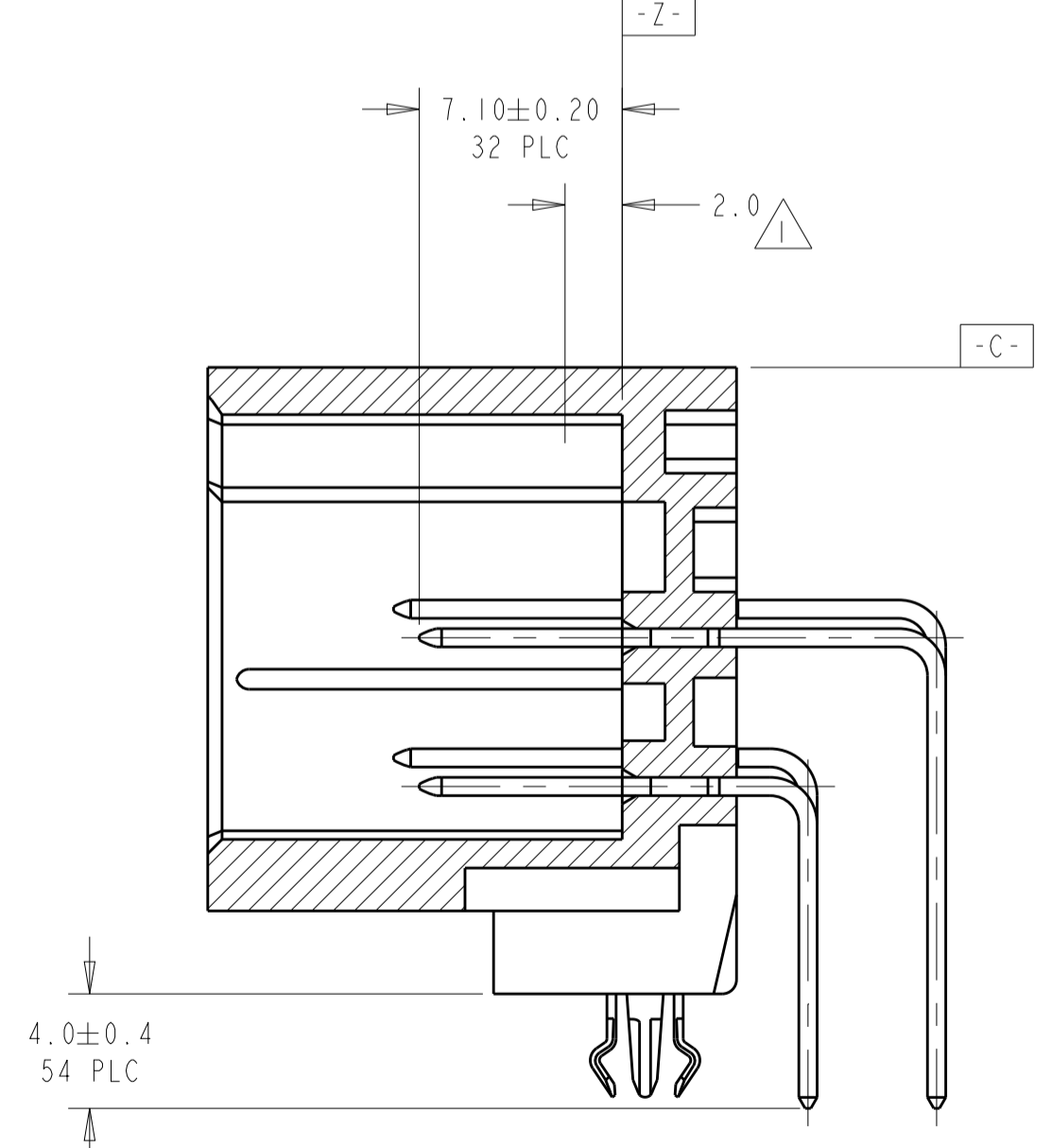
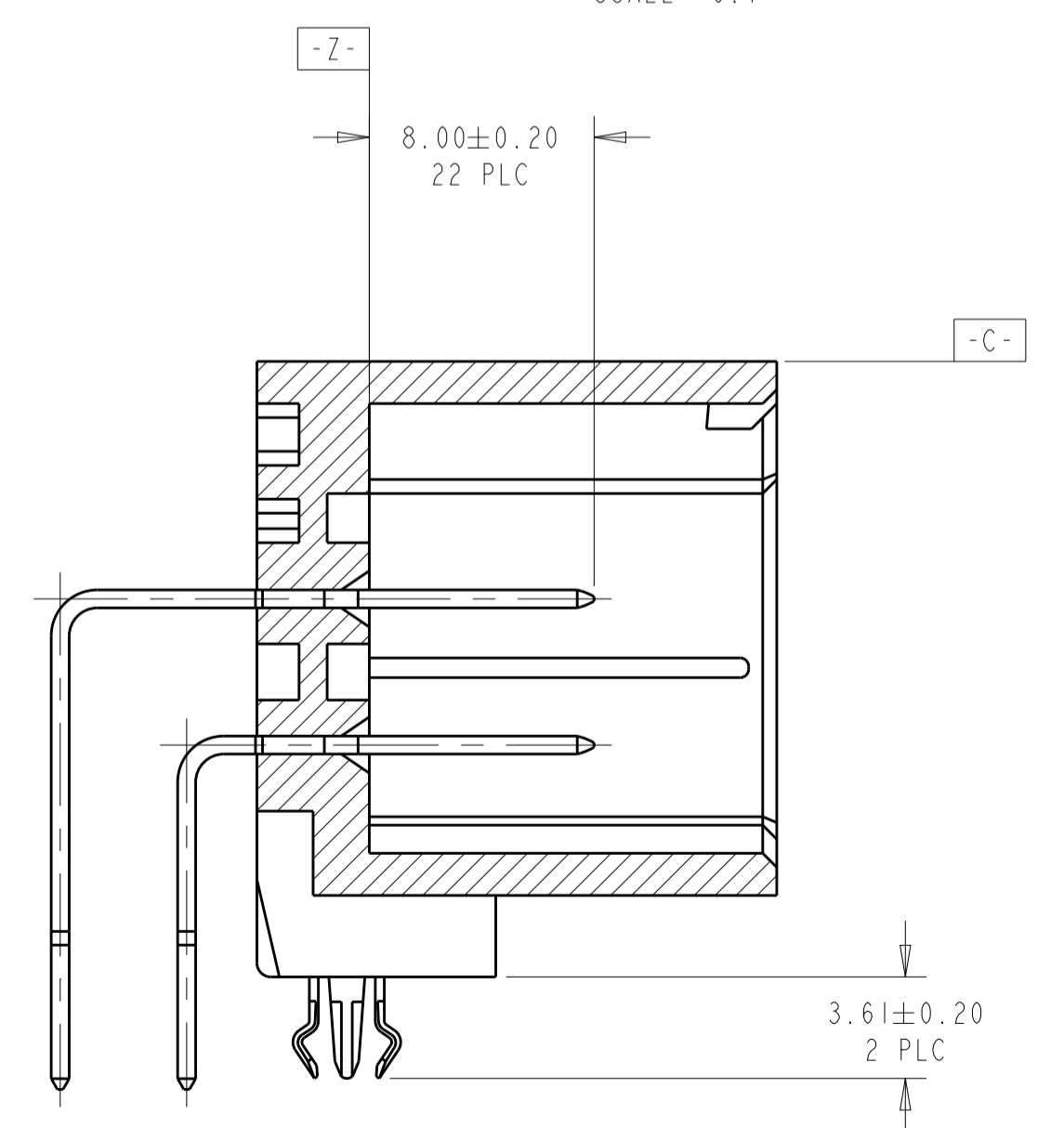
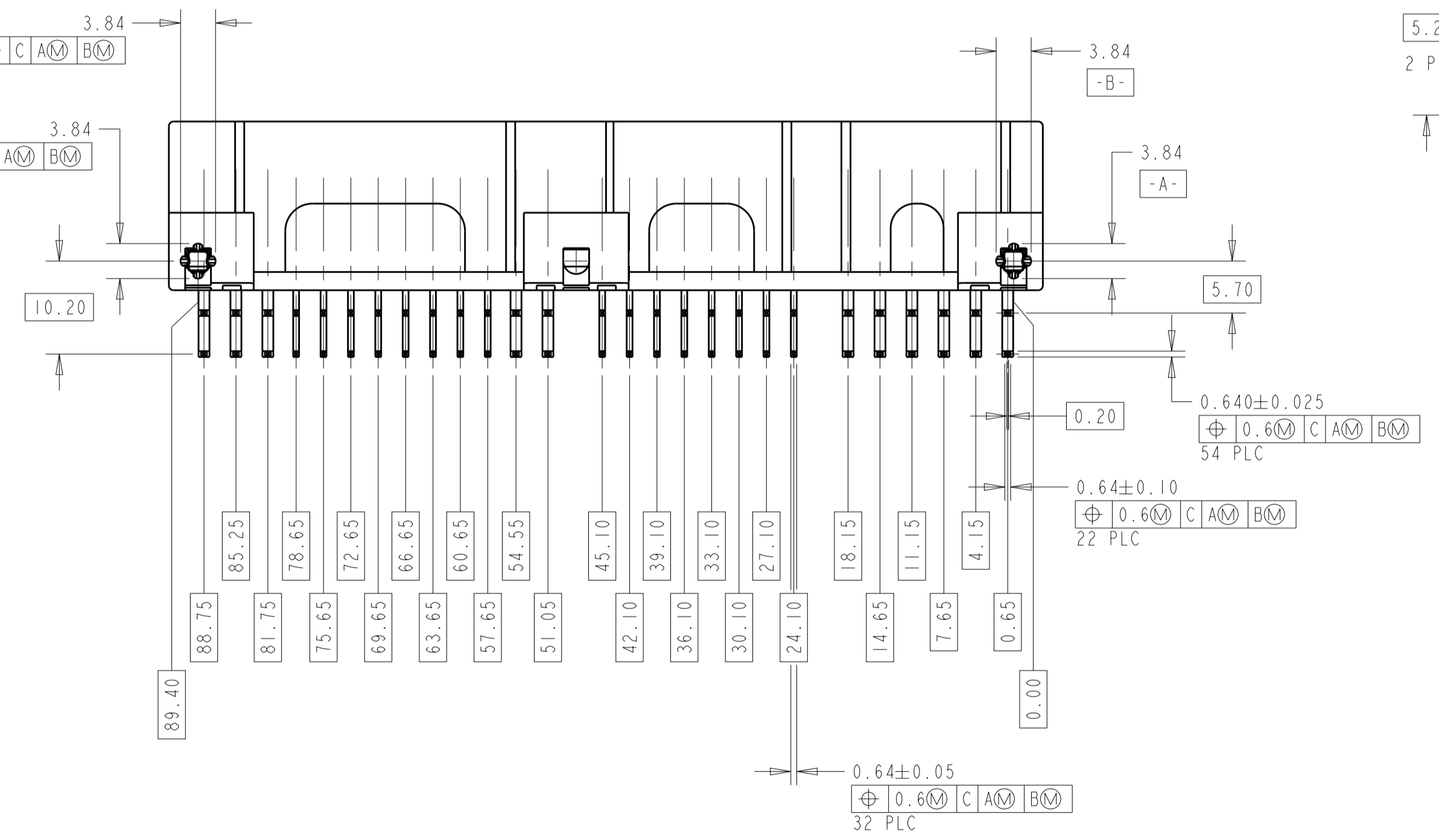
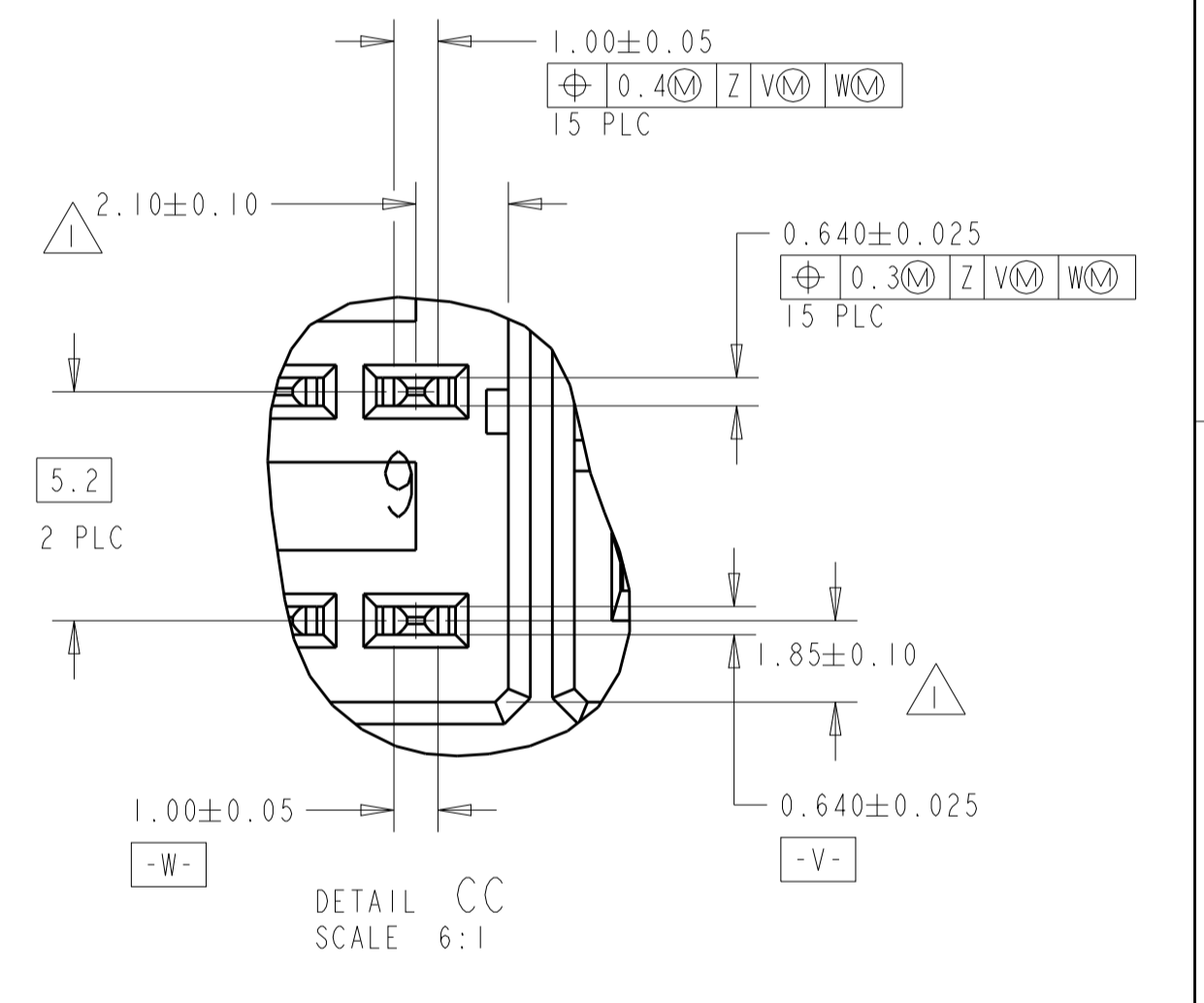
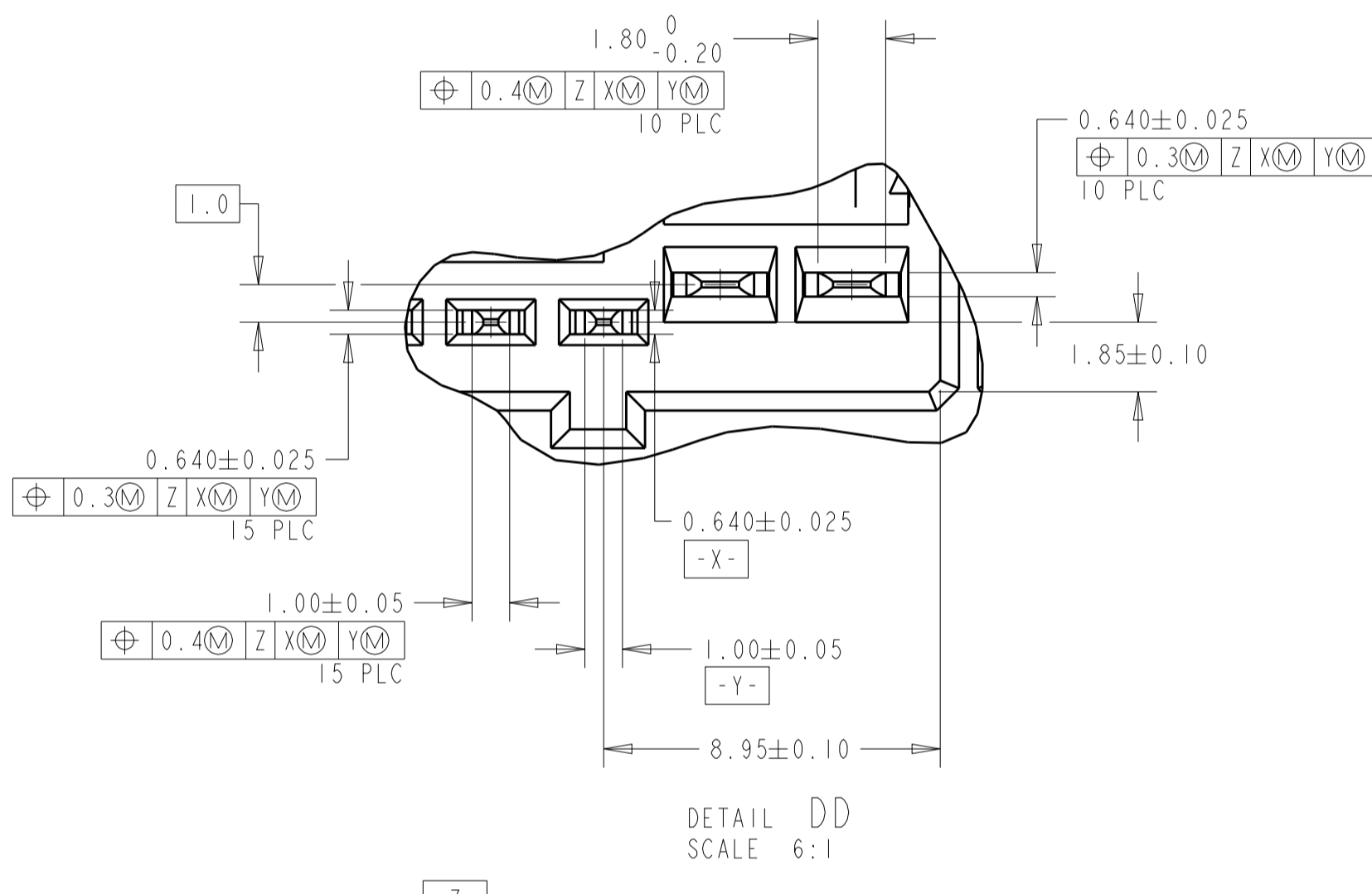
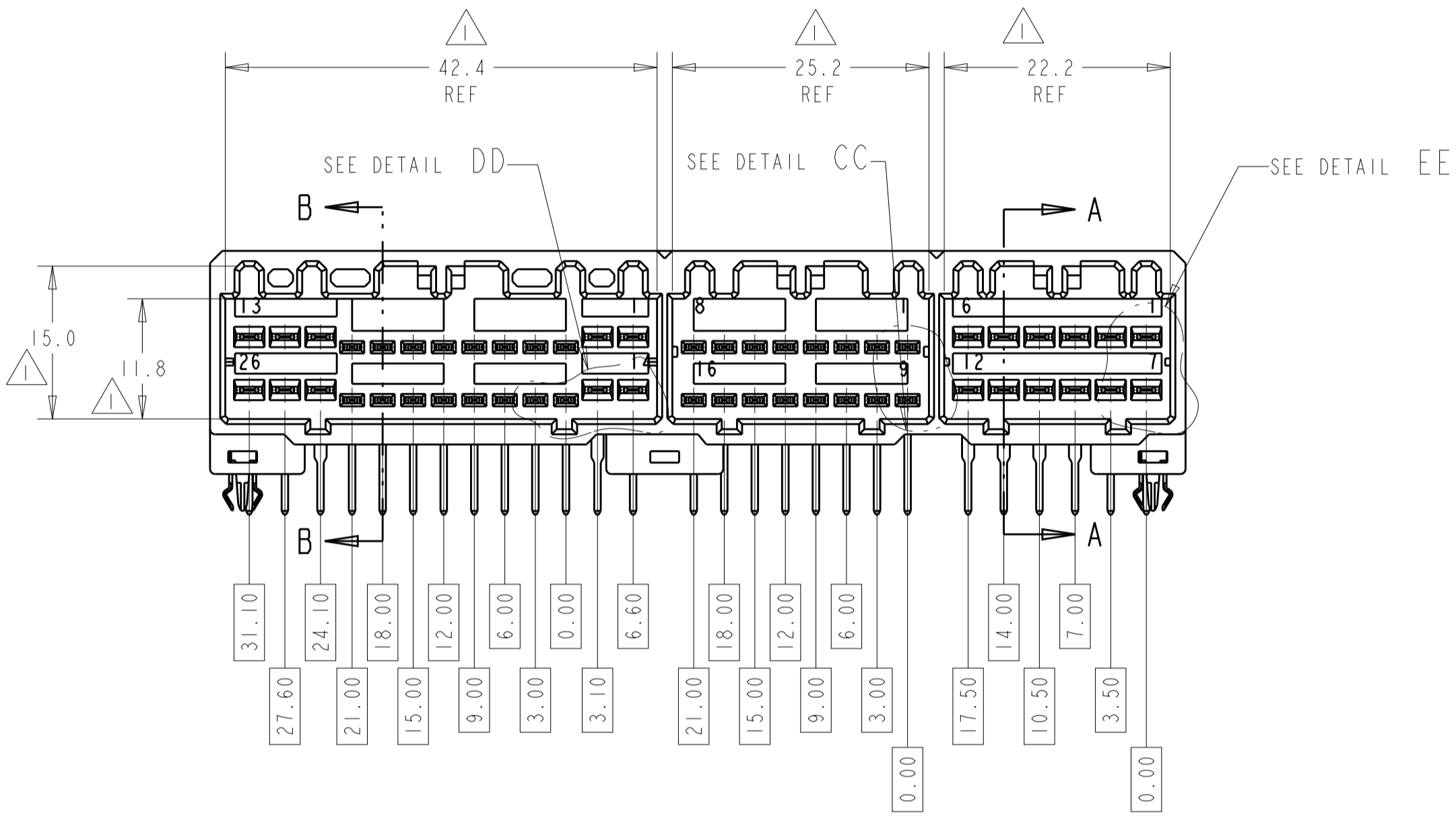
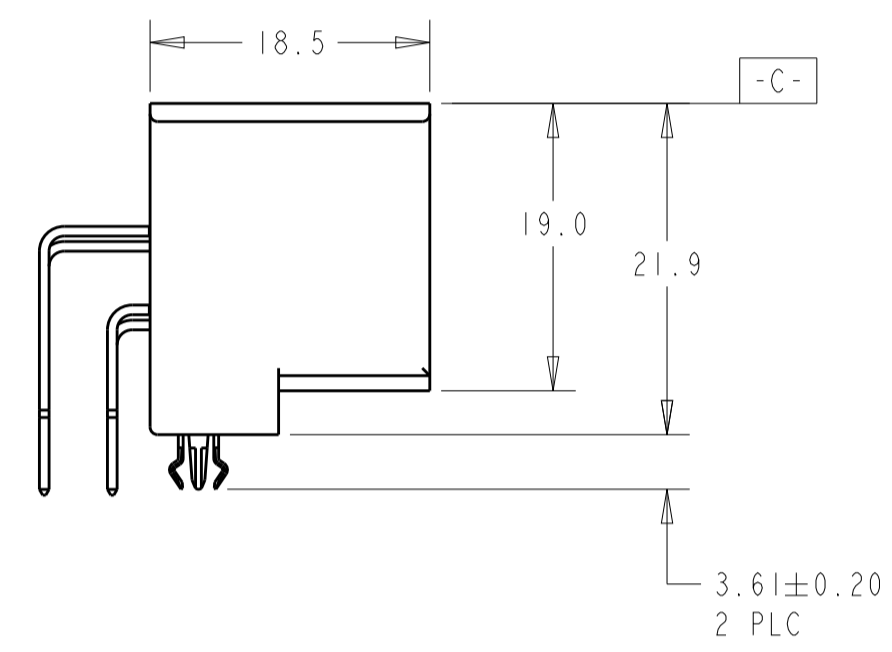
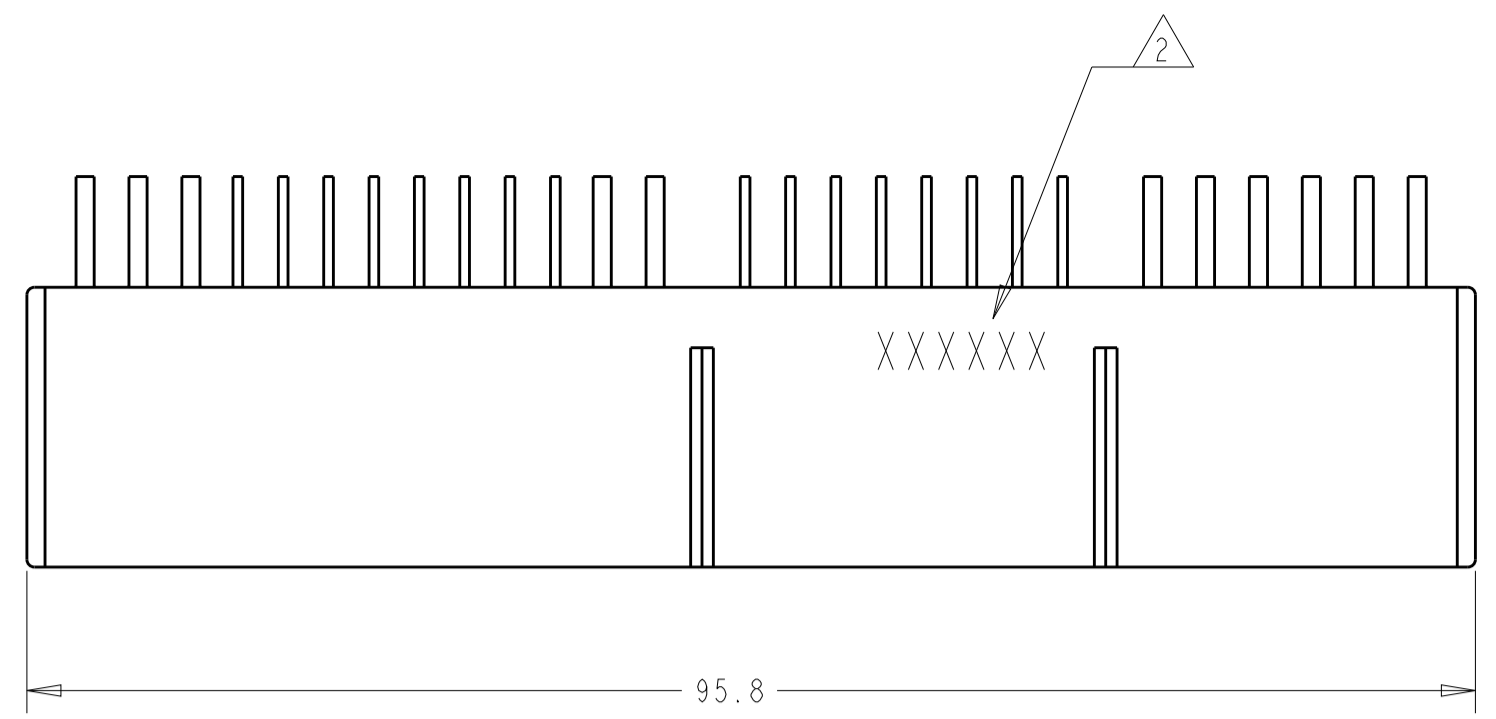
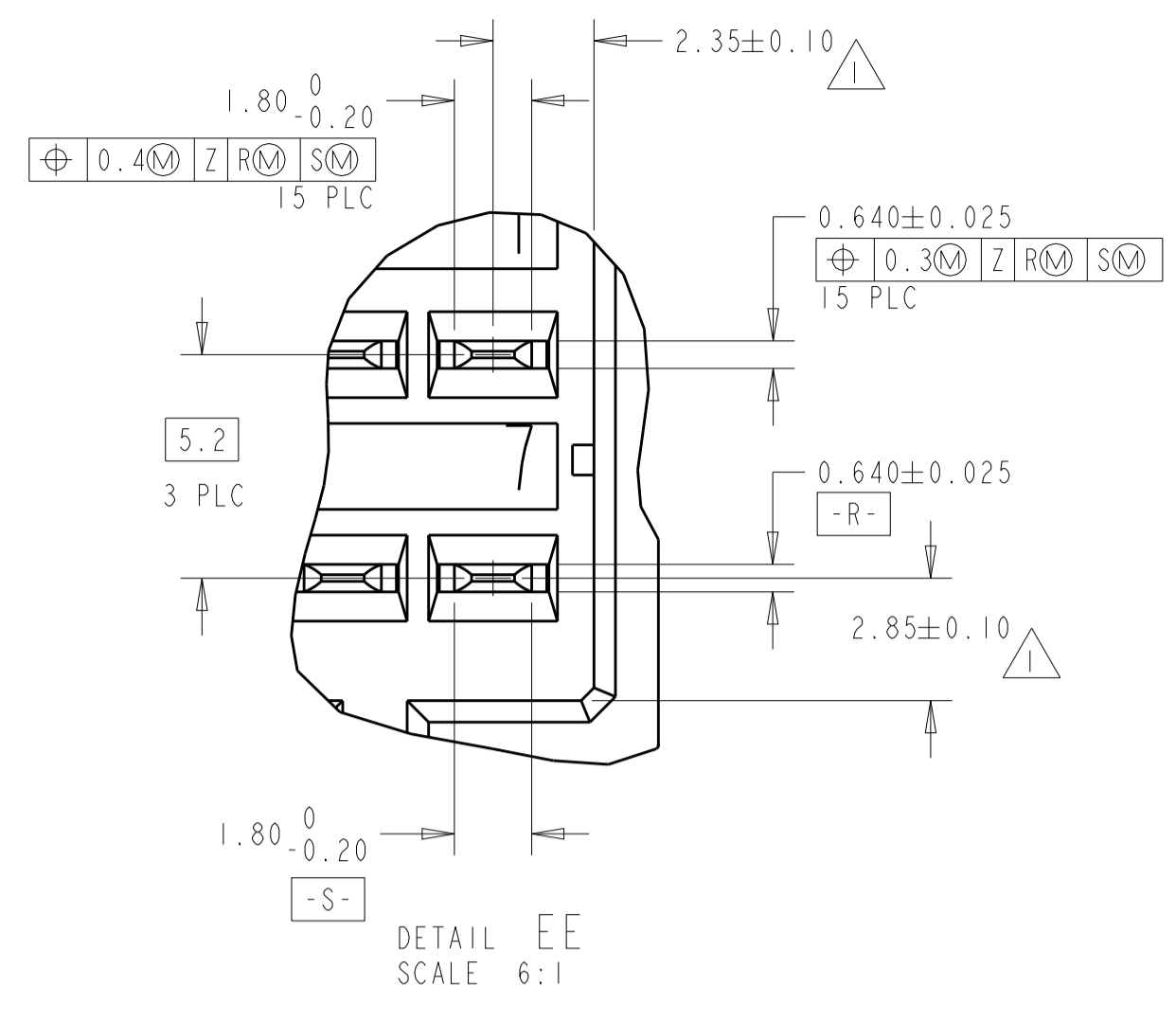
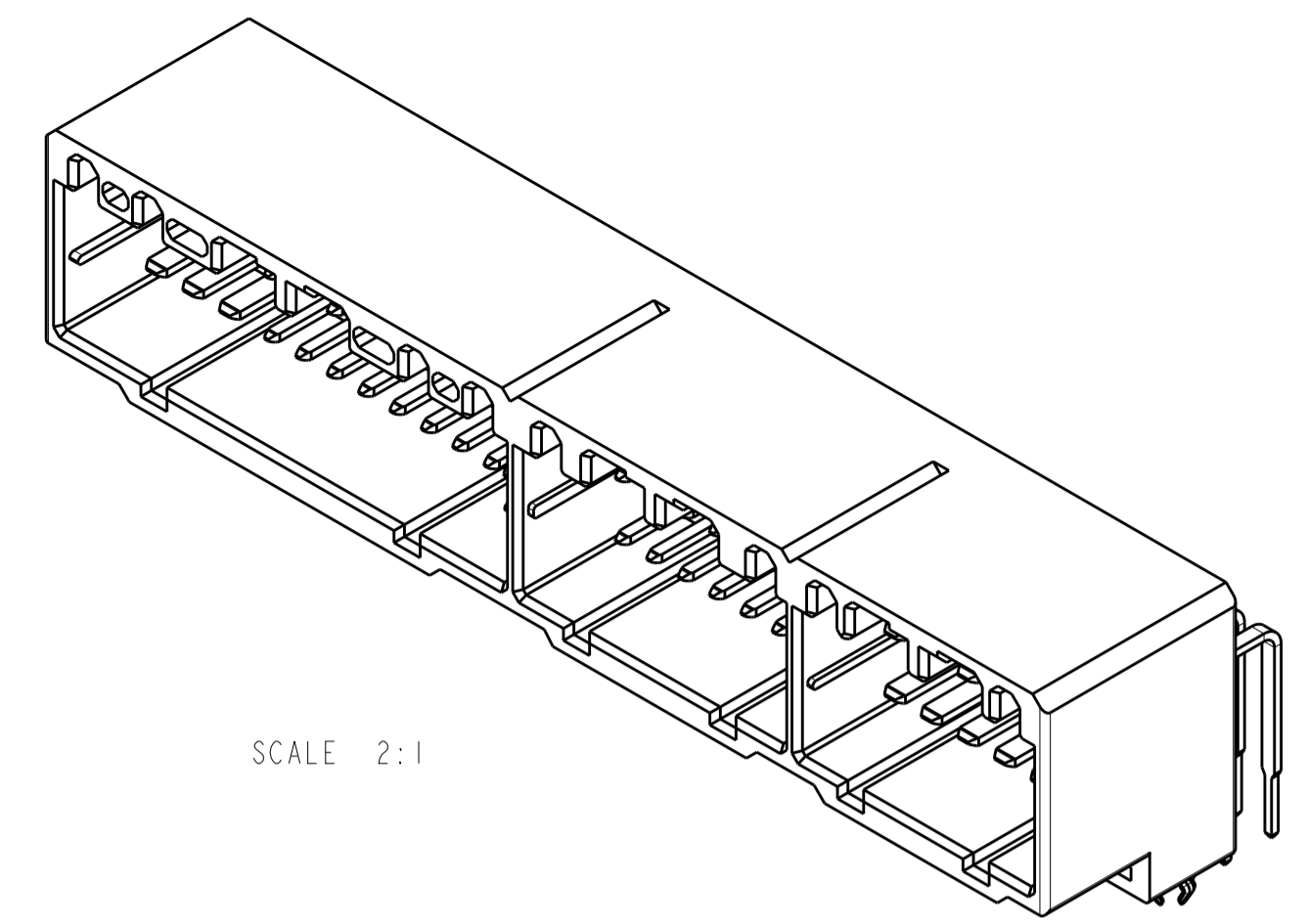


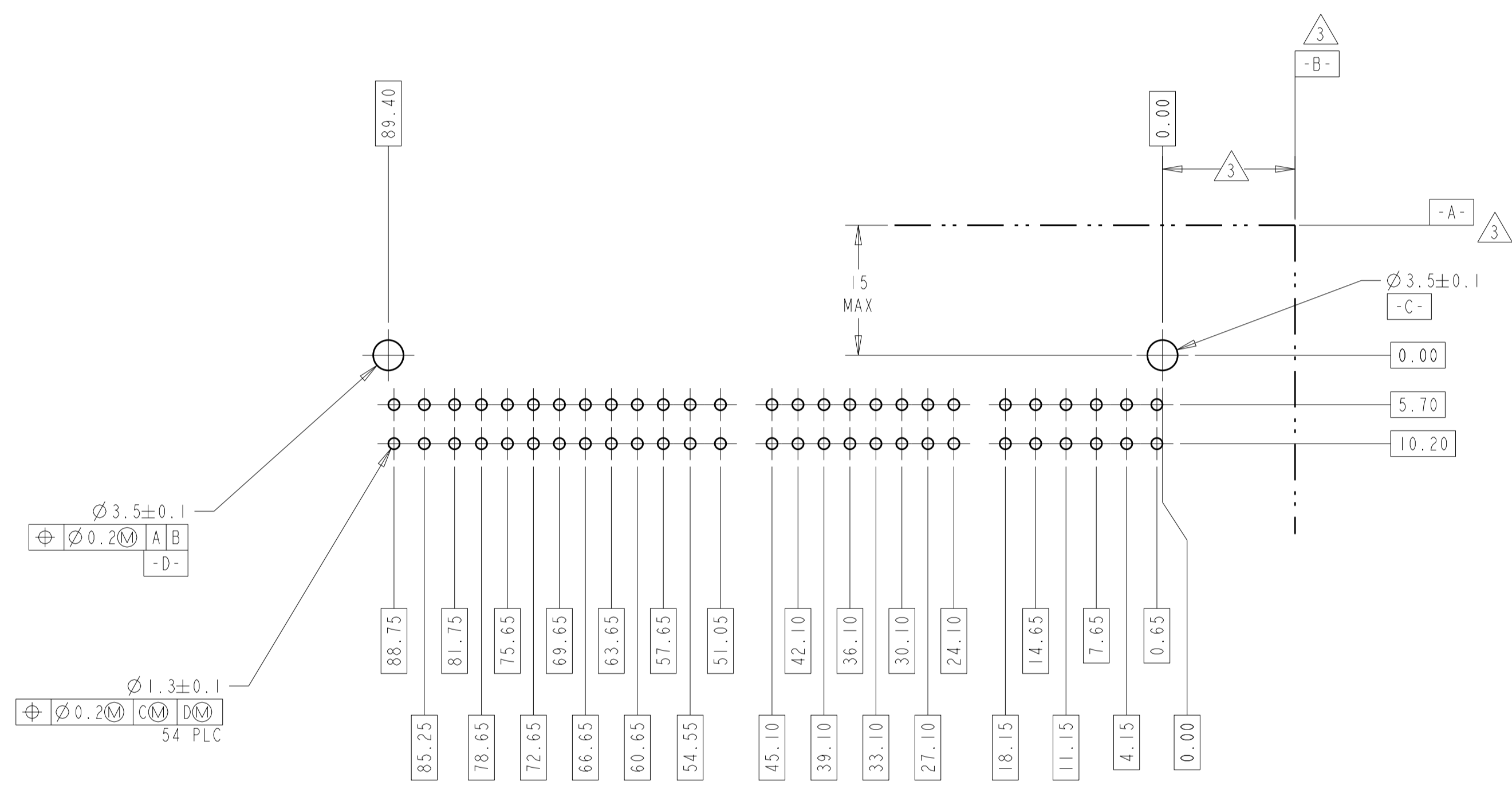
| REVISIONS |      |                        |           |            |
|-----------|------|------------------------|-----------|------------|
| P.        | LTN. | DESCRIPTION            | DATE      | DWN. APVD. |
| B2        |      | REVISED PER ECO-009355 | 23JUN2015 | DD MM      |

1 DIMENSION MUST BE HELD BETWEEN -Z- AND 2mm FROM -Z-  
 2 DATE CODE  
 3 DATUMS AND BASIC DIMENSIONS ESTABLISHED BY CUSTOMER.  
 4. MATING PLUGS ARE 12 POSN: 917978  
 16 POSN: 917981  
 26 POSN: 917992



|                                                                                                                                                                                                                                                                                                                                                                                                                                        |                    |                |                  |       |                  |                                                                                                                                                                                                                                                                                                                         |
|----------------------------------------------------------------------------------------------------------------------------------------------------------------------------------------------------------------------------------------------------------------------------------------------------------------------------------------------------------------------------------------------------------------------------------------|--------------------|----------------|------------------|-------|------------------|-------------------------------------------------------------------------------------------------------------------------------------------------------------------------------------------------------------------------------------------------------------------------------------------------------------------------|
| POST TIN                                                                                                                                                                                                                                                                                                                                                                                                                               | BRASS              | POST-TIN       | BRASS            | GRAY  | PBT              | 9-638258-6                                                                                                                                                                                                                                                                                                              |
| POST TIN                                                                                                                                                                                                                                                                                                                                                                                                                               | BRASS              | PRE-TIN        | BRASS            | GRAY  | PBT              | 638258-6                                                                                                                                                                                                                                                                                                                |
| BOARDLOCK FINISH                                                                                                                                                                                                                                                                                                                                                                                                                       | BOARDLOCK MATERIAL | CONTACT FINISH | CONTACT MATERIAL | COLOR | HOUSING MATERIAL | PART NUMBER                                                                                                                                                                                                                                                                                                             |
| THIS DRAWING IS A CONTROLLED DOCUMENT.<br>DIMENSIONS: mm<br>TOLERANCES UNLESS OTHERWISE SPECIFIED:<br>0 PLC ±0.3<br>1 PLC ±0.3<br>2 PLC ±0.15<br>3 PLC ±0.15<br>4 PLC ±0.15<br>ANGLES ±°                                                                                                                                                                                                                                               |                    |                |                  |       |                  | DWN S. EKKER 08OCT98<br>CHK R. SMITH 08OCT98<br>APVD R. SMITH 08OCT98<br>PRODUCT SPEC 108-5280<br>APPLICATION SPEC<br>WEIGHT 26.35<br>CUSTOMER DRAWING                                                                                                                                                                  |
| MATERIAL FINISH SEE TABLE<br>DIMENSIONS: mm<br>TOLERANCES UNLESS OTHERWISE SPECIFIED:<br>0 PLC ±0.3<br>1 PLC ±0.3<br>2 PLC ±0.15<br>3 PLC ±0.15<br>4 PLC ±0.15<br>ANGLES ±°                                                                                                                                                                                                                                                            |                    |                |                  |       |                  | NAME 040/070 CAP ASSEMBLY, 54 POSITION HORIZONTAL, WITH BOARDLOCKS<br>SIZE A1<br>CAGE CODE 00779<br>DRAWING NO. C=638258<br>RESTRICTED TO SHEET 1 OF 2 REV B2                                                                                                                                                           |
| POST TIN BRASS POST-TIN BRASS GRAY PBT 9-638258-6<br>POST TIN BRASS PRE-TIN BRASS GRAY PBT 638258-6<br>BOARDLOCK FINISH BOARDLOCK MATERIAL CONTACT FINISH CONTACT MATERIAL COLOR HOUSING MATERIAL PART NUMBER<br>THIS DRAWING IS A CONTROLLED DOCUMENT.<br>DIMENSIONS: mm<br>TOLERANCES UNLESS OTHERWISE SPECIFIED:<br>0 PLC ±0.3<br>1 PLC ±0.3<br>2 PLC ±0.15<br>3 PLC ±0.15<br>4 PLC ±0.15<br>ANGLES ±°<br>MATERIAL FINISH SEE TABLE |                    |                |                  |       |                  | DWN S. EKKER 08OCT98<br>CHK R. SMITH 08OCT98<br>APVD R. SMITH 08OCT98<br>PRODUCT SPEC 108-5280<br>APPLICATION SPEC<br>WEIGHT 26.35<br>CUSTOMER DRAWING<br>NAME 040/070 CAP ASSEMBLY, 54 POSITION HORIZONTAL, WITH BOARDLOCKS<br>SIZE A1<br>CAGE CODE 00779<br>DRAWING NO. C=638258<br>RESTRICTED TO SHEET 1 OF 2 REV B2 |

| REVISIONS |              |             |      |          |
|-----------|--------------|-------------|------|----------|
| P.        | LTN          | DESCRIPTION | DATE | OWN APVD |
| -         | SEE SHEET 11 |             |      |          |
|           |              |             |      |          |
|           |              |             |      |          |



P.C. BOARD LAYOUT

|                                                                                                                                                        |                  |                                                                                                                 |                                                  |
|--------------------------------------------------------------------------------------------------------------------------------------------------------|------------------|-----------------------------------------------------------------------------------------------------------------|--------------------------------------------------|
| THIS DRAWING IS A CONTROLLED DOCUMENT.                                                                                                                 |                  | DWN S. EKKER 08OCT98                                                                                            | TE Connectivity                                  |
| DIMENSIONS: mm                                                                                                                                         |                  | CHK R. SMITH 08OCT98                                                                                            |                                                  |
|                                                                                                                                                        |                  | APVD R. SMITH 08OCT98                                                                                           |                                                  |
| TOLERANCES UNLESS OTHERWISE SPECIFIED:<br>0 PLC $\pm 0.3$<br>1 PLC $\pm 0.3$<br>2 PLC $\pm 0.15$<br>3 PLC $\pm$<br>4 PLC $\pm$<br>ANGLES $\pm 1^\circ$ |                  | NAME 040/070 CAP ASSEMBLY, 54 POSITION HORIZONTAL, WITH BOARDLOCKS<br>PRODUCT SPEC 108-5280<br>APPLICATION SPEC | SIZE A1<br>CAGE CODE 00779<br>DRAWING NO. 638258 |
| MATERIAL SEE TABLE                                                                                                                                     | FINISH SEE TABLE | WEIGHT 26.35                                                                                                    | RESTRICTED TO                                    |
| CUSTOMER DRAWING                                                                                                                                       |                  | SCALE 2:1                                                                                                       | SHEET 2 OF 2 REV B2                              |