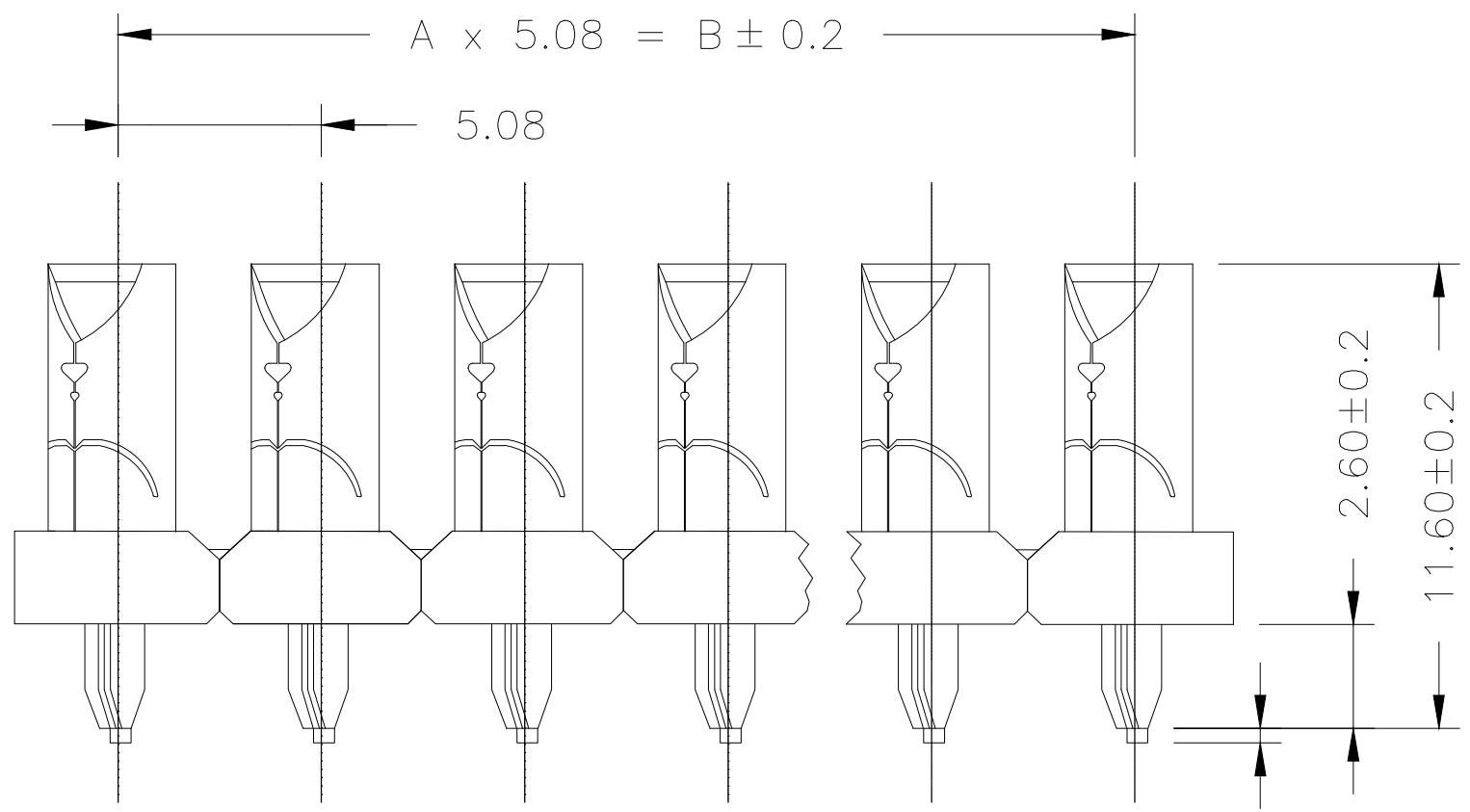
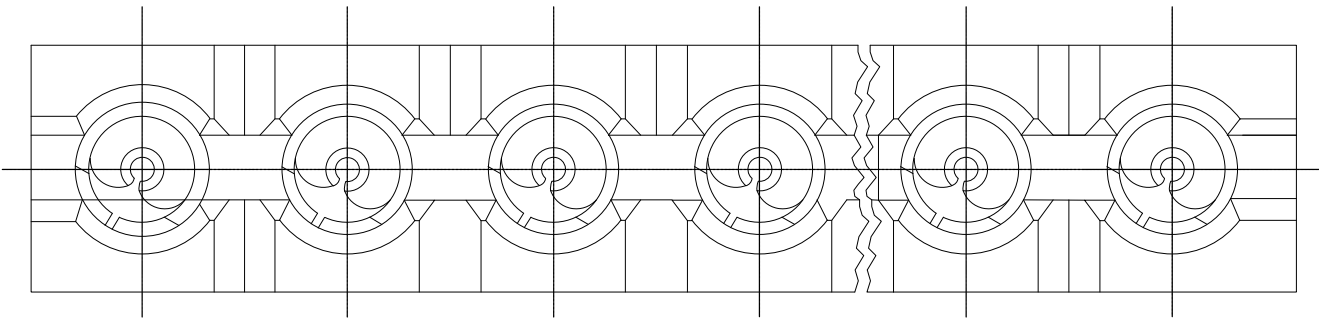
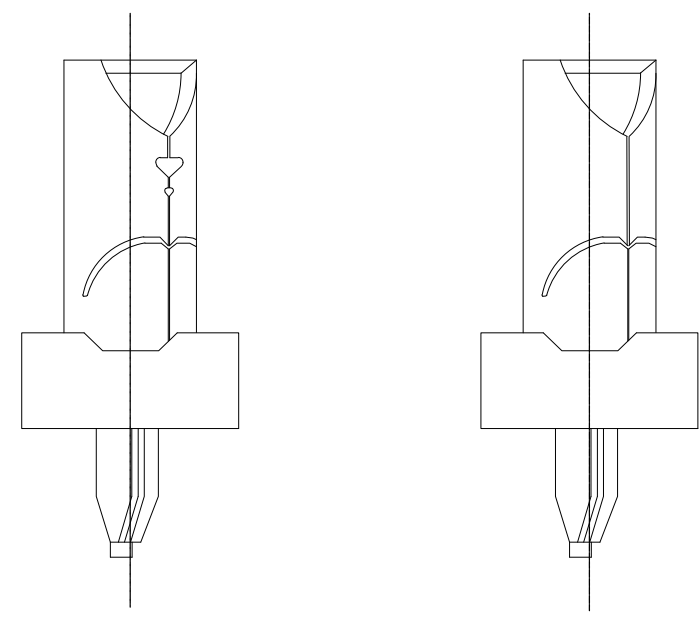


THIS DRAWING IS UNPUBLISHED. RELEASED FOR PUBLICATION JUL ,2010.
 © COPYRIGHT 2006 BY TYCO ELECTRONICS CORPORATION. ALL INTERNATIONAL RIGHTS RESERVED.

LOC	DIST	REVISIONS			
P	LTR	DESCRIPTION	DATE	DWN	APVD
A1	-				
	A	INITIAL RELEASE	28JUL2010	PKS	TK
	A1	REVISED PER ECR-18-000894	08FEB2018	DT	TD



827702-1 827702-2
 827702-3



OBSOLETE

827702-3	5	25.4	6 POS. BARREL STRIP ASS'Y
827702-2	15	76.2	16 POS. BARREL STRIP ASS'Y
827702-1			
PART NO.	A	DIM. B	DESCRIPTION

THIS DRAWING IS A CONTROLLED DOCUMENT.		DWN SENTHIL 23JUL2010	Tyco Electronics Corporation India Bangalore, India	
DIMENSIONS: mm		CHK SENTHIL 26JUL2010		
TOLERANCES UNLESS OTHERWISE SPECIFIED:		APVD T.KLENNER 28JUL2010	NAME 6/16 POS. BARREL STRIP ASSY 16 POL. BARREL TRAEGERSTREIFEN, BESTUECKT	
0 PLC ± - 1 PLC ± - 2 PLC ± 0.1 3 PLC ± - 4 PLC ± - ANGLES ± 2°		PRODUCT SPEC 108-6025	RESTRICTED TO	
MATERIAL		APPLICATION SPEC 114-6000	SIZE A3	CAGE CODE 00779
FINISH		WEIGHT -	DRAWING NO C-827702	SCALE 5:1
CUSTOMER DRAWING			SHEET 1 OF 1	REV A1