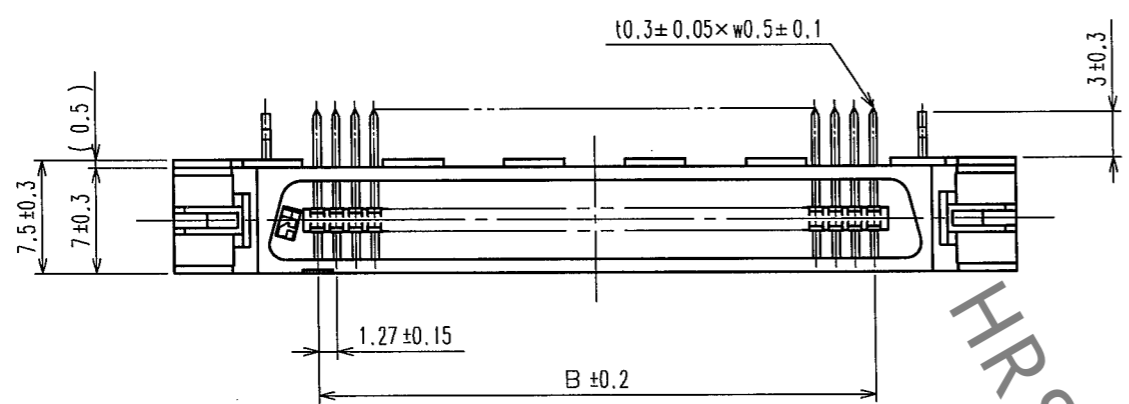
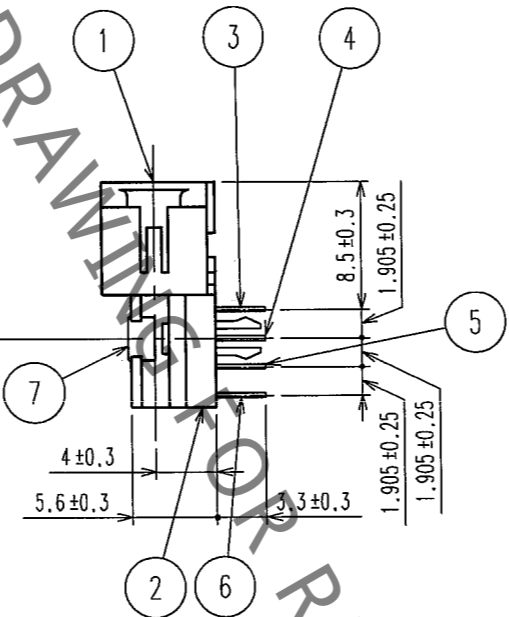
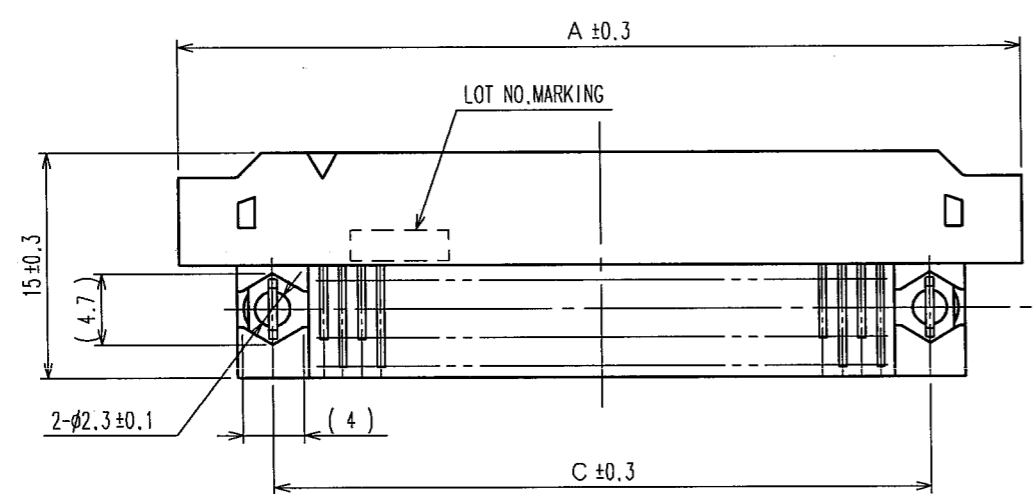
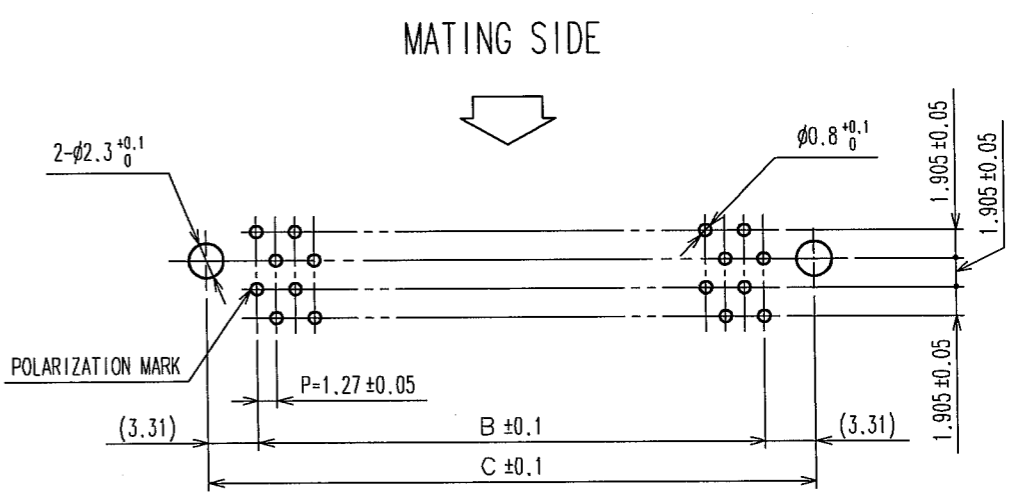


| COUNT | DESCRIPTION OF REVISIONS | BY | CHKD | DATE | COUNT | DESCRIPTION OF REVISIONS | BY | CHKD | DATE |
|-------|--------------------------|----|------|------|-------|--------------------------|----|------|------|
| | | | | | | | | | |
| | | | | | | | | | |
| | | | | | | | | | |

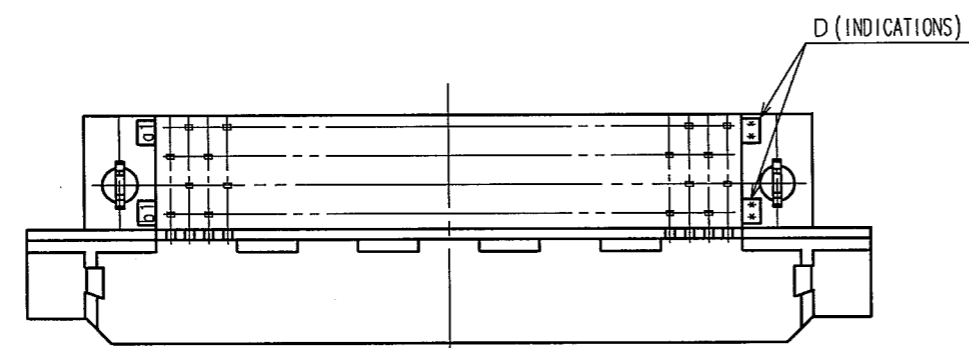
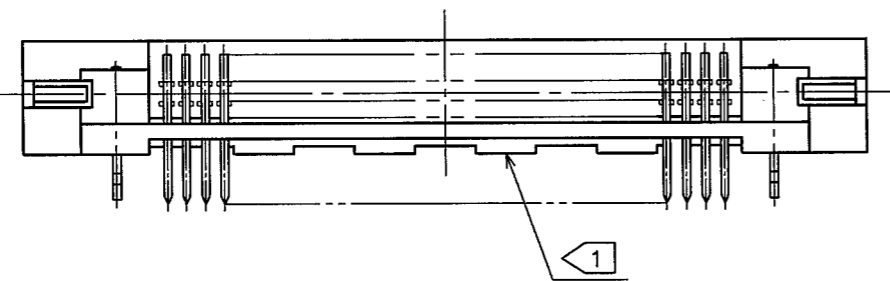


RECOMMEND PC BOARD HOLE PATTERN (MOUNTING SIDE)



| PART No. | CODE No. | 3 | A | B | C | D |
|-----------------------|-----------------|-----|-------|-------|-------|----|
| FX2B-20P-1.27DSL(71) | CL572-0751-8-71 | 20 | 30.33 | 11.43 | 18.05 | 10 |
| FX2B-32P-1.27DSL(71) | CL572-0752-0-71 | 32 | 37.95 | 19.05 | 25.67 | 16 |
| FX2B-40P-1.27DSL(71) | CL572-0753-3-71 | 40 | 43.03 | 24.13 | 30.75 | 20 |
| FX2B-52P-1.27DSL(71) | CL572-0754-6-71 | 52 | 50.65 | 31.75 | 38.37 | 26 |
| FX2B-60P-1.27DSL(71) | CL572-0755-9-71 | 60 | 55.73 | 36.83 | 43.45 | 30 |
| FX2B-68P-1.27DSL(71) | CL572-0756-1-71 | 68 | 60.81 | 41.91 | 48.53 | 34 |
| FX2B-80P-1.27DSL(71) | CL572-0757-4-71 | 80 | 68.43 | 49.53 | 56.15 | 40 |
| FX2B-100P-1.27DSL(71) | CL572-0758-7-71 | 100 | 81.13 | 62.23 | 68.85 | 50 |

- NOTES
 1. STANDOFF DIFFERS ACCORDING TO PRODUCTS.
 2. THE DIMENSIONS IN PARENTHESES ARE FOR REFERENCE.
 3. NUMBER OF PIN.



TO PCK

| | | | | | | |
|----------------|-----------------|-------------------------------|------------|-----------------------|--------------------------------|----------|
| 7 | PHOSPHOR BRONZE | TIN-PLATING | 3~6 | PHOSPHOR BRONZE | CONTACT AREA: GOLD 0.2μ m min | |
| 1, 2 | POLYAMIDE | BLACK | UL94V-0 | | DIP AREA: TIN-PLATING 2μ m min | |
| NO. | MATERIAL | FINISH, | REMARKS | NO. | UNDER PLATING: NICKEL 2μ m min | |
| | | | | | | |
| CODE NO. (OLD) | CL | DRAWN | DESIGNED | CHECKED | APPROVED | RELEASED |
| | | I.OKAYAMA | K.NAKAMURA | H.OKAWA | H.OKAWA | |
| | | 04.06.02 | 04.06.02 | 04.06.14 | 04.06.14 | |
| SCALE | FREE | DRAWING NO. | | PART NO. | | |
| UNITS | mm | EDC3-082284-21 | | FX2B-***P-1.27DSL(71) | | |
| | | HRS HIROSE ELECTRIC CO., LTD. | | CODE NO. | | 1/1 |
| | | | | CL572 | | |