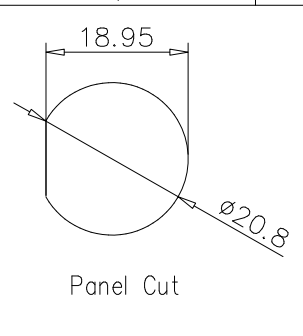
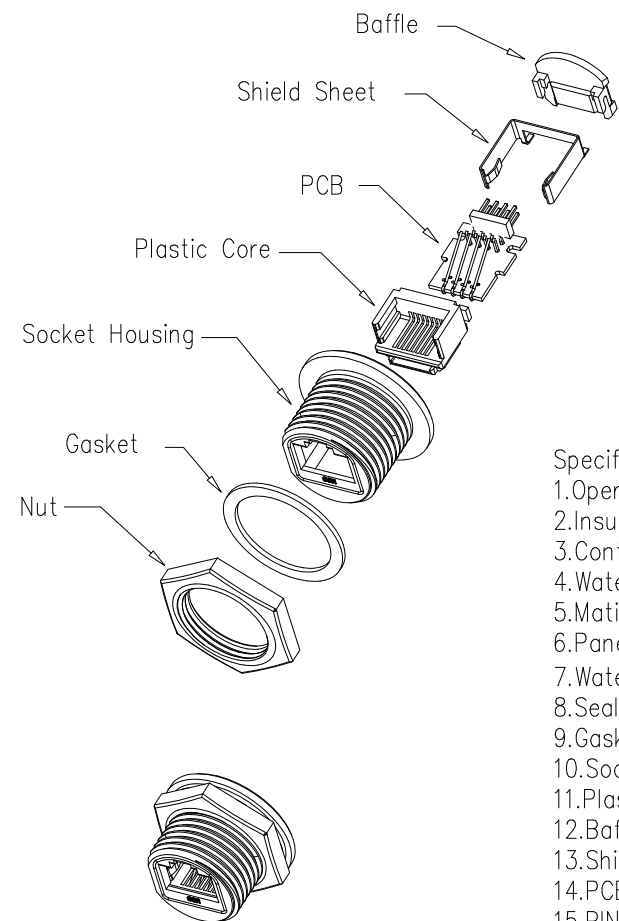
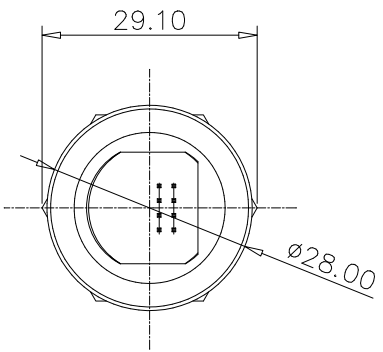
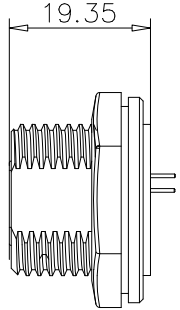
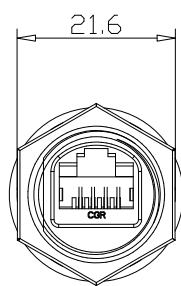


THIS INFORMATION IS CONFIDENTIAL AND IS DISCLOSED TO YOU ON CONDITION THAT NO FURTHER DISCLOSURE IS MADE BY YOU TO OTHER THAN CHOGORI PERSONNEL WITHOUT AUTHORIZATION FROM CHOGORI CORP.

REV.	ECN NO.	DESCRIPTION	SIGN	DATE
C1	N/A	Initial Drawing	Xinkunfu	2019/08/13



Panel Thickness Max4.0mm



- Specification:
- 1.Operation Temperature: -40°C~85°C.
 - 2.Insulation Resistance:100MΩ at DC500V.
 - 3.Contact Resistance:<30mΩ.
 - 4.Waterproof:IP67.
 - 5.Mating Cycles:500 Cycles.
 - 6.Panel Thickness≤4.0mm.
 - 7.Waterproof Rate:IP67(Mated)
 - 8.Seal Nut:Nylon, Black
 - 9.Gasket:Silicon, Gray.
 - 10.Socket Housing:Nylon, Black
 - 11.Plastic Core:CCP PBT, Black
 - 12.Baffle:Nylon, Black
 - 13.Shield Sheet :Ni Plated
 - 14.PCB:Assembly Parts.
 - 15.PIN:Gold-plating.
 - 16.Mated Cap Part Number:806-00003-00.
 - 17.RoHS Compliant.

UNIT:mm	
TOLERANCE	
.X	±0.25
.XX	±0.15
.XXX	±0.05
ANGLES	±1°

DESCRIPTION RJ45 PCB Panel Mount(Screw)			
SCALE: 1:1	SHEET 1 OF 1		
REV. C1	SIZE A4	* :Inspection Item	

CHOGORI

PART NO 33000000-07	DRAWN BY Xinkunfu	DATE 2019/08/13
DWG NO	CHECKED BY Allen	DATE 2019/08/13
CUSTOMER	APPROVED BY Panson	DATE 2019/08/13