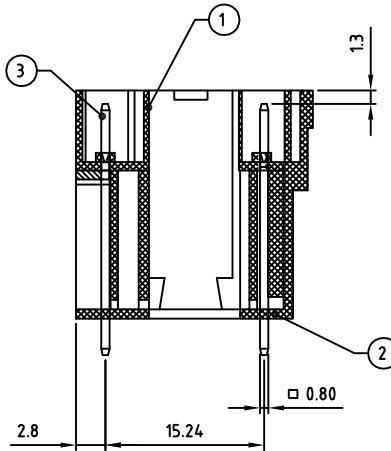
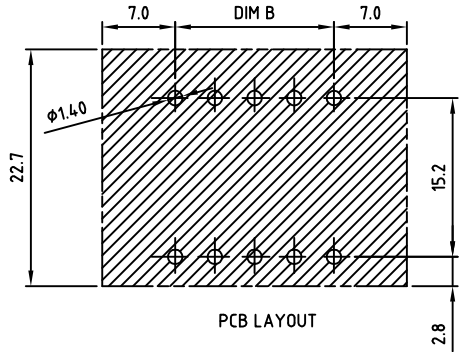
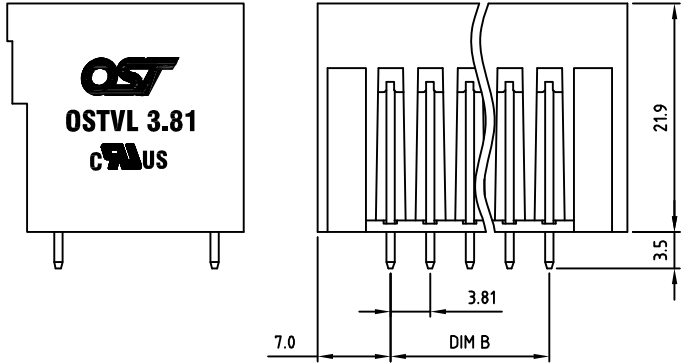
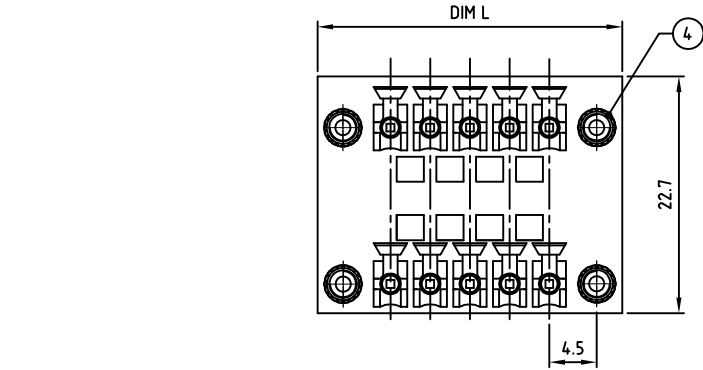


Transfer or duplication of this document as well as the utilisation or communication of its content are not permitted unless express consent is granted. Violations give rise to claims for damages. All rights reserved in case of patent, utility model or design patent registrations.



Technical data

1. Nominal voltage: 300V/8A
PITCH: 3.81mm
2. Insulation Withstanding Voltage:
AC 1600V/MIN
3. Insulation Resistance:
1000M Ω or more at DC500V
4. Operating temperature range: -40°C ~ 115°C
5. Soldering temperature range: 250°C \pm 10°C / 5sec
6. Safety approval:
7. RoHS Compliance
8. Undimensioned Tolerances:

Dim.L=(1/2P-1)x3.81+16.2		
Dim.B=(1/2P-1)x3.81		
P= number of poles 4-48P		
	Dim B	Dim L
0-30mm	± 0.15	± 0.20
over 30mm-60mm	± 0.20	± 0.25
over 60mm-90mm	± 0.25	± 0.30
over 90mm	± 0.30	± 0.40

Part No.:

OSTVLXX3250

No. of Poles	COLOR
02 2 Poles	0: Black
03 3 Poles	2: Red
...	3: Orange
24 24 Poles	4: Yellow
	5: Green (Standard)
	6: Blue
	8: Grey

Nonstandard colors
Mins could apply

4	FLANGE NUT	BRASS		4
3	PIN	BRASS	TIN PLATED	P
2	COVER	PA66 UL94V-0		1
1	BODY	PA66 UL94V-0		1
ITEM	NAME OF PART	MATERIAL	NOTES	Q"TY
DWG	Marvin Zhang	DATE 2016.05.21	UNITS: MM SHEET: 1 OF 1	Tolerance
CHK.	Marvin Zhang	DATE 2017.10.24	SCALE: NONE 3:1 (:) REV: A	X. ± 0.50
APP.		DATE	TITLE: OSTVL 3.81 Series W/F type Vertical (180D)	X.XX ± 0.30
			PART NO. OSTVLXX3250	X* $\pm 1^{\circ}$
			DWG NO. OSTVLXX3250.dwg	

SIGN	DESCRIPTION	CHK.	DATE



ON-SHORE TECHNOLOGY, INC.