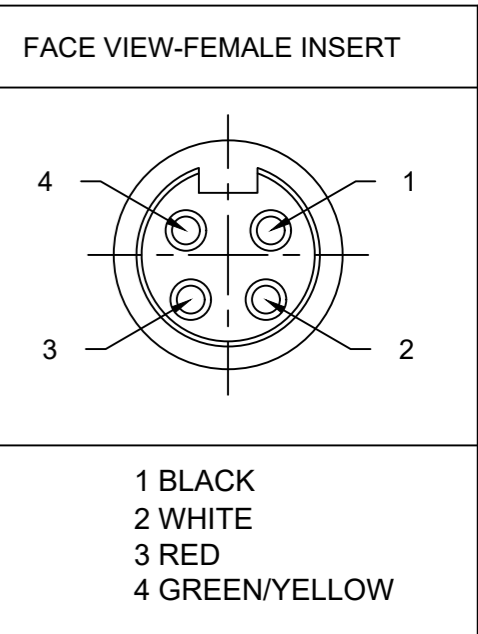


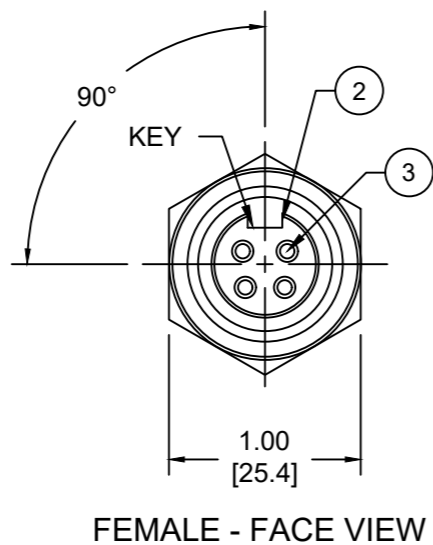
PART NO	ENGINEERING NO.	FINISHED LENGTH
1300130291	1R4000A20M010	1M [3 FT 3 IN]
1300130293	1R4000A20M015	1.5M [4 FT 11 IN]
1300130294	1R4000A20M020	2M [6 FT 7 IN]
1300130295	1R4000A20M030	3M [9 FT 10 IN]
1300130296	1R4000A20M050	5M [16 FT 5 IN]
1300130287	1R4000A20F020	2 FT [ 0.6M]

PART NO. MATRIX  
1R4000A20M010

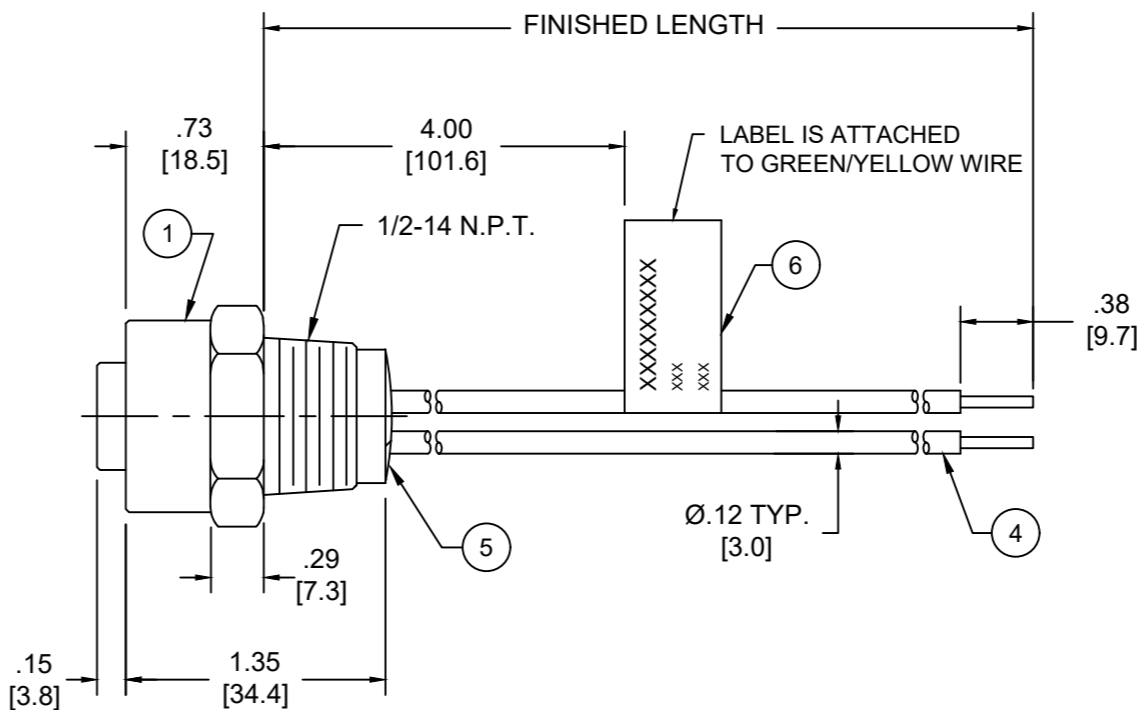
FINISHED LENGTH:  
A120= 12 IN.  
F020= 2 FEET  
M005= 0.5 METER  
M010= 1 METER  
M100= 10 METER



1 BLACK  
2 WHITE  
3 RED  
4 GREEN/YELLOW



FEMALE - FACE VIEW

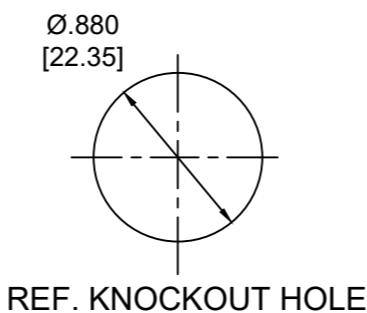


NOTES:

1. MATERIAL: AS NOTED
2. FINISH: AS NOTED
3. ELECTRICAL:  
VOLTAGE: 483V PER IEC60664  
600V PER UL2238  
CURRENT: 10A
4. TEMP RATING: -20°TO +105°C
5. PROTECTION: IP67 (WHEN MATED)
6. COUPLING THREAD: 7/8-16UN
7. CSA CERTIFIED FILE: LR6837
8. ALL DIMENSIONS ARE FOR REFERENCE  
UNLESS TOLERANCED OR NOTED OTHERWISE

CABLE LENGTH TOLERANCES	
<.3M [1FT]:	+19mm-0 [+ .75in-0]
.3 - .9M [1 - 3FT]:	+44.5mm-0 [+1.75in-0]
.9 - 1.8M [3 - 6FT]:	+55.6mm-0 [+2.19in-0]
1.8 - 3.7M [6 - 12FT]:	+88.9mm-0 [+3.50in-0]
3.7 - 7.3M [12 - 24FT]:	+165.1mm-0 [+6.50in-0]
7.3-14.6M [24 - 48FT]:	+317.5mm-0 [+12.50in-0]
14.6 - 30.5M [48-100FT]:	+622.3mm-0 [+24.50in-0]
OVER 30M [100FT]	+2% OF FINISHED LENGTH

ITEM	DESCRIPTION	MATERIAL	FINISH
6	FLAG LABEL	VINYL	BLACK/YELLOW
5	POTTING MATERIAL	EPOXY	
4	WIRE, 16 AWG (UL1015)	PVC INSULATION	SEE FACE VIEW
3	CONTACT SOCKET	COPPER ALLOY	GOLD PLATED
2	FEMALE INSERT	TPE	YELLOW
1	RECEPTACLE SHELL	ZINC DIE-CAST	NICKEL PLATED



REF. KNOCKOUT HOLE

FUNCTIONAL SYMBOLS F=0 E=0 P=0	THIS DRAWING CONTAINS INFORMATION THAT IS PROPRIETARY TO MOLEX ELECTRONIC TECHNOLOGIES, LLC AND SHOULD NOT BE USED WITHOUT WRITTEN PERMISSION		CURRENT REV DESC: INITIAL RELEASE			
	DIMENSION UNITS: INCH/MM		SCALE: NTS			EC NO: 673395 DRWN: RSTONE 2021/08/11 CHK'D: CCHRSTKA 2021/08/11 APPR: BWOODMAN 2021/08/18
	GENERAL TOLERANCES (UNLESS SPECIFIED)					
	DIVISIONAL SYMBOLS					MINI-CHANGE RECEPTACLE A-SIZE 4 POLE, FEMALE, STRAIGHT, SINGLE KEY, 16 AWG
DRAFT WHERE APPLICABLE MUST REMAIN WITHIN DIMENSIONS		THIRD ANGLE PROJECTION	DRAWING: B-SIZE	SERIES: 130013	PRODUCT CUSTOMER DRAWING DOCUMENT NUMBER: 1300130291 DOC TYPE: PSD DOC PART: 000 REVISION: A	
DOCUMENT STATUS: P1		RELEASE DATE: 2021/08/18	23:36:24	MATERIAL NUMBER: GENERAL MARKET		SHEET NUMBER: 1 OF 1