

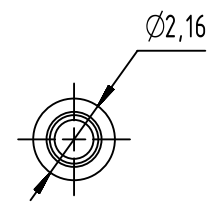
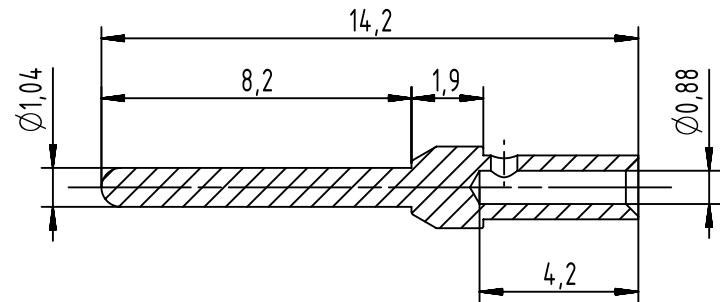
A

B

C

D

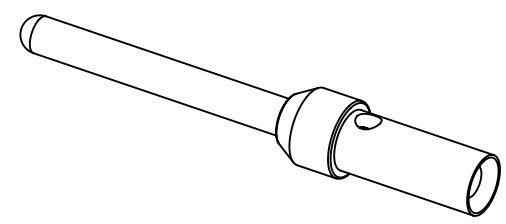
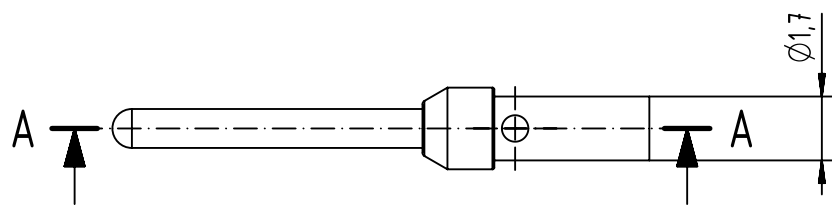
A-A



Crimping AWG 22-26

Hand tool : 09 99 000 0501

Locator: 09 99 000 0531



All Dimensions in mm Original Size DIN A4		Scale 5:1	Free size tol.		Ref.
All rights reserved Department EC PD - FR		Created by DOUGE	Inspected by DE VANSSAY	Standardisation HOFFMANN	Date 2015-06-09
HARTING Electronics GmbH D-32339 Espelkamp		Title D-Sub, MA AWG 22-26 crimp cont HMC			State Final Release
09 67 000 5570 580	PL1	5000	Doc-Key / ECM-Nr. 100189796/UGD/007/A 500000089005		
09 67 000 5570	PL1	100	Rev. A		
Part number	Gold plating (over nickel)	Bulk packaging	Type TB	Number 09670005570	Page 1/1