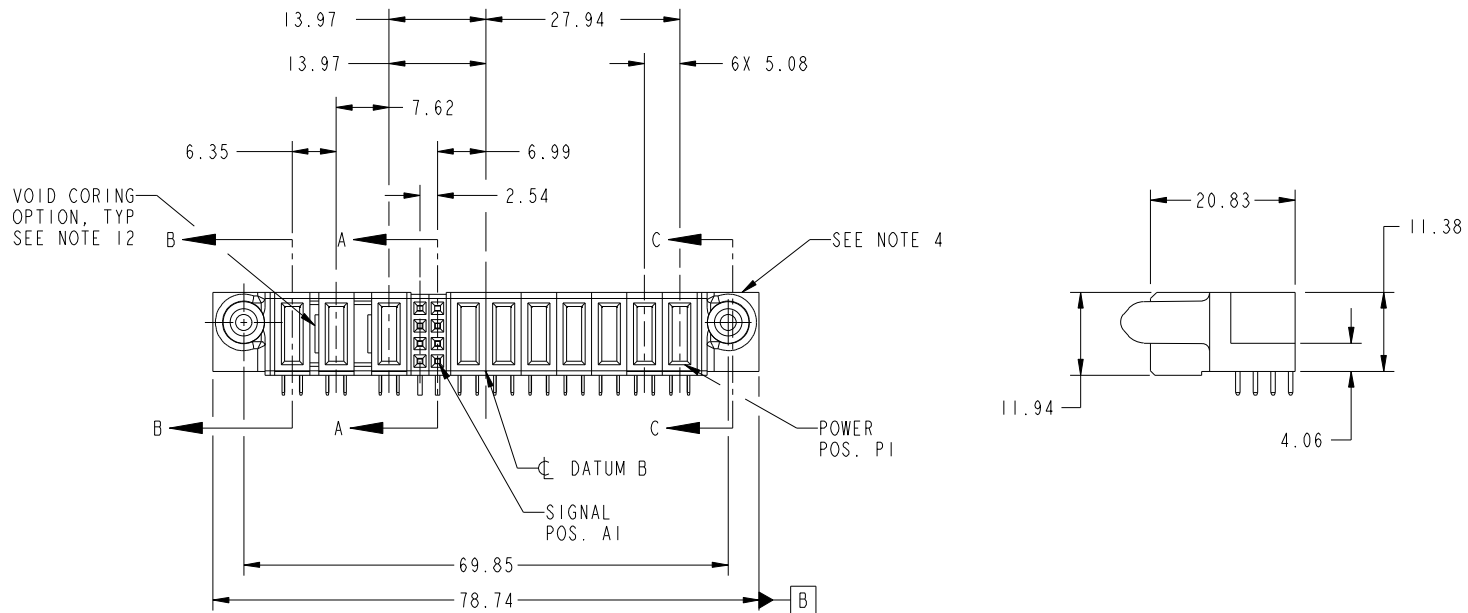


Tous droits strictement reserves. Reproduction ou communication a des tiers interdite sous quelque forme que ce soit sans autorisation écrite du propriétaire. Propriete de c FCI. Droits de reproduction FCI.



All rights strictly reserved. Reproduction or issue to third parties in any form whatever is not permitted without written authority from the proprietor. Property of FCI. Copyright FCI.

PRODUCT NO.	ROWS	POWER				S	POWER							E1	
		E2	P10	P9	P8	z	1	P7	P6	P5	P4	P3	P2		P1
51915-211-- NOTE 3	D C B A		PC	PC	PA	H H G F F E	1	PA	PC	PC	PC	PA	PA	PA	



CODE	DIM "M" MATING LENGTH	CONTACT TYPE
PC	[2.34]	POWER
H	[N/A]	SIGNAL
G	[N/A]	SIGNAL
F	[N/A]	SIGNAL
E	[N/A]	SIGNAL
PA	[1.07]	POWER

mat'l code				SEE NOTE 2		tolerances unless otherwise specified		CUSTOMER		FCI	
ltr	ecr no.	dr	date	linear	0.X ± 0.5	projection		COPY		www.fciconnect.com	
A	DG09-0244	WL	07/28/09	angles	0.XX ± 0.25	MIM		title		3P + 8S + 7P	
				dr	0.XXX ± 0.1	scale		product family		PwrBlade	
				enr	0° ± 2°	1:1		size		code	
				chr	WL ZHANG 07/28/09			dwg no		213	
				appd	WARREN DU 7/28/09			51915-211		sheet	
					PM ZHENG 07/28/09			1 of 4			
					Joseph Hsia 07/28/09						
sheet index	revision sheet	A	A	A	A						
		1	2	3	4						

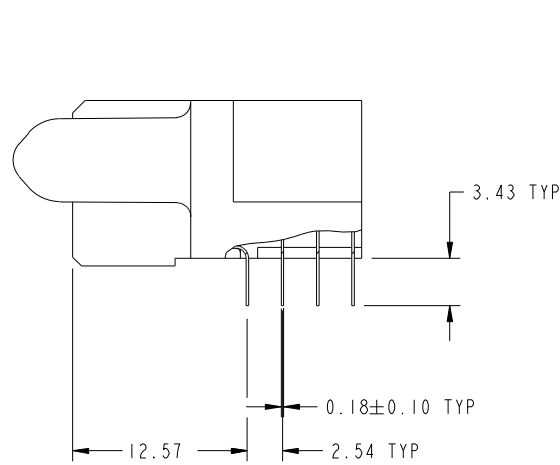
cage code		22526	
-----------	--	-------	--

Tous droits strictement reserves. Reproduction ou communication a des tiers interdite sous quelque forme que ce soit sans autorisation ecrite du proprietaire. Propriete de c FCI. Droits de reproduction FCI.

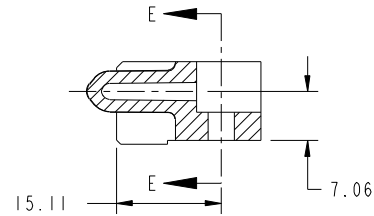


All rights strictly reserved. Reproduction or issue to third parties in any form whatever is not permitted without written authority from the proprietor. Property of FCI. Copyright FCI.

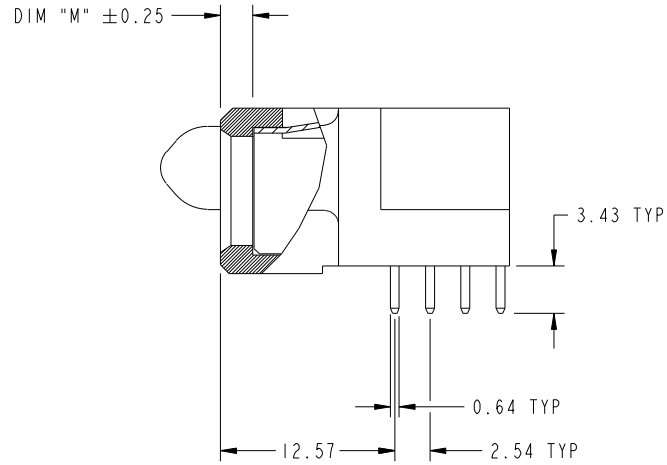
PRODUCT NUMBER
51915-211--
NOTE 3



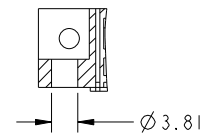
BROKEN-OUT SECTION A-A
SCALE 2:1



SECTION C-C



BROKEN-OUT SECTION B-B
SCALE 2:1



PARTIAL SECTION E-E

mat'l code		SEE NOTE 2		tolerances unless otherwise specified		CUSTOMER		FCI	
ltr	ecn no.	dr	date	linear	0.X ± 0.5	COPY		www.fciconnect.com	
A					0.XX ± 0.25	projection		title	
				angles	0.XXX ± 0.1			3P + 8S + 7P R/A STB RECEPTACLE	
				dr	0° ± 2°			product family PwrBlade code	
				enr	WL ZHANG 07/28/09	scale		size	
				chr	WARREN DU 7/28/09	1:1		dwg no	
				appd	PM ZHENG 07/28/09			51915-211	
					Joseph Hsia 07/28/09			sheet	
sheet index	revision sheet							2 of 4	

cage code 22526

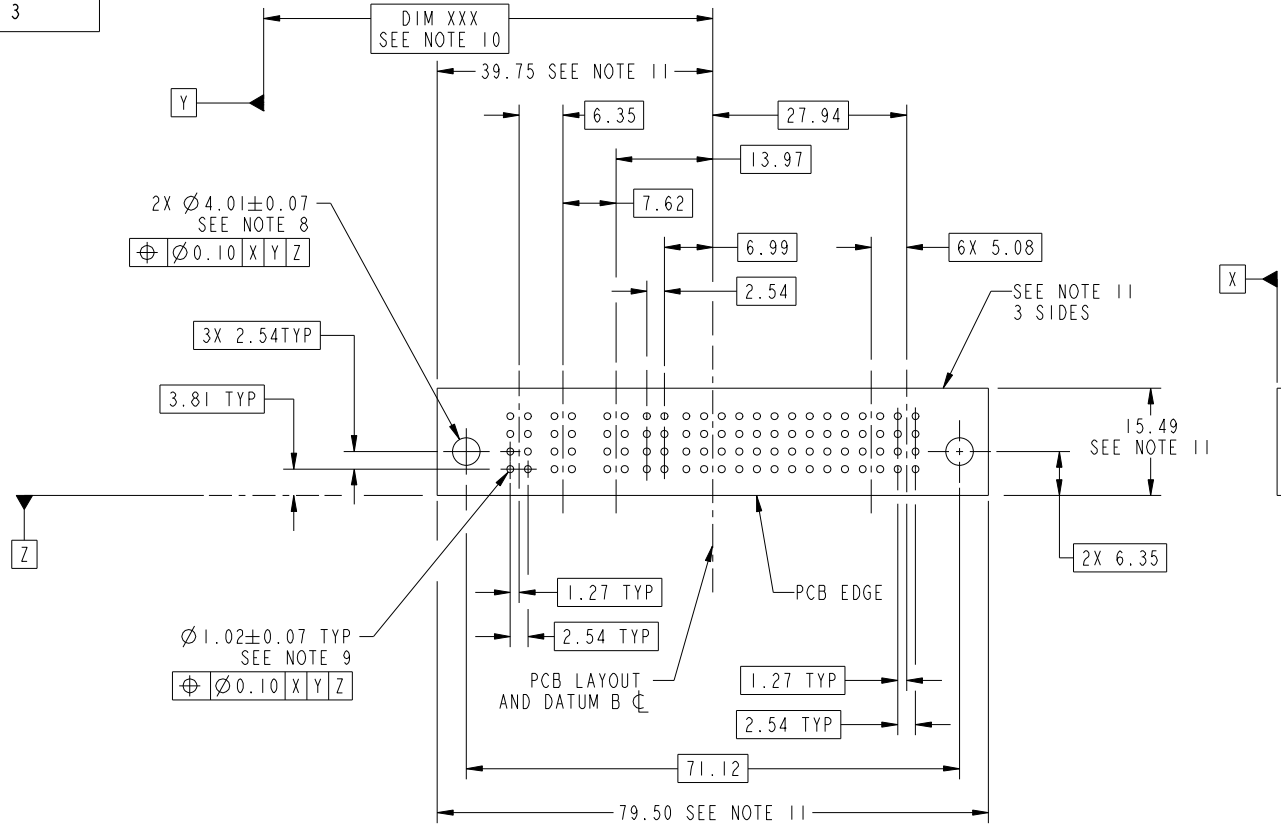
Pro/E

Tous droits strictement reserves. Reproduction ou communication a des tiers interdite sous quelque forme que ce soit sans autorisation écrite du propriétaire. Propriete de c FCI. Droits de reproduction FCI.



All rights strictly reserved. Reproduction or issue to third parties in any form whatever is not permitted without written authority from the proprietor. Property of FCI. Copyright FCI.

PRODUCT NUMBER
51915-211--
NOTE 3



RECOMMENDED PCB LAYOUT

mat'l code				SEE NOTE		tolerances unless otherwise specified		CUSTOMER		FCI	
ltr	ecn no.	dr	date	linear	0.X ± 0.5	COPY		www.fciconnect.com		title	
A				linear	0.XX ± 0.25	projection		3P + 8S + 7P		R/A STB RECEPTACLE	
				angles	0.XXX ± 0.1	MIM		product family		PwrBlade	
				dr	0° ± 2°	scale		size		code	
				enr	WL ZHANG 07/28/09	1:1		dwg no		213	
				chr	WARREN DU 7/28/09			51915-211		sheet	
				appd	PM ZHENG 07/28/09			A		3 of 4	
					Joseph Hsia 07/28/09						
sheet index	revision sheet										

cage code 22526

Pro/E

Tous droits strictement reserves. Reproduction ou communication a des tiers interdite sous quelque forme que ce soit sans autorisation écrite du propriétaire. Propriete de c FCI. Droits de reproduction FCI.



All rights strictly reserved. Reproduction or issue to third parties in any form whatever is not permitted without written authority from the proprietor. Property of FCI. Copyright FCI.

PRODUCT NUMBER
51915-211--
NOTE 3

NOTES:

1. DIMENSIONS AND TOLERANCES ARE IN ACCORDANCE WITH ASME Y14.5M, 1994 UNLESS OTHERWISE SPECIFIED.

CONNECTOR NOTES:

- 2. HOUSING MATERIAL: UL 94 V-0 GLASS FILLED
HIGH-TEMP THERMOPLASTIC
POWER CONTACT MATERIAL: COPPER ALLOY
SIGNAL PIN MATERIAL: COPPER ALLOY
- 3. PLATING:
SEE ITEM 5 & 6 IN PRINT 10064183 FOR PLATING SPEC OF 51915-211; 51915-211LF PRESPECTIVELY
- 4. MANUFACTURER'S NAME, P/N, AND DATE CODE TO APPEAR ON THIS SURFACE.
- 5. PRODUCT SPECIFICATION GS-12-149.
APPLICATION SPECIFICATION BUS-20-067.
- 6. PACKAGED IN TRAYS.

PCB NOTES:

- 7. ALL HOLE DIAMETERS ARE FINISHED HOLE SIZE.
- 8. MOUNTING HOLES, WHERE APPLICABLE, ARE UNPLATED.
- 9. $\varnothing 1.151 \pm 0.025$ DRILLED HOLES PLATED WITH
0.008 MIN SnPb OR Sn OVER 0.03
TO 0.08 Cu PLATING TO ACHIEVE
 $\varnothing 1.02 \pm 0.07$ HOLE.
- 10. "DIM XXX" TO BE DETERMINED BY THE CUSTOMER.
- 11. CONNECTOR KEEP-OUT ZONE.
- 12. THE VOID CORING IN BETWEEN POWER MODULES, SIGNAL MODULES AND END MODULES ARE OPTIONAL AND THE SHAPE MAY BE DIFFERENT FOR OPTIMIZE THE MOLDING PROCESS. THE VOID CORING WILL NOT EFFECT TO PRODUCT FUNCTION.

mat'l code				SEE NOTE 2		tolerances unless otherwise specified		CUSTOMER		FCI		www.fciconnect.com	
ltr	ecr no.	dr	date	linear	0.X ± 0.5		COPY		projection	title			
A					0.XX ± 0.25		MIM			3P + 8S + 7P R/A STB RECEPTACLE			
					0.XXX ± 0.1		←			product family PwrBlade code 213			
				angles	0° ± 2°		scale		size dwg no 51915-211 sheet 4 of 4				
				dr	WL ZHANG	07/28/09	1:1		A				
				enr	WARREN DU	7/28/09							
				chr	PM ZHENG	07/28/09							
				appd	Joseph Hsia	07/28/09							
sheet index	revision sheet												

cage code 22526

Pro/E