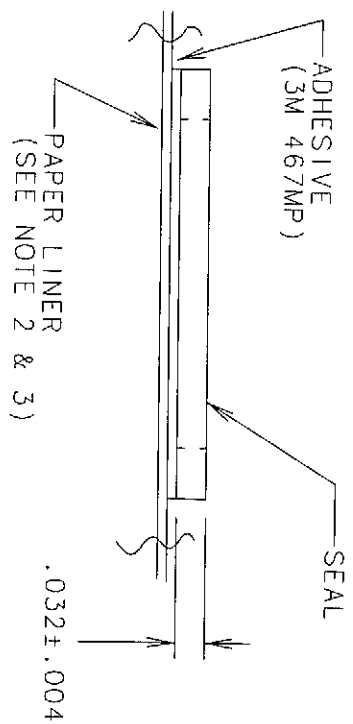
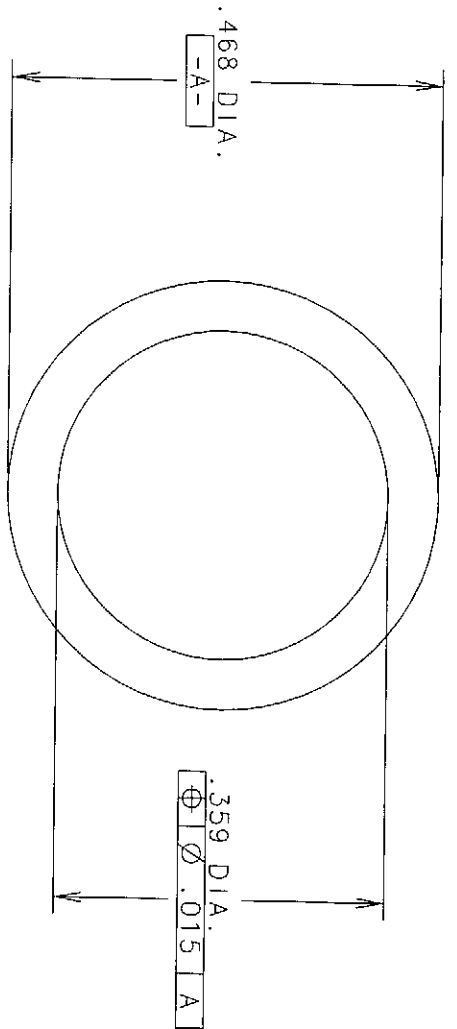


ENG1108

DWG. NO. 58M1422

ALL REVISIONS TO THIS DRAWING
MUST BE MADE ON THE CAD SYSTEM



NOTES:

1. SEALS WILL BE RED IN COLOR AND SUPPLIED IN STRIPS 36 IN. LONG,
2. 75 IN. WIDE, 295 PARTS PER STRIP.
3. SEALS WILL BE TOTALLY CUT THROUGH WITH I.D.'S INTACT, WITHIN PRINT TOLERANCE.
4. SURFACE SCRATCHES ARE ACCEPTABLE IF THEY DO NOT COMPLETELY CROSS BETWEEN THE I.D AND O.D.
5. MATERIAL: 80±5 DUROMETER SILICONE RUBBER PER A-A-59588A-2A/2B-80 CLASS 2A & 2B

REV	DATE	DESCRIPTION
A	DWH	ORIGINAL MJS ECN 129531
B	DMD	REMOVED NOTE 1: RE-NUMBERED NOTES 2-5; ADDED DATUMS TO .468 AND .359 DIM'S. ECN#171794 MJS 6-17-92
C	DMD	ECN#172900 KKK 02-18-93
D	DMD/DMD	9-26-07 DMD/DMD SEE NOTE 5
E	CSR	10/29/07 ADHESIVE WAS ADICHEM 728, MATERIAL SPEC. WAS A-A-55759 ECN368644 CMJ 10/29/07

Grayhill
GRAYHILL, INC.
561 HILLGROVE AVE.
LA GRANGE, IL 60525
PHONE (708) 354-1040

UNLESS OTHERWISE SPECIFIED TOLERANCES AND DIMENSIONS ARE IN INCHES
LINEAR ±.005 DIAMETERS ±.015
ANGULAR ±0° 0'

LIMITS APPLY BEFORE FINISHING
DO NOT SCALE THIS PRINT

O.C. INSTR.		APPROVED DATE	
FINISH		DWH	11-08-90
MATERIAL	SEE NOTE 5	CHECKED	DATE
NAME	GASKET	RK	11-07-90
		DRAWN	DATE
		MJS	11-07-90
		CADAM DRAWING	
		58M1422 E_001	
A	DWG. NO.	ISSUE	
SIZE	58M1422	E	
SCALE	5:1 (R)	SHEET	1 OF 1