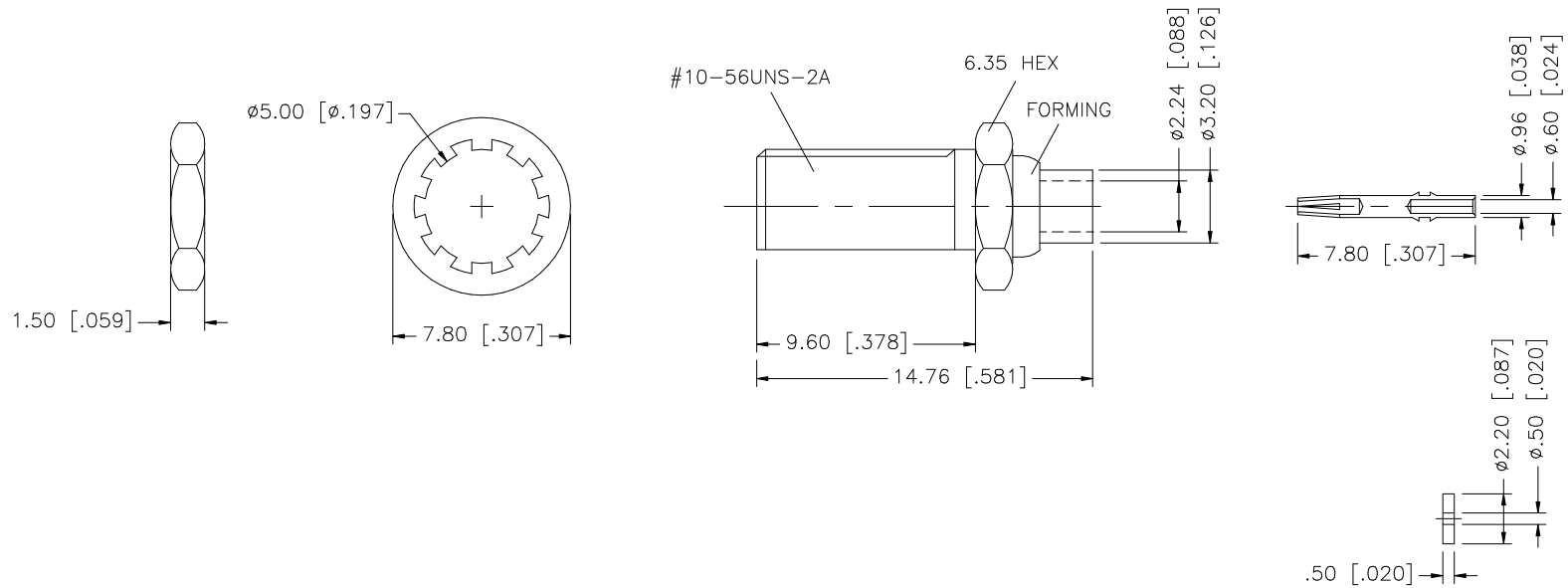
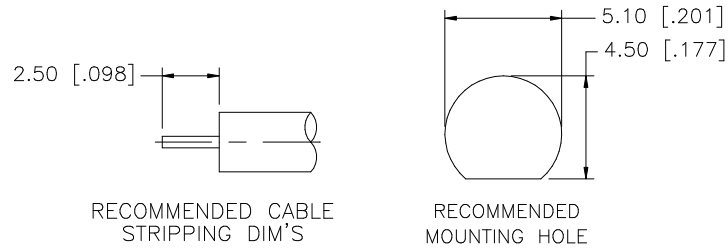


REV.	DATE	DESCRIPTION
A	06/05/03	UPDATE DRAWING FORMAT



NOTES:

- CONTACT PIN TO SOLDER
- MAX. PANEL THICKNESS = 6.8mm

REV.	DATE	DESCRIPTION
A	06/05/03	UPDATE DRAWING FORMAT
8		
7		
6	HEX NUT	BRASS GOLD 1
5	LOCK WASHER	BRASS GOLD 1
4	INSULATOR	TEFLON NATURAL 1
3	CONTACT PIN	BER. COPPER GOLD 1
2	INSULATOR	TEFLON NATURAL 1
1	BODY	BRASS GOLD 1
	DESCRIPTION	MATERIAL FINISH QTY
<p>UNLESS OTHERWISE SPECIFIED DIMENSIONS ARE IN MILLIMETERS. DIMENSIONS IN [] ARE IN INCHES AND FOR CUSTOMER REFERENCE ONLY.</p> <p>UNLESS OTHERWISE SPECIFIED TOLERANCES FOR MILLIMETERS ARE: 0.5 - 8mm ± 0.20mm 8 - 30mm ± 0.40mm 30 - 120mm ± 0.50mm</p> <p>UNLESS OTHERWISE SPECIFIED TOLERANCES FOR INCHES ARE: .020 - .315 = ± 0.007" .315 - 1.180 = ± 0.015" 1.180 - 4.724 = ± 0.020"</p> <p>DO NOT SCALE DRAWING</p>		
APPROVALS		DATE
DRAWN	G.R.S.	06/05/03
CHECKED		
ISSUED		
SHEET	1 OF 1	
CAD FILE	C:/252/252163.DWG	
<p>Amphenol Connex</p> <p>PART DESCRIPTION MCX BULKHEAD DIRECT SOLDER JACK (FOR .085" .086" SEMI RIGID CABLE)</p> <p>PART NO. 252163</p>		
DWG. NO.	252163.DWG	REV. A
SIZE	A	SCALE NA