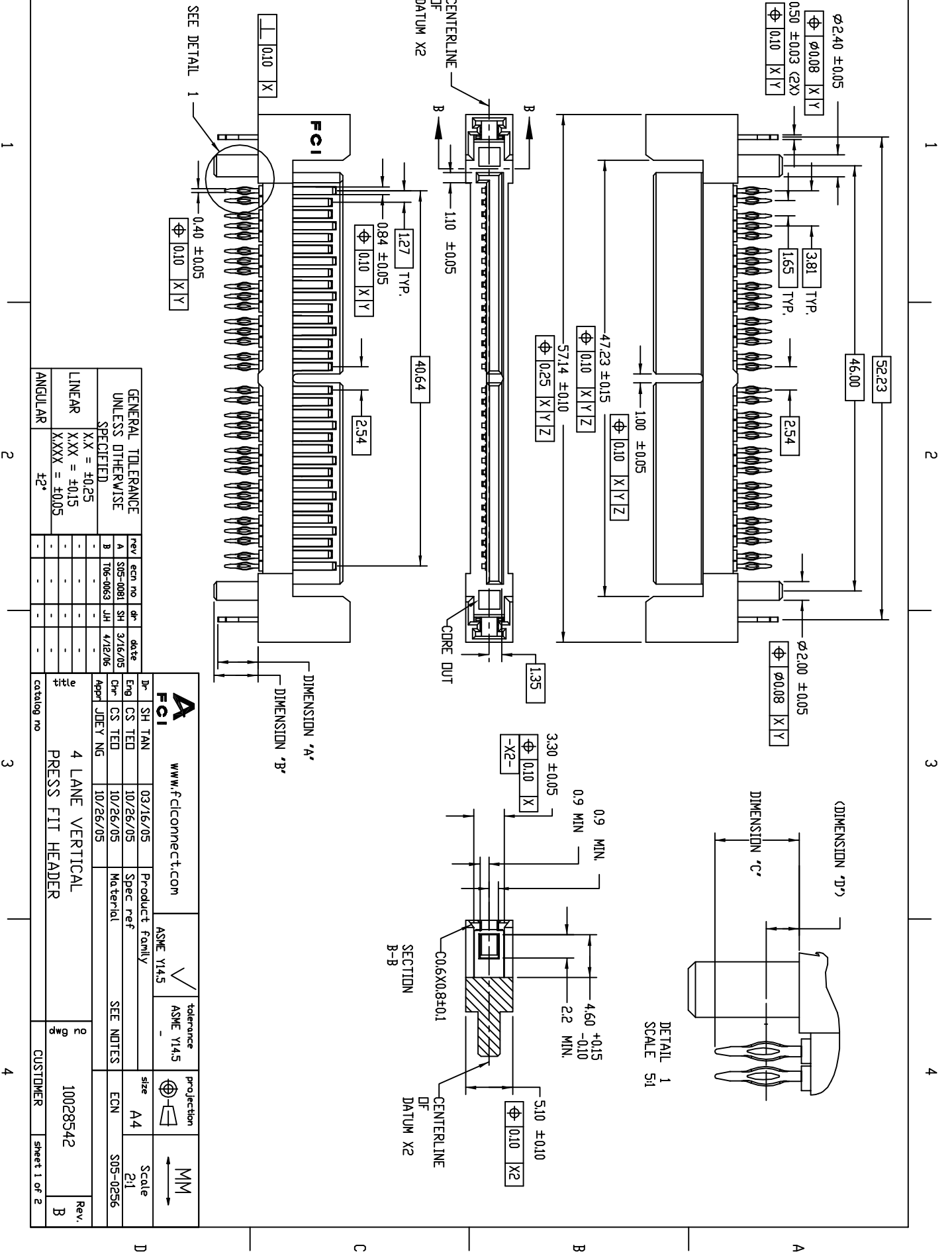




All rights strictly reserved. Reproduction or issue to third parties in any form whatever is not permitted without written authority from the proprietor.
Property of FCI. Copyright FCI.

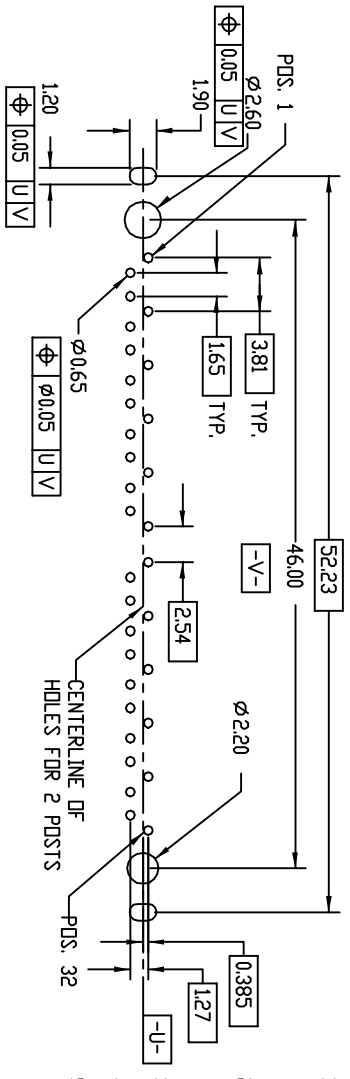
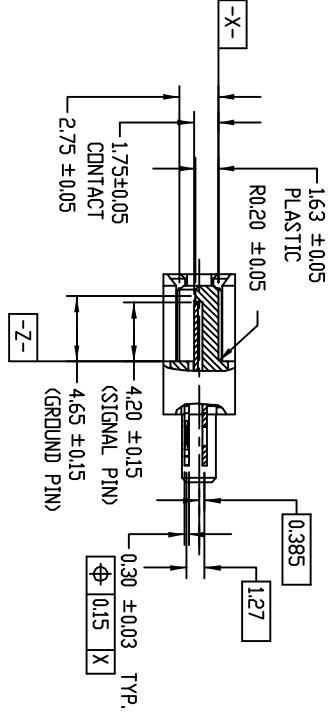
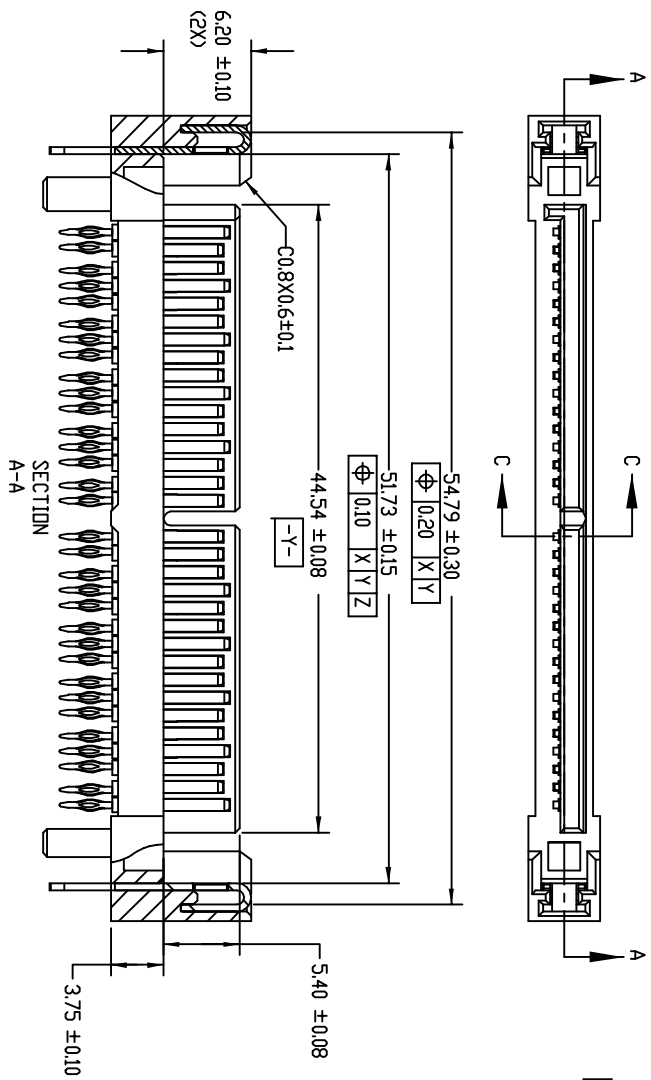
Tous droits strictement reserves. Reproduction ou communication a des tiers interdite sous quelque forme que ce soit sans autorisation ecrite du proprietaire.
Propriete de c FCI. Droits de reproduction FCI.



GENERAL TOLERANCE UNLESS OTHERWISE SPECIFIED		rev	ecm no.	dr	date
A	X.X = ±0.25	A	305-0081	SH	3/16/05
B	X.XX = ±0.15	B	T06-0063	JH	4/12/06
C	X.XXX = ±0.05				
ANGULAR	±2°				

FCI		www.fciconnect.com	tolerance	pro-jection	Scale
Dr	SH TAN	03/16/05	ASME Y14.5		2:1
Eng	CS TED	10/26/05			
Chr	CS TED	10/26/05	SEE NOTES		
Appr	JDEV NG	10/26/05			
title	4 LANE VERTICAL PRESS FIT HEADER				
catalog no	CUSTOMER				
Rev.	B				
Part no.	10028542				
sheet 1 of 2					

PRODUCT NO.	PCB THICKNESS	DIMENSION 'A'	DIMENSION 'B'	DIMENSION 'C'	DIMENSION 'D'
10028542-001LF	1.57±0.10	2.75±0.20	3.20±0.10	3.65±0.10	1.43±0.10
10028542-002LF	3.18±0.10	4.35±0.20	4.80±0.10	3.65±0.10	1.43±0.10
10028542-003LF	1.57±0.10	2.75±0.20	3.20±0.10	2.10±0.10	0.79±0.10



NOTES

1. MATERIAL: HOUSING: HIGH TEMPERATURE PLASTIC, BLACK OR GRAY, UL94V-0 CONTACT: COPPER ALLOY HOLD DOWN: COPPER ALLOY
2. FINISH: 1.27um MIN NICKEL UNDERPLATE OVERALL, 1.91um MIN TIN (LEAD-FREE) ON SOLDER TAIL, 0.75um MIN GOLD IN CONTACT AREA
3. THIS PRODUCT MEETS EUROPEAN UNION DIRECTIVES AND OTHER COUNTRY REGULATIONS AS DESCRIBED IN GS-22-008
4. THE HOUSING WILL WITHSTAND EXPOSURE TO 260°C PEAK TEMPERATURE FOR 10 SECONDS IN A CONVECTION, INFRARED OR VAPOR PHASE REFLOW OVEN
5. CONTACT W/PE: 207 MIN FOR SIGNAL AND 252 MIN FOR GROUND

RECOMMENDED PCB LAYOUT
(ALL TOLERANCES ARE ±0.05)

title	4 LANE VERTICAL PRESS FIT HEADER	Rev. B
catalog no	10028542	Sheet 2 of 2