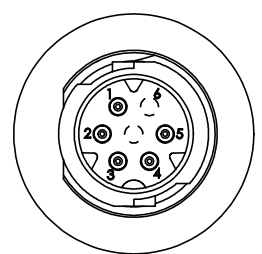


CUSTOMER PRINT

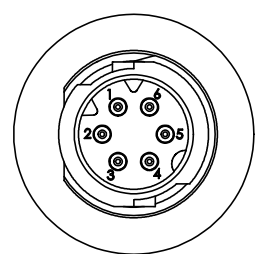
PART NUMBER: W17980-XPG-P-300

ASS'Y P/N	NO. OF CONTACTS	KEY STYLE
W17980-5PG-P-300	5 #26	A-KEY
W17980-6PG-P-300	6 #26	B-KEY
W17980-7PG-P-300	7 #26	A-KEY

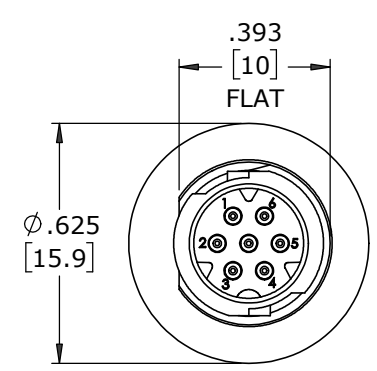
NOTES:
 1. ALL PARTS TO BE BULK PACKED
 2. CONTACTS SHIPPED UNASSEMBLED
 3. ALL DIMENSIONS ARE REFERENCE EXCEPT THOSE WITH A TOLERANCE



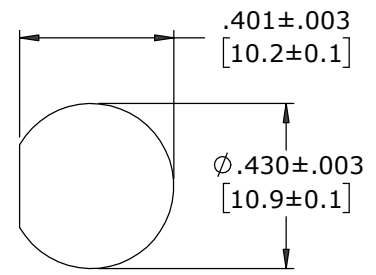
FACE VIEW
 W17980-5PG-P-300
 5 POSITION
 A-KEY



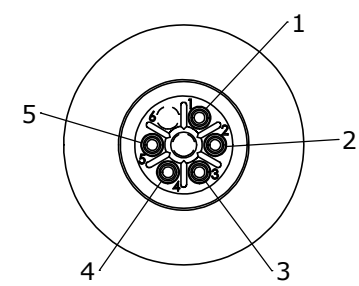
FACE VIEW
 W17980-6PG-P-300
 6 POSITION
 B-KEY



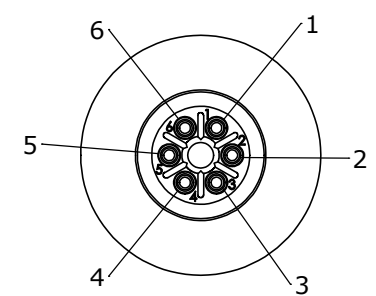
FACE VIEW
 W17980-7PG-P-300
 7 POSITION
 A-KEY



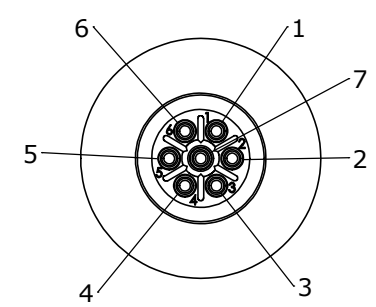
**RECCOMENDED
 PANEL CUT-OUT**



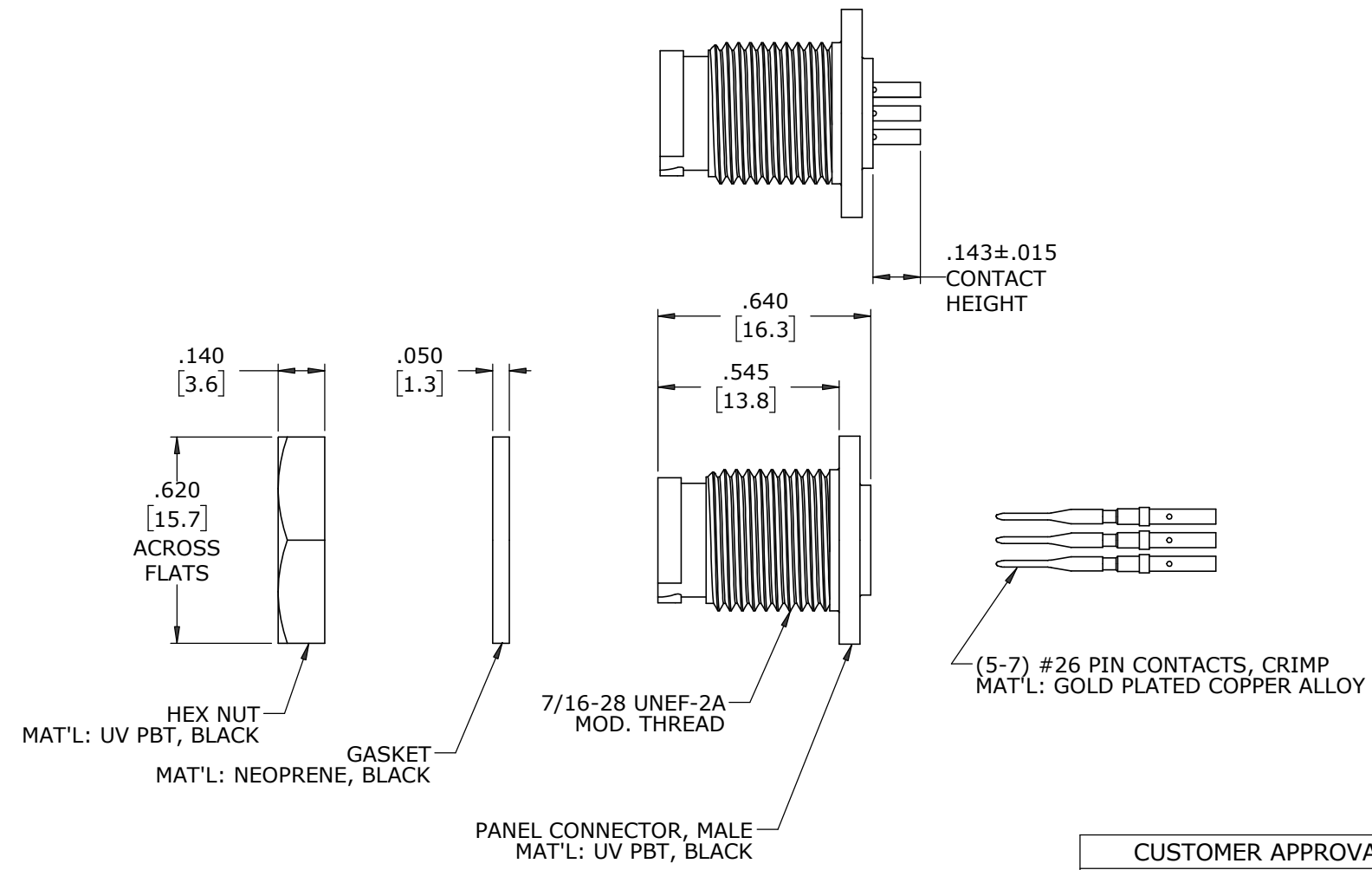
WIRE VIEW
 W17980-5PG-P-300



WIRE VIEW
 W17980-6PG-P-300



WIRE VIEW
 W17980-10PG-P-300



CUSTOMER APPROVAL

THIS DOCUMENT CONTAINS CONFIDENTIAL INFORMATION PROPRIETARY TO CONXALL CORPORATION. ANY REPRODUCTION, DISCLOSURE, OR USE OF THIS DOCUMENT /INFORMATION IS EXPRESSLY PROHIBITED UNLESS AUTHORIZED IN WRITING BY CONXALL CORPORATION.

APPROVED BY: _____
 DATE: _____

MA	08-13-20	RELEASED PER PDR 18004-2
A	JGK	8/14/19
REV.	INIT.	DATE
ALL INFORMATION ILLUSTRATED IS THE PROPERTY OF "CONXALL CORPORATION". UNAUTHORIZED DUPLICATION OR DISTRIBUTION OF THIS DOCUMENT IS PROHIBITED.		DESCRIPTION
ALL UNITS ARE IN FEET, INCHES, FRACTION OF INCHES AND DECIMALS.		ORIG. DRAWN BY: JGK
		DATE: 8/14/19
		CHECKED BY:
		APPROVED BY:
SCALE	SIZE	SHEET
NTS	B	1 OF 1
FILE:	DIRECTORY:	PART NUMBER:
W17980-XPG-P-300	SLW	W17980-XPG-P-300
TITLE: PANEL MOUNT ASSEMBLY (5-7) #26 PIN CONTACTS, CRIMP INSTA-CLICK™ MICRO-CON-X STANDARD PRODUCT		REV A

DIMENSIONS IN BRACKETS [] ARE IN MILLIMETERS UNLESS INDICATED

RoHS COMPLIANT

CRITICAL CHARACTERISTIC FLAG PER SPEC. XXXX