

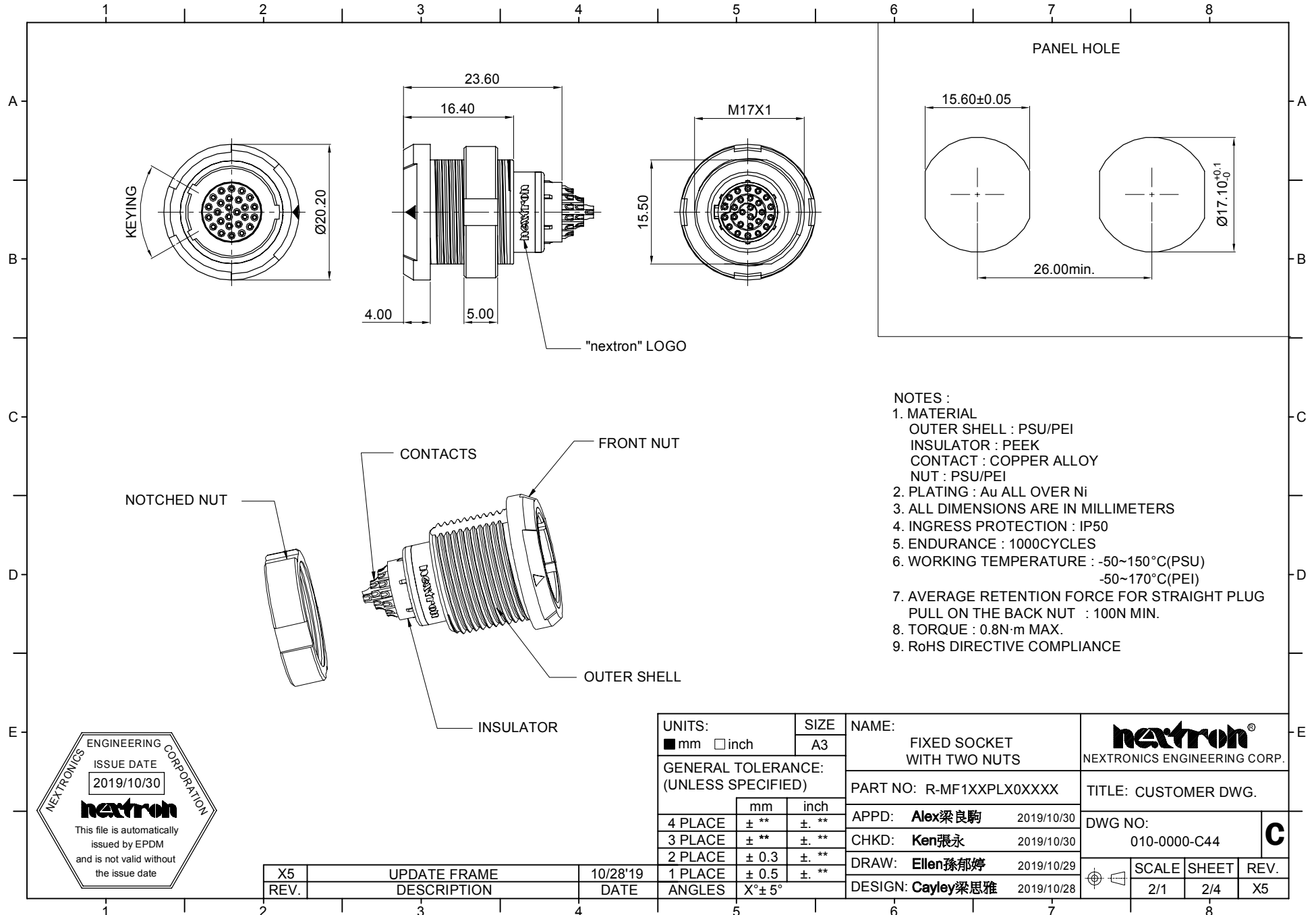
- NOTES :
- MATERIAL
 OUTER SHELL : PSU/PEI
 INSULATOR : PEEK
 CONTACT : COPPER ALLOY
 NUT : PSU/PEI
 - PLATING : Au ALL OVER Ni
 - ALL DIMENSIONS ARE IN MILLIMETERS
 - INGRESS PROTECTION : IP50
 - ENDURANCE : 1000CYCLES
 - WORKING TEMPERATURE : -50~150°C(PSU)
 -50~170°C(PEI)
 - AVERAGE RETENTION FORCE FOR STRAIGHT PLUG
 PULL ON THE BACK NUT : 100N MIN.
 - TORQUE : 0.8N·m MAX.
 - RoHS DIRECTIVE COMPLIANCE

ENGINEERING CORPORATION
 ISSUE DATE
 2019/10/30
nexttron
 This file is automatically issued by EPDM and is not valid without the issue date

X5	UPDATE FRAME	10/28'19
REV.	DESCRIPTION	DATE

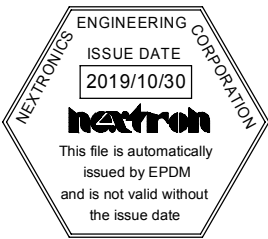
UNITS: ■ mm □ inch	SIZE A3	NAME: FIXED SOCKET WITH TWO NUTS	 NEXTRONICS ENGINEERING CORP.			
GENERAL TOLERANCE: (UNLESS SPECIFIED)		PART NO: R-MF1XXPLX0XXXX				TITLE: CUSTOMER DWG.
4 PLACE ± **	mm ± **	inch ± **	APPD: Alex梁良駒	2019/10/30	DWG NO: 010-0000-C44	C
3 PLACE ± **	mm ± 0.3	inch ± **	CHKD: Ken張永	2019/10/30		
2 PLACE ± 0.5	mm ± 0.5	inch ± **	DRAW: Ellen孫郁婷	2019/10/29	SCALE SHEET REV. 2/1 1/4 X5	
1 PLACE ± 0.5	mm X° ± 5°	inch ± **	DESIGN: Cayley梁思雅	2019/10/28		

CONFIDENTIAL: THIS DOCUMENT CONTAINED THE INFORMATION IS PROPRIETARY AND CONFIDENTIAL TO Nextronics Engineering Corp. NO PERSON IS ALLOWED TO USE COPY, PUBLISH OR OTHERWISE DISCLOSE THE INFORMATION TO OTHERS, UNLESS BY THE PRIOR WRITTEN EXPRESS AUTHORIZATION OF Nextronics Engineering Corp. (C)COPYRIGHT- Nextronics Engineering Corp.



NOTES :

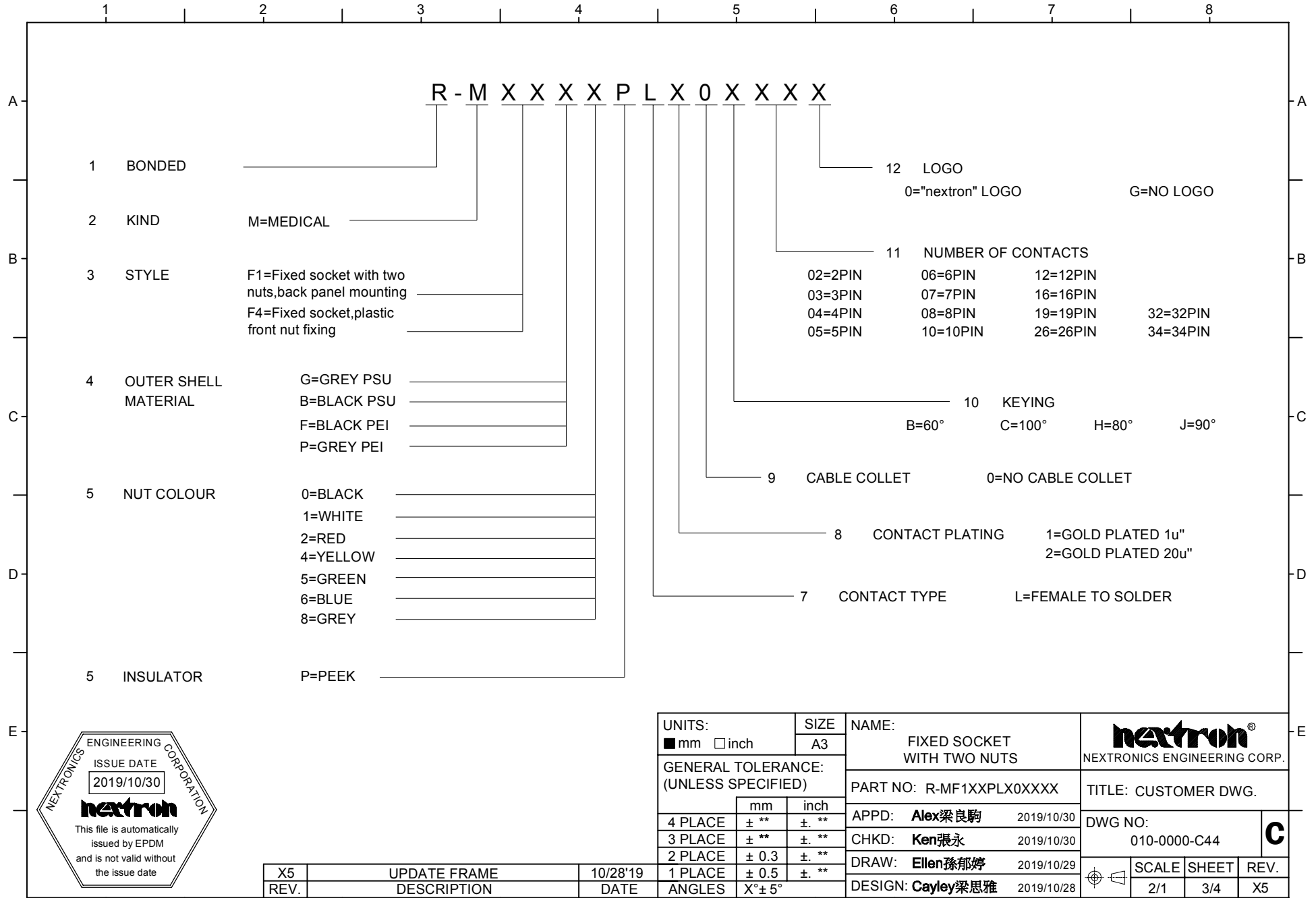
1. MATERIAL
 OUTER SHELL : PSU/PEI
 INSULATOR : PEEK
 CONTACT : COPPER ALLOY
 NUT : PSU/PEI
2. PLATING : Au ALL OVER Ni
3. ALL DIMENSIONS ARE IN MILLIMETERS
4. INGRESS PROTECTION : IP50
5. ENDURANCE : 1000CYCLES
6. WORKING TEMPERATURE : -50~150°C(PSU)
 -50~170°C(PEI)
7. AVERAGE RETENTION FORCE FOR STRAIGHT PLUG
 PULL ON THE BACK NUT : 100N MIN.
8. TORQUE : 0.8N·m MAX.
9. RoHS DIRECTIVE COMPLIANCE



X5	UPDATE FRAME	10/28'19
REV.	DESCRIPTION	DATE

UNITS: ■ mm □ inch	SIZE A3	NAME: FIXED SOCKET WITH TWO NUTS	nextron [®] NEXTRONICS ENGINEERING CORP.	
GENERAL TOLERANCE: (UNLESS SPECIFIED)		PART NO: R-MF1XXPLX0XXXX	TITLE: CUSTOMER DWG.	
	mm	inch	APPD: Alex梁良駒	2019/10/30
4 PLACE	± **	± **	CHKD: Ken張永	2019/10/30
3 PLACE	± **	± **	DRAW: Ellen孫郁婷	2019/10/29
2 PLACE	± 0.3	± **	DESIGN: Cayley梁思雅	2019/10/28
1 PLACE	± 0.5	± **		
ANGLES	X° ± 5°		SCALE	SHEET
			2/1	2/4
			REV.	X5

CONFIDENTIAL: THIS DOCUMENT CONTAINED THE INFORMATION IS PROPRIETARY AND CONFIDENTIAL TO Nextronics Engineering Corp. NO PERSON IS ALLOWED TO USE COPY, PUBLISH OR OTHERWISE DISCLOSE THE INFORMATION TO OTHERS, UNLESS BY THE PRIOR WRITTEN EXPRESS AUTHORIZATION OF Nextronics Engineering Corp. (C)COPYRIGHT- Nextronics Engineering Corp.



CONFIDENTIAL: THIS DOCUMENT CONTAINED THE INFORMATION IS PROPRIETARY AND CONFIDENTIAL TO Nextronics Engineering Corp. NO PERSON IS ALLOWED TO USE COPY, PUBLISH OR OTHERWISE DISCLOSE THE INFORMATION TO OTHERS, UNLESS BY THE PRIOR WRITTEN EXPRESS AUTHORIZATION OF Nextronics Engineering Corp. (C)COPYRIGHT- Nextronics Engineering Corp.

1 2 3 4 5 6 7 8

A A

INSERT DATA SHEET

NUMBER OF CONTACTS	2	3	4	5	6	7	8	10	12	16	19
VIEW FROM TERMINATION SIDE											
CONTACT Ø(mm)	2.0	1.6	1.3	1.3	1.3	1.3	0.9	0.9	0.7	0.7	0.7
SOLDER BUCKET Ø(mm)	1.8	1.4	1.0	1.0	1.0	1.0	0.8	0.8	0.8	0.8	0.8
RATED CURRENT(A)	30	17	15	14	12	11	10	8.0	7.0	6.0	5.0

B B

INSERT DATA SHEET

NUMBER OF CONTACTS	26	32	34
VIEW FROM TERMINATION SIDE			
CONTACT Ø(mm)	0.5	0.5	0.5
SOLDER BUCKET Ø(mm)	0.4	0.4	0.4
RATED CURRENT(A)	2.0	1.5	1.5

ALIGNMENT KEY

KEYING (SOCKET FRONT VIEW)				
	60°	80°	90°	100°
REFERENCE	B	H	J	C

C C

D D

ENGINEERING CORPORATION
 NEXTRONICS
 ISSUE DATE
 2019/10/30
nexttron
 This file is automatically issued by EPDM and is not valid without the issue date

X5	UPDATE FRAME	10/28'19
REV.	DESCRIPTION	DATE

UNITS: ■ mm □ inch	SIZE A3	NAME: FIXED SOCKET WITH TWO NUTS	nexttron NEXTRONICS ENGINEERING CORP.
GENERAL TOLERANCE: (UNLESS SPECIFIED)		PART NO: R-MF1XXPLX0XXXX	TITLE: CUSTOMER DWG.
4 PLACE ± ** ±. **	3 PLACE ± ** ±. **	APPD: Alex梁良駒 2019/10/30	DWG NO: 010-0000-C44
2 PLACE ± 0.3 ±. **	1 PLACE ± 0.5 ±. **	CHKD: Ken張永 2019/10/30	C
ANGLES X° ± 5°		DRAW: Ellen孫郁婷 2019/10/29	
		DESIGN: Cayley梁思雅 2019/10/28	SCALE SHEET REV. 2/1 4/4 X5

E E

CONFIDENTIAL: THIS DOCUMENT CONTAINED THE INFORMATION IS PROPRIETARY AND CONFIDENTIAL TO Nextronics Engineering Corp. NO PERSON IS ALLOWED TO USE COPY, PUBLISH OR OTHERWISE DISCLOSE THE INFORMATION TO OTHERS, UNLESS BY THE PRIOR WRITTEN EXPRESS AUTHORIZATION OF Nextronics Engineering Corp. (C)COPYRIGHT- Nextronics Engineering Corp.