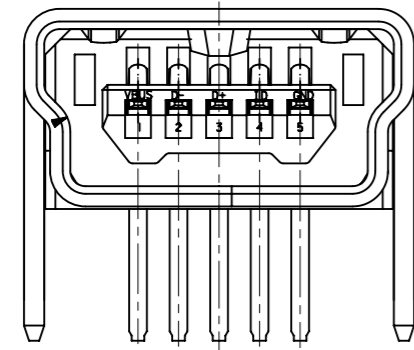
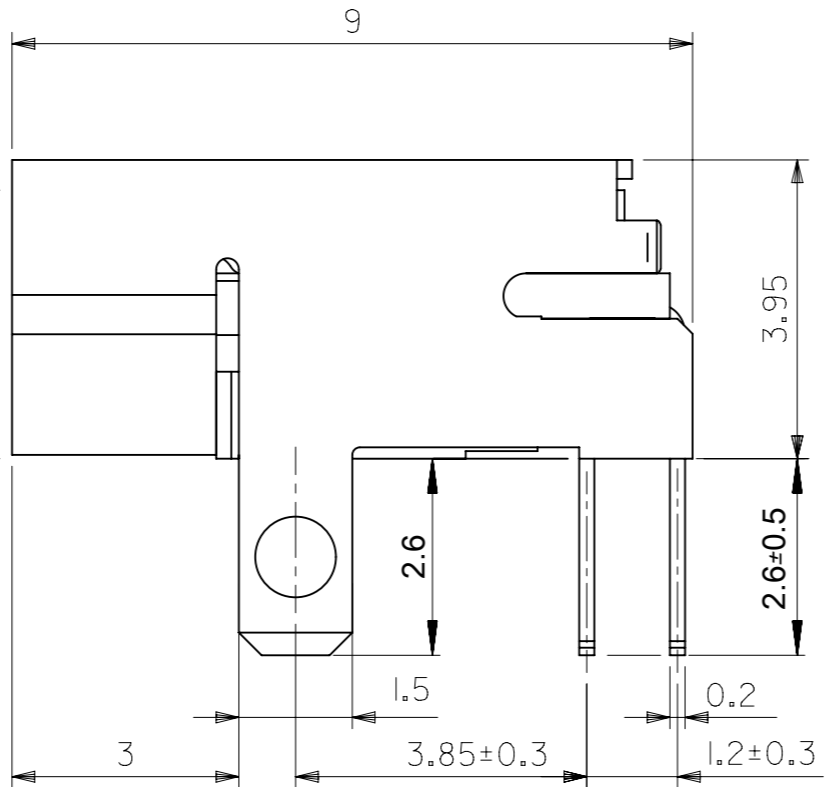
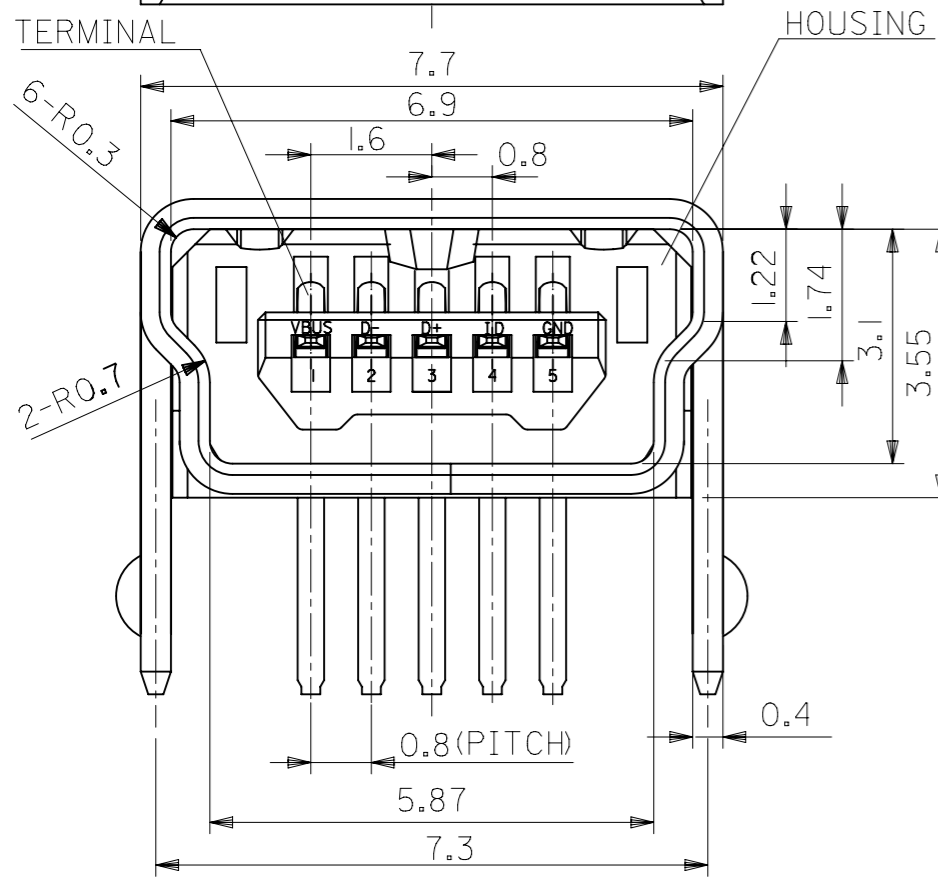


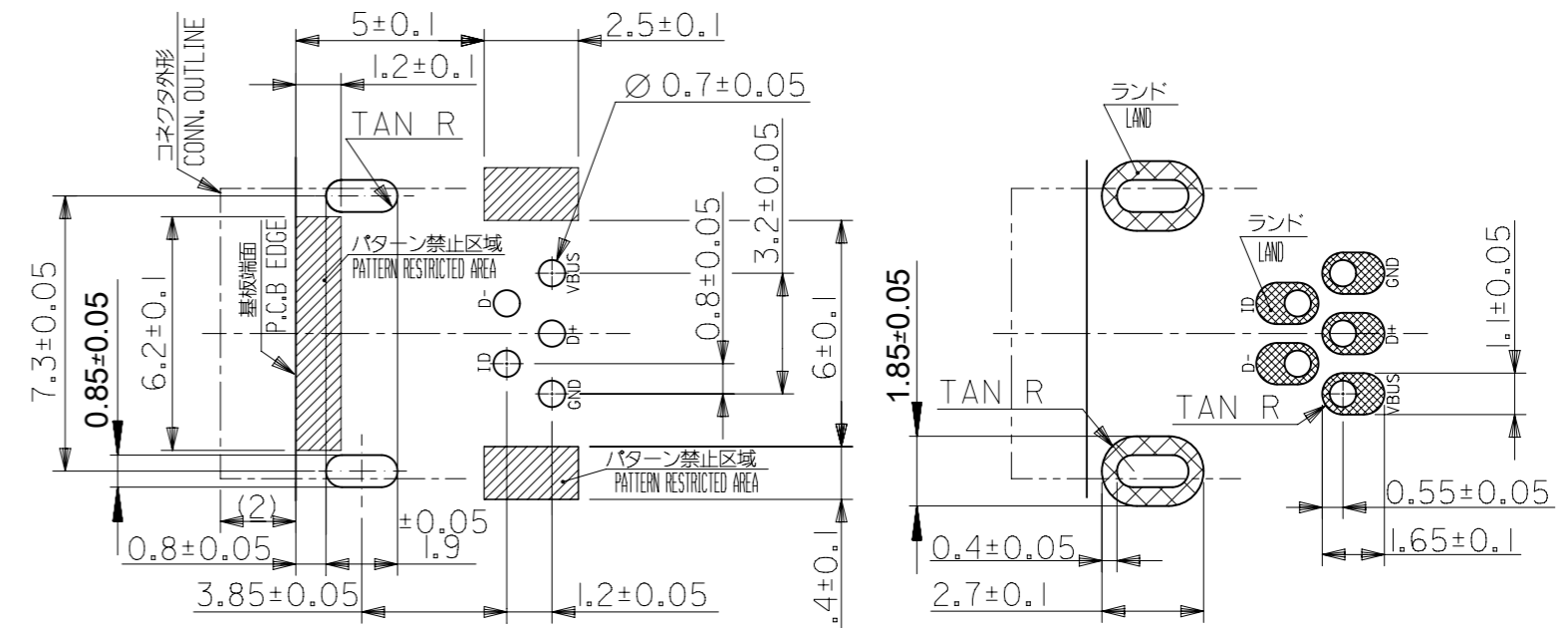
SHIELD CASE



502238-1517
WITHOUT CONVEX

コネクタ実装側 (CONNECTOR MOUNT SIDE)

逆側 (REVERSE SIDE)



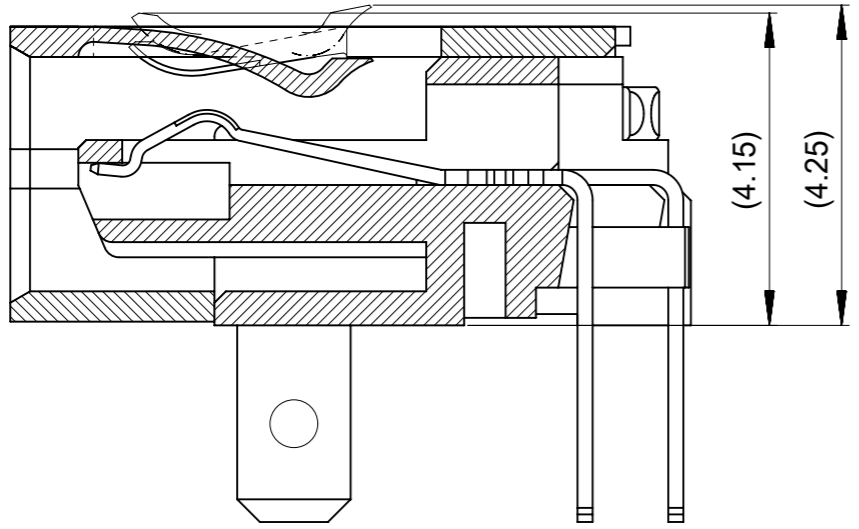
推奨基板寸法

RECOMMENDED P.C.B. PATTERN LAYOUT
(SCALE 5:1)

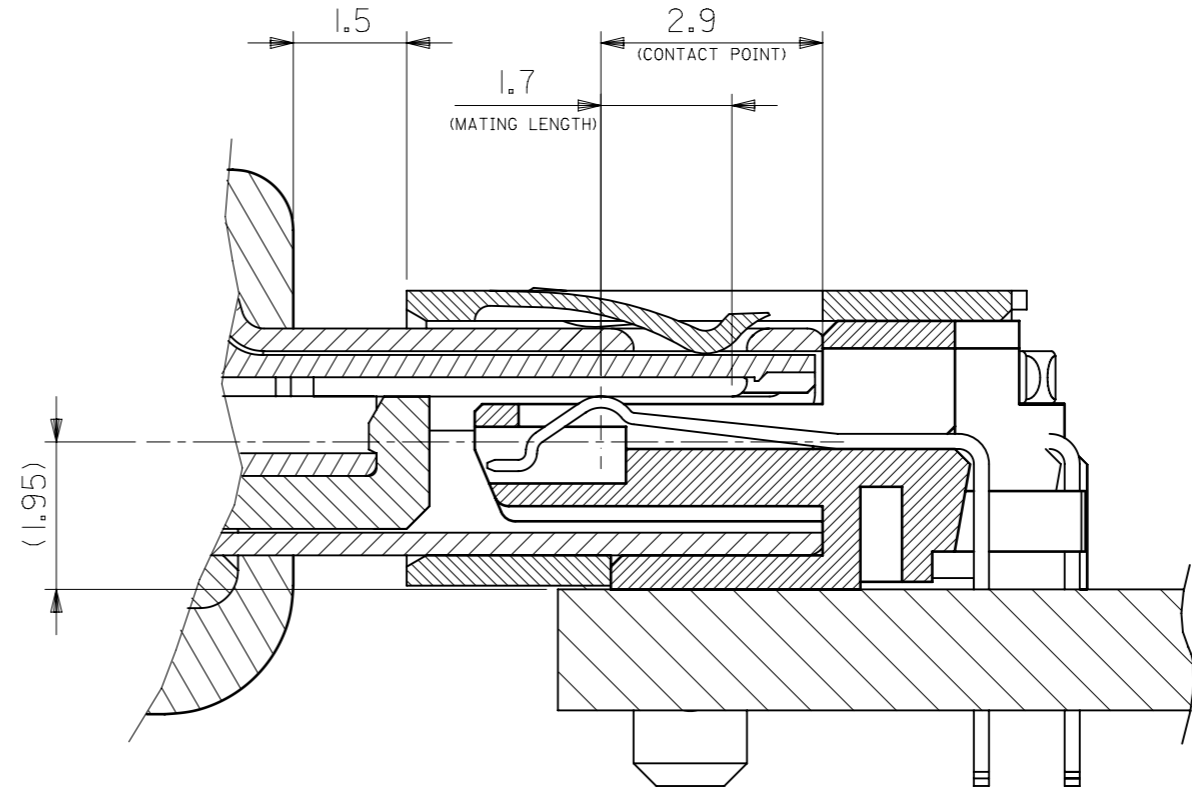
- 注記 1. 材質
NOTES MATERIAL
ハウジング: LCP, ガラス充填, 黒色, UL94V-0
HOUSING: LCP, GLASS FILLED, BLACK, UL94V-0
ターミナル: 銅合金 (t=0.2)
TERMINAL: COPPER ALLOY (t=0.2)
シールド ケース: 銅合金 (t=0.4)
SHIELD CASE: COPPER ALLOY (t=0.4)
2. メッキ仕様
PLATING
ターミナル
TERMINAL
接点部: 金メッキ 0.76µm MIN.
CONTACT AREA: GOLD 0.76MICRO METER MIN.
半田付け部: 錫メッキ 1.0µm MIN.
SOLDER TAIL AREA: TIN 1.0MICRO METER MIN.
下地部: ニッケルメッキ 1.0µm MIN.
UNDER PLATING: NICKEL 1.0MICRO METER MIN.
シールド ケース
SHIELD CASE
: 錫メッキ 1.0µm MIN.
: TIN 1.0MICRO METER MIN.
下地部: ニッケルメッキ 1.0µm MIN.
UNDER PLATING: NICKEL 1.0MICRO METER MIN.
3. ELV AND RoHS COMPLIANT.

WITHOUT CONVEX	502238-1517	502238-**17
SHAPE	MATERIAL No.	MODEL NO.

THIS DRAWING CONTAINS INFORMATION THAT IS PROPRIETARY TO MOLEX ELECTRONIC TECHNOLOGIES, LLC AND SHOULD NOT BE USED WITHOUT WRITTEN PERMISSION									
DIMENSION UNITS		SCALE		CURRENT REV DESC: OBSOLETE PART NO.					
mm		1:1		<p>molex</p> <p>USB SERIES MINI-B RIGHT ANGLE REC. ASSY</p> <p>PRODUCT CUSTOMER DRAWING</p> <p>DOCUMENT NUMBER: SD-502238-001 DOC TYPE: PSD DOC PART: 001 REVISION: D1</p> <p>DRAFT WHERE APPLICABLE: MUST REMAIN WITHIN DIMENSIONS THIRD ANGLE PROJECTION DRAWING: A3-SIZE SERIES: 502238 MATERIAL NUMBER: SEE TABLE CUSTOMER: GENERAL MARKET SHEET NUMBER: 1 OF 2</p>					
GENERAL TOLERANCES (UNLESS SPECIFIED)									
		MM	INCH						
4 PLACES	±								
3 PLACES	±								
2 PLACES	±	0.2							
1 PLACE	±	0.2							
0 PLACES	±	0.2							
ANGULAR TOL		± 3.0°							



SECTION



MATING

502238-**17

MODEL NO.

THIS DRAWING CONTAINS INFORMATION THAT IS PROPRIETARY TO MOLEX ELECTRONIC TECHNOLOGIES, LLC AND SHOULD NOT BE USED WITHOUT WRITTEN PERMISSION									
DIMENSION UNITS		SCALE		CURRENT REV DESC: OBSOLETE PART NO.					
mm		1:1		<p>molex</p> <p>USB SERIES MINI-B RIGHT ANGLE REC. ASSY</p> <p>PRODUCT CUSTOMER DRAWING</p> <p>DOCUMENT NUMBER: SD-502238-001 DOC TYPE: PSD DOC PART: 001 REVISION: D1</p> <p>MATERIAL NUMBER: SEE TABLE CUSTOMER: GENERAL MARKET SHEET NUMBER: 2 OF 2</p>					
GENERAL TOLERANCES (UNLESS SPECIFIED)									
	MM	INCH							
4 PLACES	±		±						
3 PLACES	±		±						
2 PLACES	± 0.2		±						
1 PLACE	± 0.2		±						
0 PLACES	± 0.2		±						
ANGULAR TOL ± 3.0°				<p>INITIAL REVISION:</p> <p>DRWN: MTANAKA 2006/03/30</p> <p>APPR: AYIN 2016/06/03</p>					
DRAFT WHERE APPLICABLE MUST REMAIN WITHIN DIMENSIONS				THIRD ANGLE PROJECTION		DRAWING		SERIES	
						A3-SIZE		502238	