

**ebm-papst Mulfingen GmbH & Co. KG**

Bachmühle 2 · D-74673 Mulfingen

Phone +49 7938 81-0

Fax +49 7938 81-110

info1@de.ebmpapst.com

www.ebmpapst.com

Limited partnership · Headquarters Mulfingen

Amtsgericht (court of registration) Stuttgart · HRA 590344

General partner Elektrobau Mulfingen GmbH · Headquarters Mulfingen

Amtsgericht (court of registration) Stuttgart · HRB 590142

**Nominal data**

| Type                        | R2E225-RA40-21    |         |         |
|-----------------------------|-------------------|---------|---------|
| Motor                       | M2E068-DF         |         |         |
| Phase                       |                   | 1~      | 1~      |
| Nominal voltage             | VAC               | 115     | 115     |
| Frequency                   | Hz                | 60      | 60      |
| Method of obtaining data    |                   | ml      | ml      |
| Valid for approval/standard |                   | -       | UL 2111 |
| Speed (rpm)                 | min <sup>-1</sup> | 2700    | 2700    |
| Power consumption           | W                 | 215     | 225     |
| Current draw                | A                 | 1.88    | 1.9     |
| Capacitor                   | µF                | 14      | 14      |
| Capacitor voltage           | VDB               | 250     | 250     |
| Capacitor standard          |                   | S0 (CE) | UL      |
| Min. back pressure          | Pa                | 0       | 0       |
| Min. back pressure          | in. wg            | 0       | 0       |
| Min. ambient temperature    | °C                | -25     | -25     |
| Max. ambient temperature    | °C                | 40      | 40      |
| Starting current            | A                 | 2.58    |         |

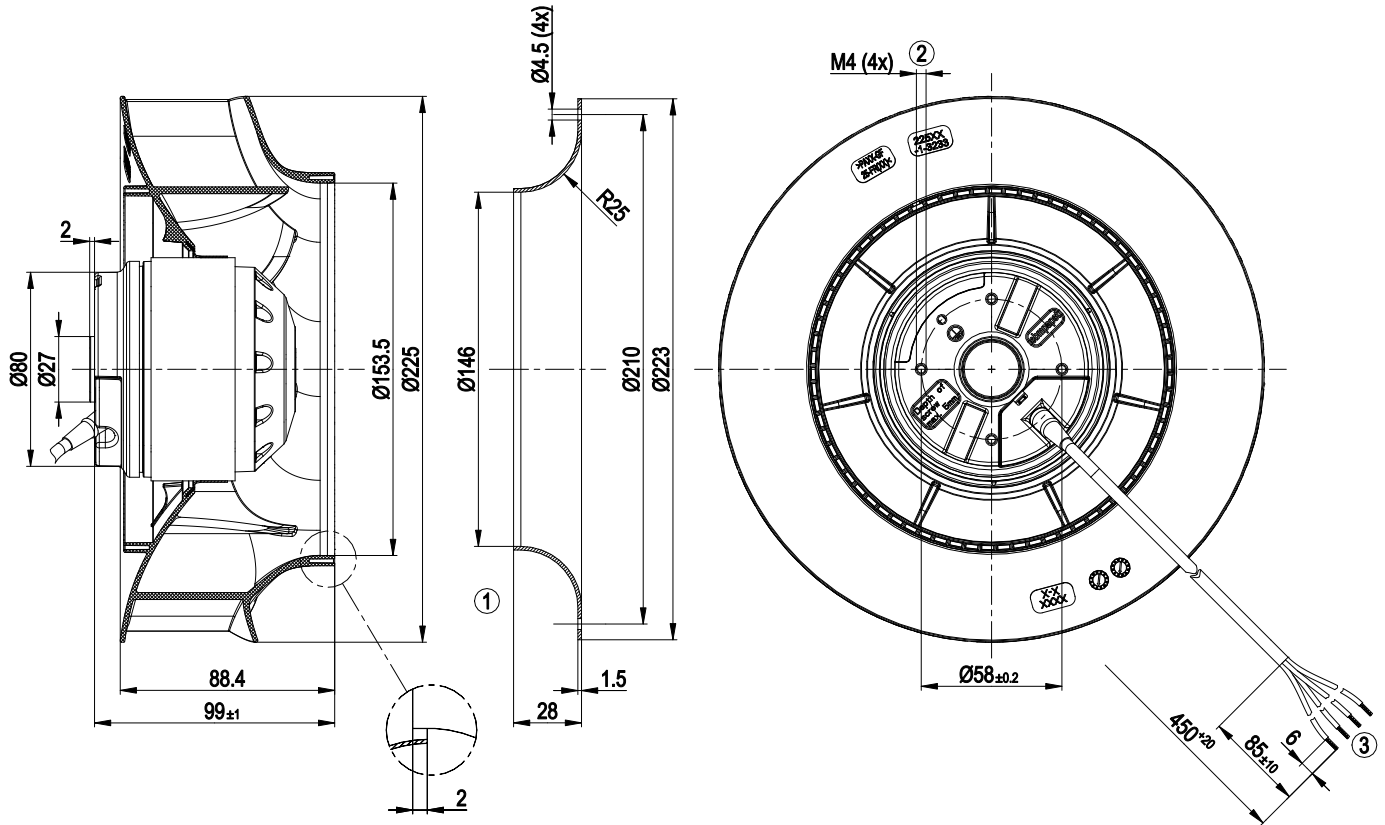
ml = Max. load · me = Max. efficiency · fa = Free air · cs = Customer specification · ce = Customer equipment  
Subject to change



### Technical description

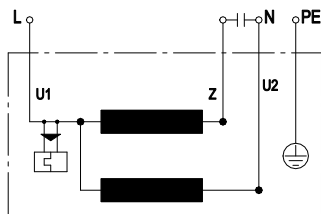
|  |   |
|--|---|
| Weight   | 2.3 kg  |
| Size   | 225 mm  |
| Motor size   | 68  |
| Rotor surface  | Unpainted   |
| Impeller material  | PA plastic  |
| Number of blades   | 7   |
| Direction of rotation  | Clockwise, viewed toward rotor                            |
| Degree of protection   | IP44; installation- and position-dependent                |
| Insulation class   | "B"   |
| Moisture (F) / Environmental (H) protection class                          | H0+   |
| Max. permitted ambient temp. for motor (transport/storage)                 | +80 °C  |
| Min. permitted ambient temp. for motor (transport/storage)                 | -40 °C  |
| Installation position  | Any   |
| Condensation drainage holes  | None  |
| Mode   | S1  |
| Motor bearing  | Ball bearing  |
| Touch current according to IEC 60990 (measuring circuit Fig. 4, TN system) | < 0.75 mA   |
| Motor protection   | Thermal overload protector (TOP) internally connected     |
| With cable   | Variable  |
| Protection class   | I (with customer connection of protective earth)          |
| Conformity with standards  | EN 60034-1; EN 60204-1; EN 60335-1                        |
| Comment on CE  | Commissioning not permitted in the European Economic Area |
| Approval   | CSA C22.2 No. 77; UL 1004-3                               |

## Product drawing



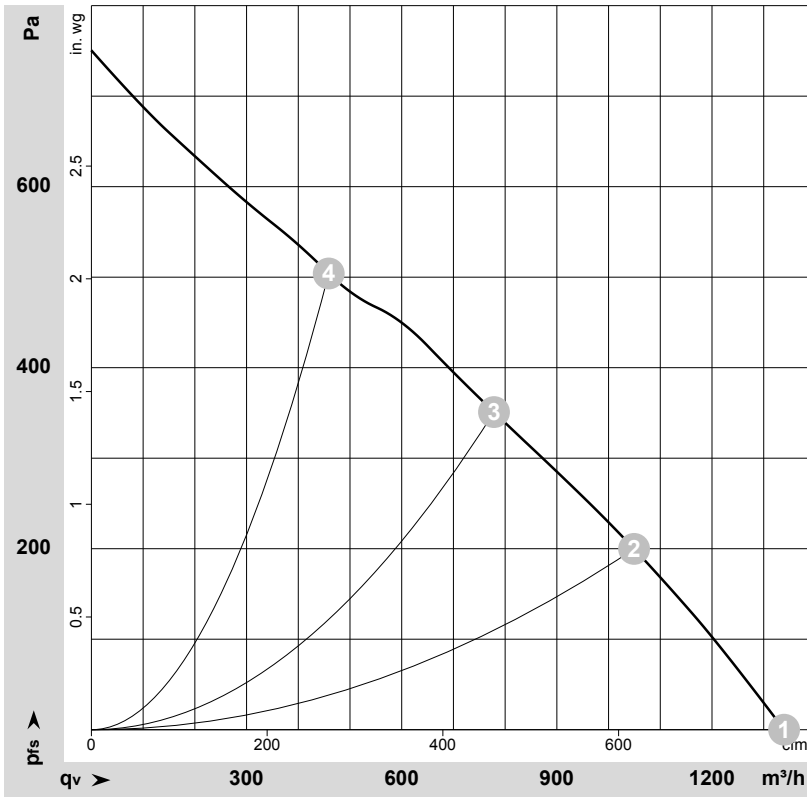
- |   |   |
|---|---|
| 1 | Accessory part: inlet ring 96358-2-4013 not included in scope of delivery |
| 2 | Max. clearance for screw 5 mm   |
| 3 | Cable PVC AWG20, 4x crimped splices                                       |

## Connection diagram



|    |              |   |       |    |       |
|----|--------------|---|-------|----|-------|
| U1 | blue         | Z | brown | U2 | black |
| PE | green/yellow |   |       |    |       |

## Curves: Air performance 60 Hz



$\rho = 1.15 \text{ kg/m}^3 \pm 2 \%$

Measurement: LU-128357-1

Air performance measured according to ISO 5801 installation category A. For detailed information on the measurement setup, contact ebmpapst. Intake sound level: Sound power level according to ISO 13347 / sound pressure level measured at 1 m distance from fan axis. The values given are valid under the specified measuring conditions and may vary due to conditions of installation. For deviations from the standard configuration, the parameters have to be checked on the installed unit.

## Measured values

|   | U   | f  | n                 | P <sub>e</sub> | I    | LpA <sub>in</sub> | LwA <sub>in</sub> | q <sub>v</sub>    | p <sub>fs</sub> | q <sub>v</sub> | p <sub>fs</sub> |
|---|-----|----|-------------------|----------------|------|-------------------|-------------------|-------------------|-----------------|----------------|-----------------|
|   | V   | Hz | min <sup>-1</sup> | W              | A    | dB(A)             | dB(A)             | m <sup>3</sup> /h | Pa              | cfm            | in. wg          |
| 1 | 115 | 60 | 3025              | 187            | 1.61 | 69                | 76                | 1340              | 0               | 790            | 0.00            |
| 2 | 115 | 60 | 2810              | 214            | 1.85 | 65                | 72                | 1050              | 200             | 615            | 0.80            |
| 3 | 115 | 60 | 2700              | 225            | 1.95 | 60                | 68                | 780               | 350             | 460            | 1.41            |
| 4 | 115 | 60 | 2865              | 207            | 1.79 | 63                | 71                | 460               | 500             | 270            | 2.01            |

U = Voltage · f = Frequency · n = Speed (rpm) · P<sub>e</sub> = Power consumption · I = Current draw · LpA<sub>in</sub> = Sound pressure level intake side · LwA<sub>in</sub> = Sound power level intake side  
 q<sub>v</sub> = Air flow · p<sub>fs</sub> = Pressure increase

