

5

4

3

2

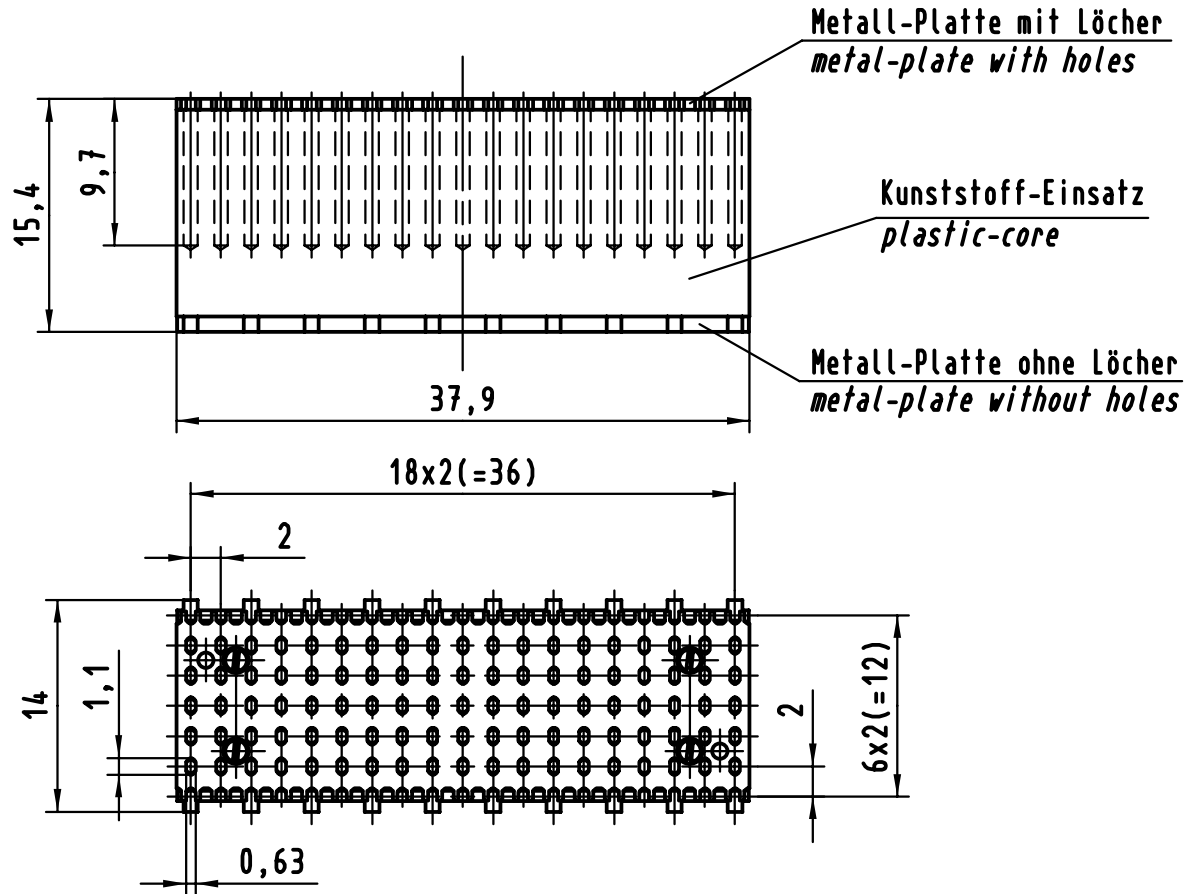
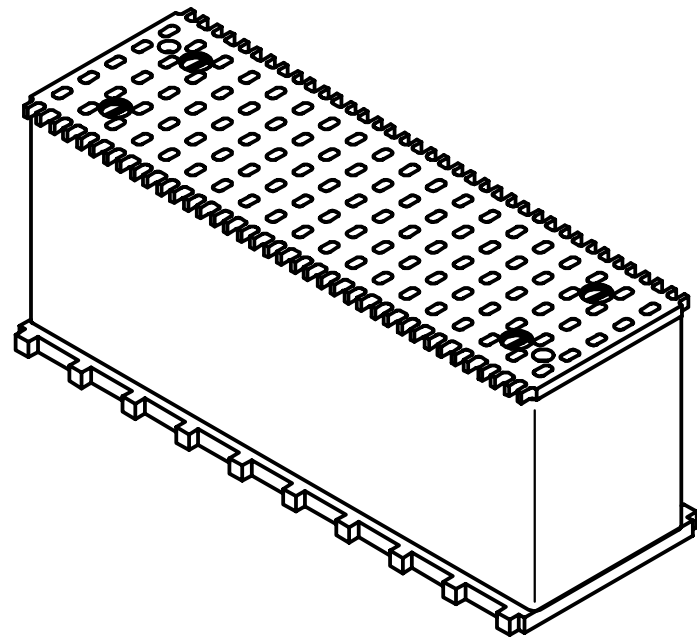
1

D

C

B

A



| | | | | | | | | |
|---------------|------|---|-----------------------------------|----------------------------|----------------------|---|---------------------------|--|
| | | All Dimensions in mm Original Size DIN A 4 | | Techn. Character. | | Nicht tolerierte Maßel Free size tolerances | | |
| | | | | Dat. 05.07.00 Name Hage | Maßstab/Scale 2:1 | Zahneinlegeeteil Tooth insert har-bus HM 38 (5+2) | | |
| | | | Insp. 05.07.00 Name Wae | | | | | |
| | | | Stand. | | | | | |
| 27588 Mod. | Dat. | Name | HARTING KGaA D-32339 ESPELKAMP | | | | TB 17 99 000 0068 Sub. | |
| | | | | | | | Blatt/ page | |