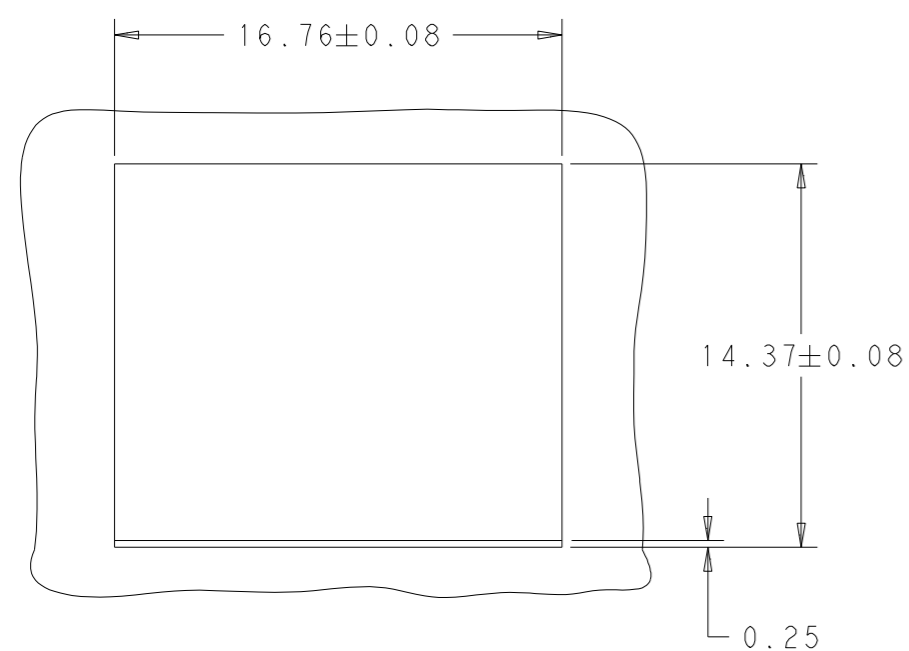
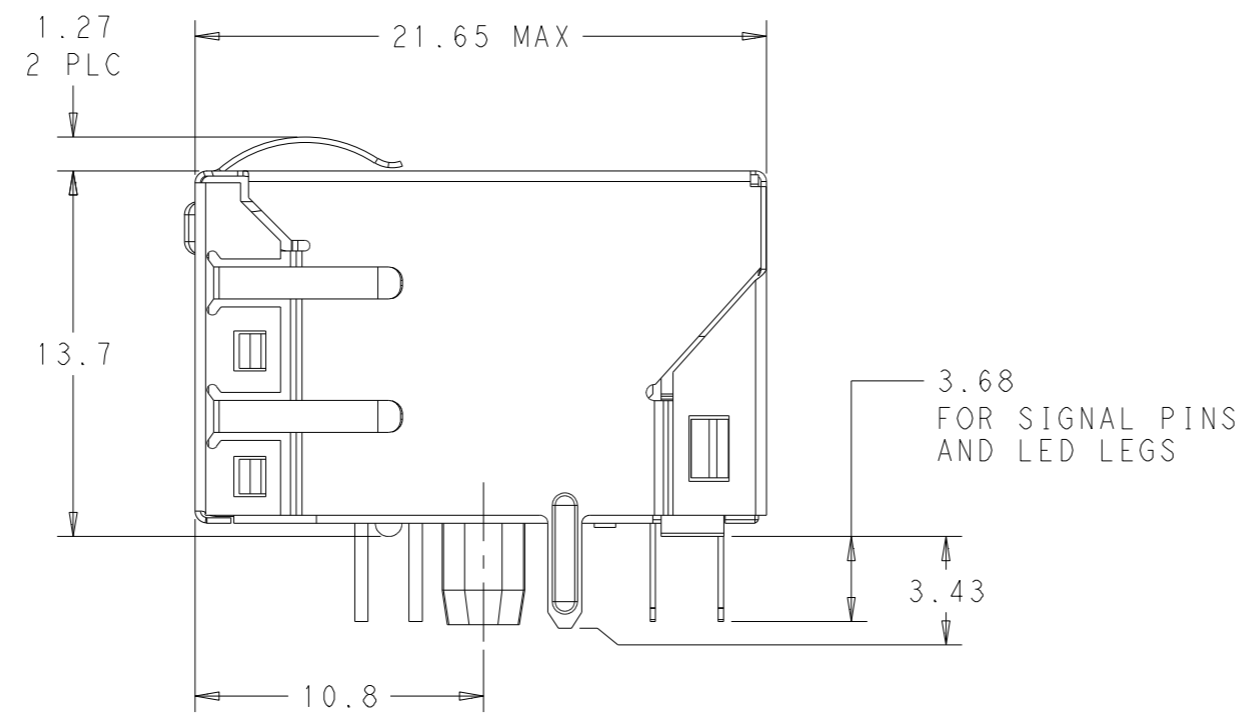
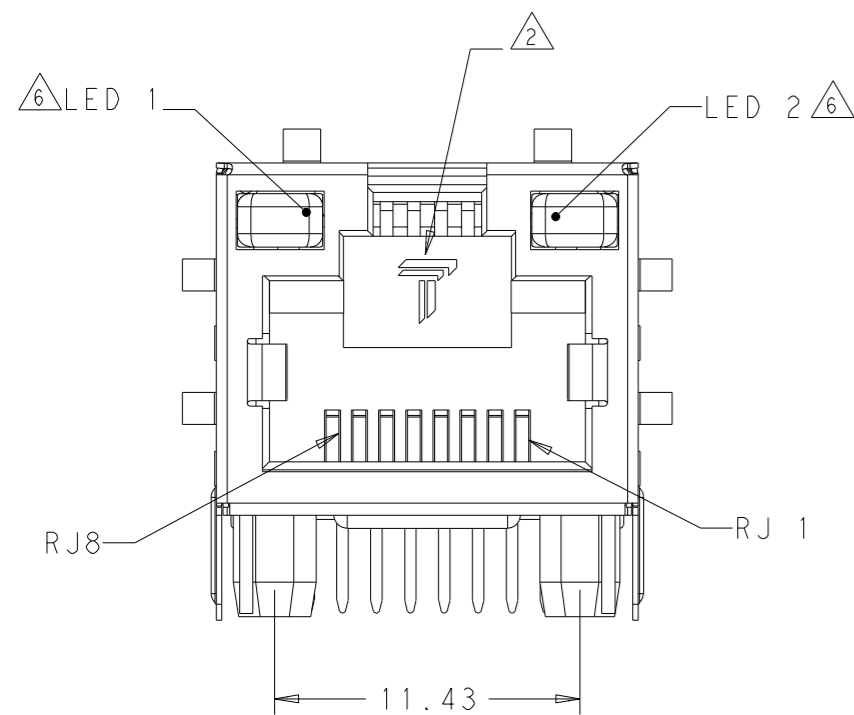
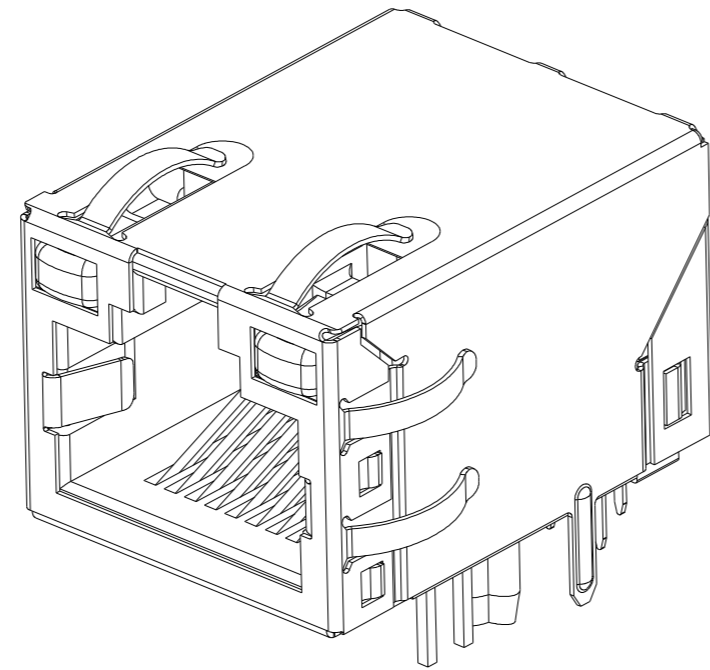
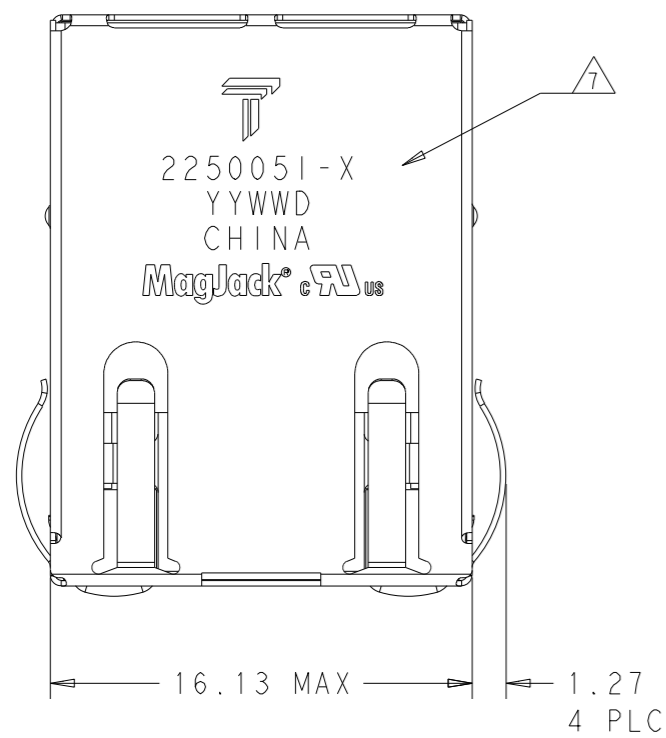


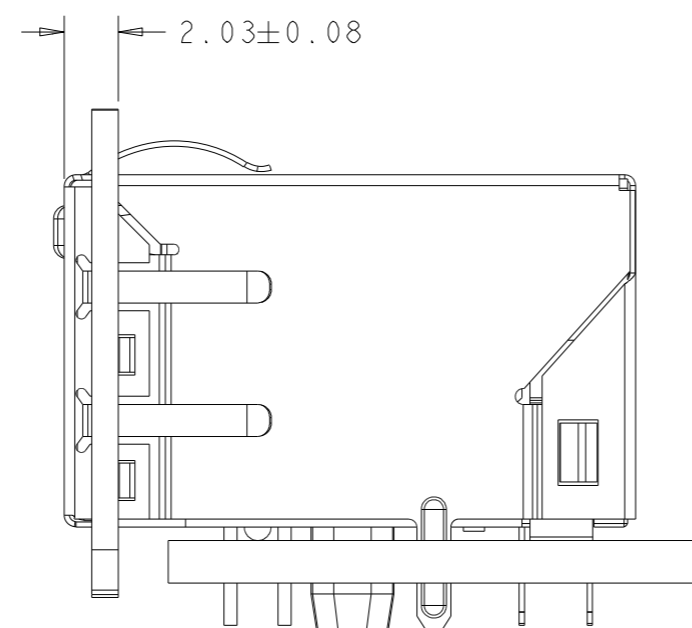
THIS DRAWING AND THE SUBJECT MATTER SHOWN THEREON ARE CONFIDENTIAL AND THE PROPERTY OF BEL/STEWART/TRP CONNECTOR AND SHALL NOT BE REPRODUCED, COPIED, OR USED IN ANY MANNER WITHOUT THE WRITTEN CONSENT OF TRP CONNECTOR.

PRODUCT MAY BE PROTECTED BY ONE OR MORE OF THE FOLLOWING US PATENTS:  
 5736910 5939955 6425781 6428361 6554638 6840817 7123117  
 7429195 7717749 7808751 6217391 6149050 7924130

REVISIONS				
#	LT#	DESCRIPTION	DATE	OWN APVD
4		EC-1411035 COMPANY LOGO CHANGE	04JAN2015	DP TY



SUGGESTED CUT PANEL AND PCB



1. MATERIALS

- HOUSING: THERMOPLASTIC, FLAMMABILITY RATING UL 94V-0.
- SHIELD: BRASS 0.20mm THICK, PREPLATED WITH 0.76um MIN SEMI-BRIGHT NICKEL. SOLDER TABS POST DIPPED WITH 2.54um MIN SAC SOLDER.
- CONTACTS: PHOSPHOR BRONZE 0.46mm X 0.30mm, PHOSPHOR BRONZE, 1.27um MIN NICKEL UNDERPLATE, WITH 1.27um MIN GOLD PLATING AT MATING INTERFACE AND 2.54um MIN MATTE TIN ON SOLDER TAILS, OR 1.27um MIN NICKEL UNDERPLATE, WITH 0.05um GOLD PLATING OVER 0.76um MIN PALLADIUM NICKEL PLATING AT MATING INTERFACE AND 2.54um MIN MATTE TIN ON SOLDER TAILS.
- SOLDER TAILS: 0.25mm THICK, PHOSPHOR BRONZE, 1.27um MIN OVERALL NICKEL UNDERPLATE, 3um TIN PLATE
- LIGHT EMITTING DIODE (LED): DIFFUSED EPOXY LENS, 0.5mm X 0.5mm CARBON STEEL WIREFRAME LEADS PREPLATED WITH 2.03um MIN. SILVER PLATE OVER 1.02um MIN. NICKEL OVER 1.02um MIN. COPPER UNDERPLATE; LEADS POST-PLATED WITH 3.05um MIN. MATTE TIN, TIP TIN DIPPING

2 RJ45 JACK CAVITY CONFORMS TO FCC RULES AND REGULATIONS PART 68 SUB PART F.

3. MAGNETICS

- APPLICATION: 10/100/1000 BASE-T
- IMPEDANCE: 100 OHMS
- TURNS RATIO (CHIP:CABLE): 1:1 ALL FOUR PAIRS
- OPEN CIRCUIT INDUCTANCE (OCL): 350uH MIN. @100kHz, 0.1VRMS, 8mADC BIAS FROM 0°C TO 70°C, ALL FOUR PAIRS
- ALL FOUR PAIRS BI-DIRECTIONAL
- PERFORMANCE @ 25°C:  
 INSERTION LOSS (IL): 1.1dB MAX. FROM 0.5MHz TO 100MHz  
 RETURN LOSS (RL): 18dB MIN FROM 0.5MHz TO 40MHz  
 12-20LOG(f/80)dB MIN. FROM 40.1MHz TO 100MHz  
 CROSSTALK ATTENUATION: 35dB MIN. FROM 0.5MHz TO 40MHz  
 33-20LOG(f/50)dB MIN. FROM 40.1MHz TO 100MHz  
 COMMON MODE REJECTION RATIO (CMRR): 30dB MIN. FROM 0.5MHz TO 100MHz
- ISOLATION VOLTAGE: 2250VDC FOR 60 SECONDS WITH A RISE TIME OF 500 V/SEC

4. OPERATING TEMPERATURE: FROM 0°C TO +70°C.

5 INDICATED MAGNETIC CONNECTIONS ARE SYMMETRICAL TO SUPPORT AUTO-MDI/MDIX.

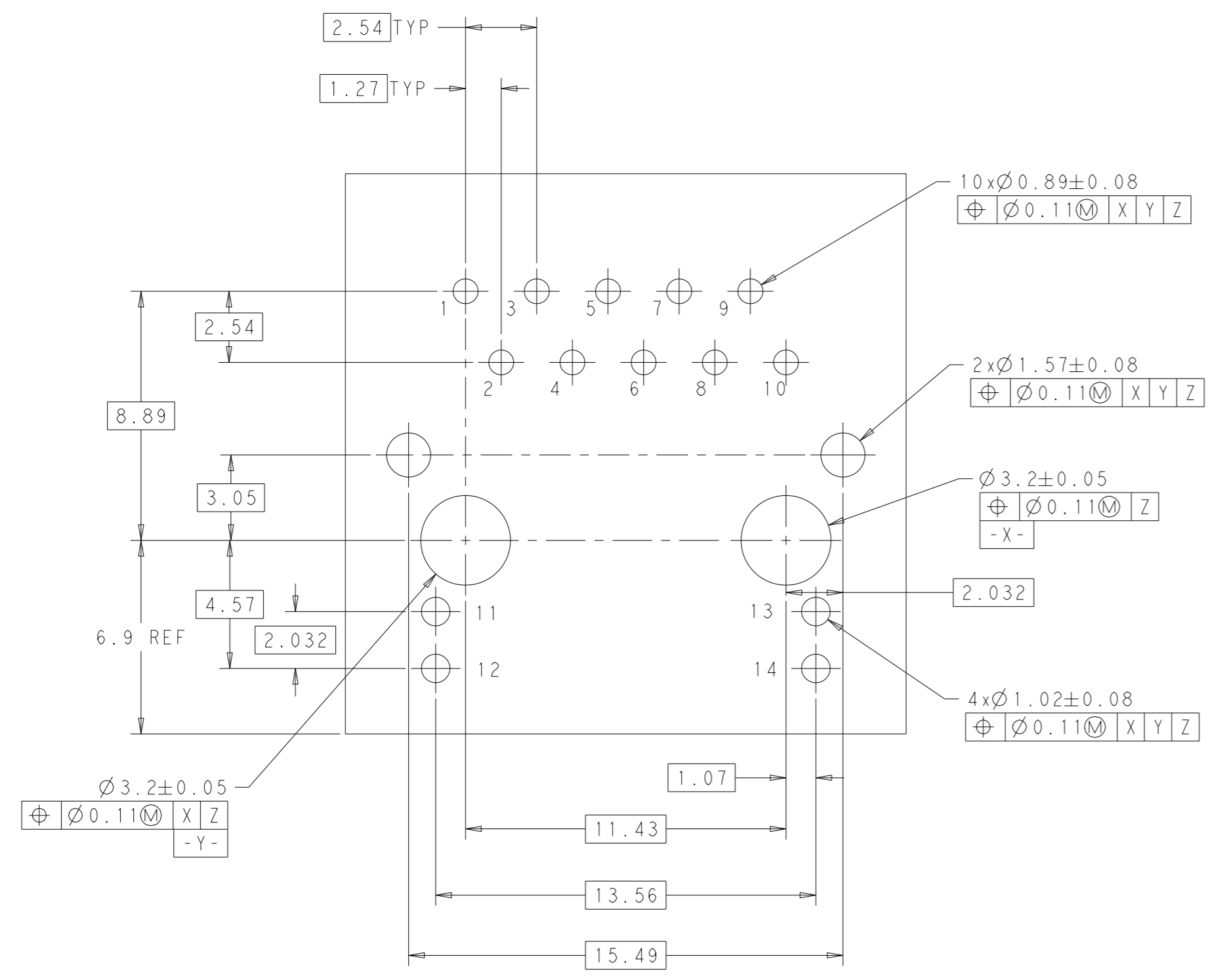
6 THE 250 OHM LED RESISTORS ARE OPTIONAL, PLEASE SEE CHART FOR PRESENCE OR ABSENCE OF RESISTORS. IF LEDS WITHOUT 250 OHM RESISTORS. LEDS ARE DRIVEN WITH CONSTANT CURRENT AT APPROX 20mA  
 LED COLOR: DOMINATE WAVELENGTH (λD): GREEN 568 nm TYP. AT IF = 20mA  
 FORWARD VOLTAGE (VF): GREEN 2.2V TYP. at IF = 20mA  
 DOMINATE WAVELENGTH (λD): YELLOW 588 nm TYP. AT IF = 20mA  
 FORWARD VOLTAGE (VF): YELLOW 2.1V TYP. at IF = 20mA  
 IF LEDS WITH 250 OHM RESISTORS. LEDS ARE DRIVEN WITH 5V VOLTAGE AND THE MAX OPERATING CURRENT IS 20mA  
 LED COLOR: DOMINATE WAVELENGTH (λD): GREEN 568 nm TYP. @ VF=5V  
 FORWARD CURRENT (IF): GREEN 12mA TYP @ VF = 5V  
 DOMINATE WAVELENGTH (λD): YELLOW 588 nm TYP. @ VF=5V  
 FORWARD CURRENT (IF): YELLOW 13mA TYP @ VF = 5V

7 TRP CONNECTOR LOGO, PART NUMBER, DATE CODE, COUNTRY OF ORIGIN AND AGENCY APPROVAL MARKING IN APPROXIMATE LOCATION SHOWN. DATE CODE: YYWW WHERE YY IS YEAR, WW IS WORK WEEK, D IS DAY OF WEEK, WITH SUNDAY=1.

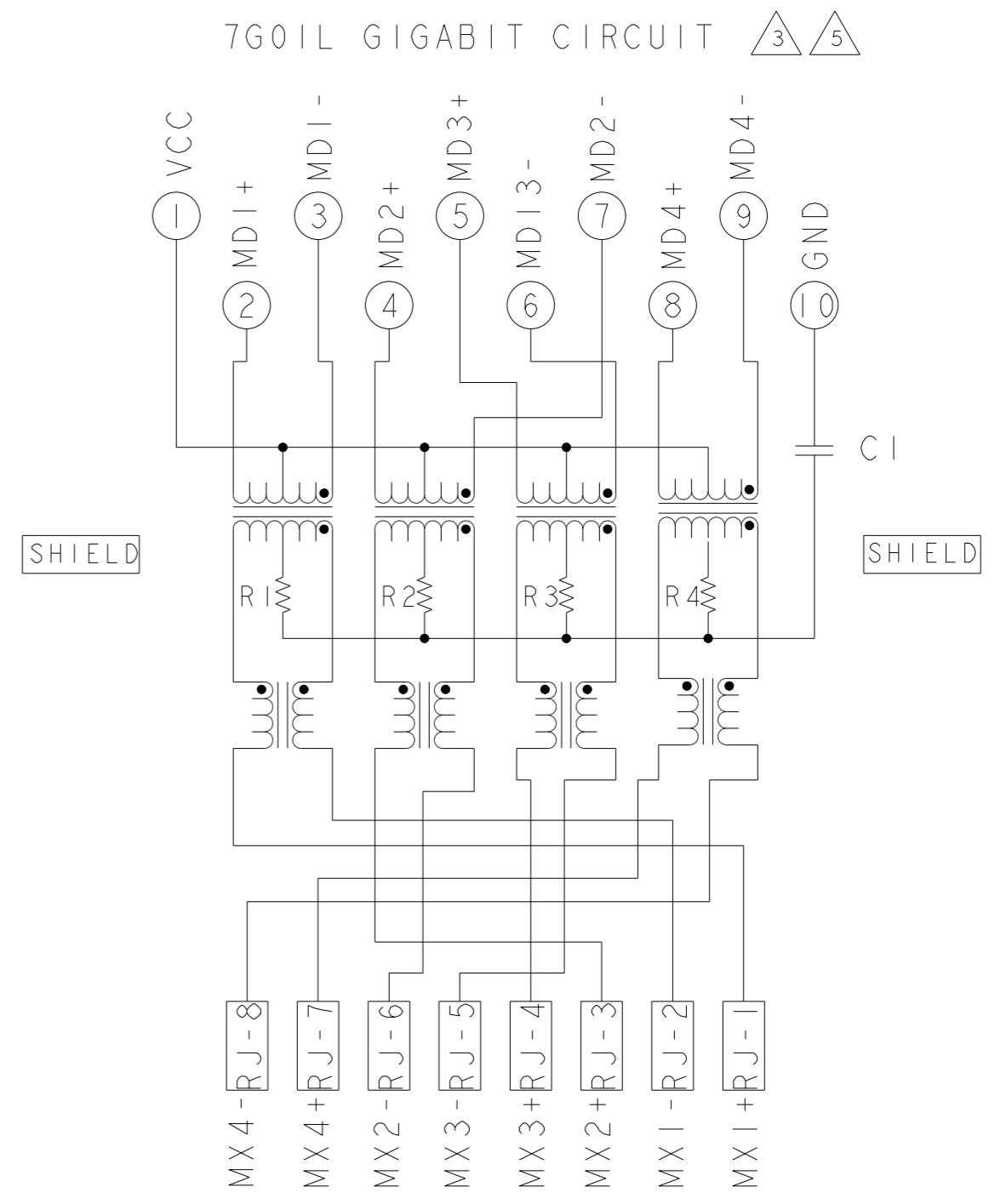
8. PART SHOULD BE RECOMMENDED FOR WAVE SOLDERING PROCESS, PREHEAT TEMPERATURE IS 120°C TO 160°C, 120 SECONDS TO 180 SECONDS, PEAK WAVE SOLDERING TEMPERATURE IS 260°C MAX, 10 SECONDS MAX.

GREEN	YELLOW	NO	GREEN	YELLOW	NO	2250051-5
GREEN	-	YES	GREEN	-	YES	2250051-4
GREEN	-	NO	GREEN	-	NO	2250051-3
GREEN	YELLOW	NO	GREEN	-	NO	2250051-2
GREEN	-	YES	YELLOW	-	YES	2250051-1
11-12	12-11	250 OHMS RESISTOR	13-14	14-13	250 OHMS RESISTOR	PART NUMBER
LED 1			LED 2			

THIS DRAWING IS A CONTROLLED DOCUMENT.		OWN ROY LIU 06 JUN 2013	 DONGGUAN CHINA
DIMENSIONS: mm		CHK TOWER YU / FRANK LIU 06 JUN 2013	
TOLERANCES UNLESS OTHERWISE SPECIFIED:		APVD TONY YUAN 06 JUN 2013	
0 PLC ±0.25	1 PLC ±0.25	2 PLC ±0.25	MODEL NAME
3 PLC ±0.25	4 PLC ±	ANGLES ±	DESC
PRODUCT SPEC	APPLICATION SPEC		MAGJACK
			SINGLE NON-POE
			SIZE CAGE CODE DRAWING NO RESTRICTED TO
			A1 C=2250051
			CUSTOMER DRAWING SCALE 4:1 SHEET 1 OF 3 REV 4



SUGGESTED CUSTOMER BOARD LAYOUT  
 (COMPONENT SIDE)




R1-R4=75 Ohms, RESISTORS  
 C1=1000 pF, CAPACITOR

THIS DRAWING IS A CONTROLLED DOCUMENT.		DWN ROY LIU 06 JUN 2013	 DONGGUAN CHINA
DIMENSIONS: mm		CHK TOWER YU / FRANK LIU 06 JUN 2013	
TOLERANCES UNLESS OTHERWISE SPECIFIED: 0 PLC $\pm 0.25$ 1 PLC $\pm 0.25$ 2 PLC $\pm 0.25$ 3 PLC $\pm 0.25$ 4 PLC $\pm$ ANGLES $\pm$		APPR TONY YUAN 06 JUN 2013	
PRODUCT SPEC	APPLICATION SPEC	MODEL NAME MAGJACK	DESC 1X1 7G01L GIGABIT TAB UP W/ LED
		SIZE A 1	RESTRICTED TO
		CAGE CODE 2250051	SCALE 4:1
		CUSTOMER DRAWING	SHEET 2 OF 3 REV 4

C_2250051					STOCK DISPOSITION			
REVISION HISTORY					A: CONTINUE AS IS B: REWORK C: SCRAP		D: USE OLD FIRST E: PARTS TO CONFORM F: OTHER	
DATE	REV	CHANGES	REASON	APPROVAL	INVENTORY (A,B,C,D,E,F)	WORK IN PROCESS (A,B,C,F)	SUPPLIER ORDERS (A,E,F)	OPEN CUST ORDERS (A,E,F)
06JUN2013	1	-	INITIAL RELEASE	TONY YUAN	-	-	-	-
10SEP2013	2	ITEM BLOCK: ADD LED 2	ERROR CORRECTION	TONY YUAN	-	-	-	-
20OCT2014	3	ADD DASH NUMBER 2250051-5 FOR BI-COLOR LEDS ON BOTH SIDES	MARKET REQUEST	TONY YUAN	A	A	A	A
04JAN2015	4	EC-1411035 COMPANY LOGO CHANGE	MARKET REQUEST	TONY YUAN	-	-	-	-

THIS DRAWING IS A CONTROLLED DOCUMENT.

DRW	ROY LIU	06 JUN 2013
CHK	TOWER YU / FRANK LIU	06 JUN 2013
APP'D	TONY YUAN	06 JUN 2013



**trp** CONNECTOR  
a bel group

DONGGUAN CHINA

MODEL NAME	MAGJACK	DESC	IXI 7G01L GIGABIT TAB UP W/ LED
PRODUCT SPEC	SINGLE NON-POE	SIZE	A1
CAGE CODE		DRAWING NO	C=2250051
CUSTOMER DRAWING		SCALE	4:1
		SHEET	3 OF 3
		REV	4