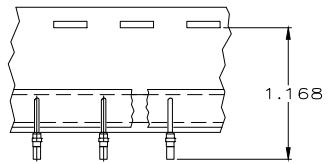
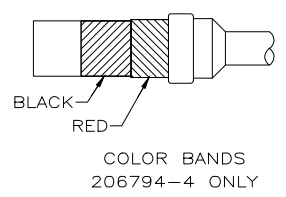
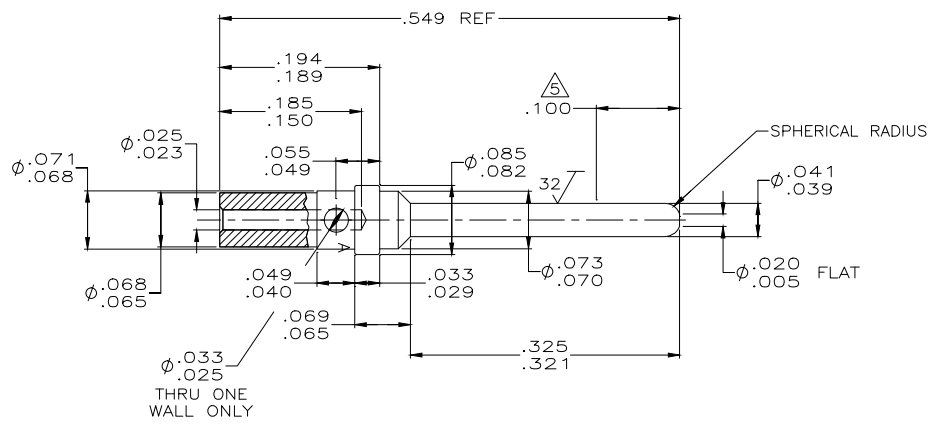


THIS DRAWING IS UNPUBLISHED. RELEASED FOR PUBLICATION
 © COPYRIGHT - By - ALL RIGHTS RESERVED.

REVISIONS				
P	LTR	DESCRIPTION	DATE	DWN APVD
H		REV PER ECO 17-002439	11MAR11	CT RL

- ALL DIMENSIONS APPLY AFTER PLATING.
- THIS PART COMPLIES WITH SPEC. MIL-C-24308/11, EXCEPT WIRE BARREL.
- ALL DIAMETERS CONCENTRIC WITH EACH OTHER WITHIN .004 T.I.R.
- ALL SURFACES HAVE A 63 SURFACE FINISH OR BETTER UNLESS OTHERWISE NOTED.
- POINT OF PLATING MEASUREMENT.
- FINISH: PLATED GOLD PER ASTM-B-488 OVER COPPER PER AMS-2418.
- RESTRICTED TO SPACE SYSTEMS LORAL.
- FINISH: PLATED GOLD PER ASTM-B-488 OVER NICKEL PER AMS-QQ-N-290.



TAPE MOUNTED
 206794-3 ONLY
 SCALE: NTS

NO COLOR CODE		COPPER ALLOY	206794-7
NO COLOR CODE		COPPER ALLOY	206794-6
TAPE MOUNTED		206794-4	206794-5
COLOR CODED		206794-2	206794-4
TAPE MOUNTED		206794-2	206794-3
AS SHOWN		COPPER ALLOY #187	206794-2
REMARKS	FINISH	MATERIAL	PART NUMBER

THIS DRAWING IS A CONTROLLED DOCUMENT.		DWN C.C.THOMAS 7/24/00			
DIMENSIONS: INCHES		CHK R.GROSS 9-5-00			
TOLERANCES UNLESS OTHERWISE SPECIFIED:		APVD R.GROSS 9-5-00		PRODUCT SPEC	
0 PLC ± - 1 PLC ± - 2 PLC ± - 3 PLC ± .025 4 PLC ± - ± 2° ANGLES		APPLICATION SPEC		SIZE CAGE CODE DRAWING NO	
MATERIAL COPPER ALLOY		FINISH SEE TABLE		RESTRICTED TO	
WEIGHT 0.000000		A2 00779 C=206794		SCALE 10:1 SHEET 1 of 1 REV H	
CUSTOMER DRAWING					