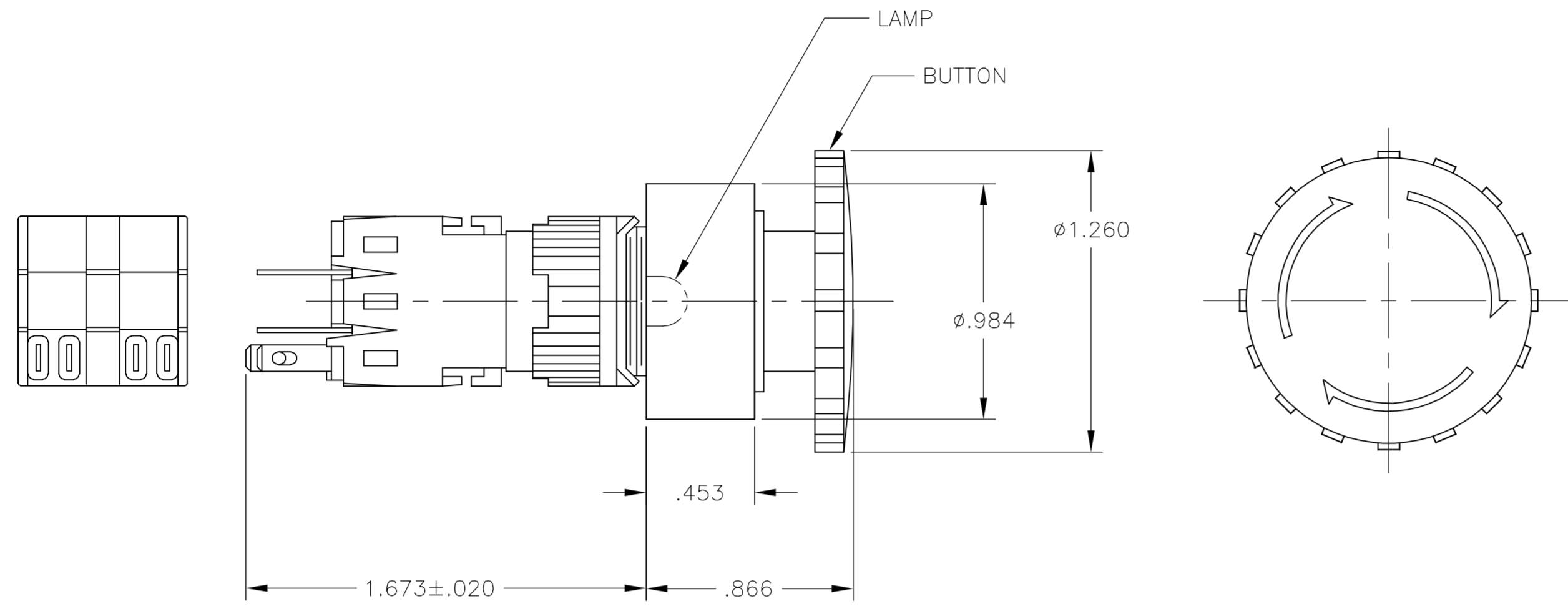


THIS DRAWING IS UNPUBLISHED. RELEASED FOR PUBLICATION  
 © COPYRIGHT BY TYCO ELECTRONICS CORPORATION. ALL RIGHTS RESERVED.

| LOC |     | DIST        |              | REVISIONS |     |      |  |
|-----|-----|-------------|--------------|-----------|-----|------|--|
| P   | LTR | DESCRIPTION |              | DATE      | DWN | APVD |  |
| AD  | 00  | A           | ECO-06-19196 | 10AUG06   | MB  | MS   |  |



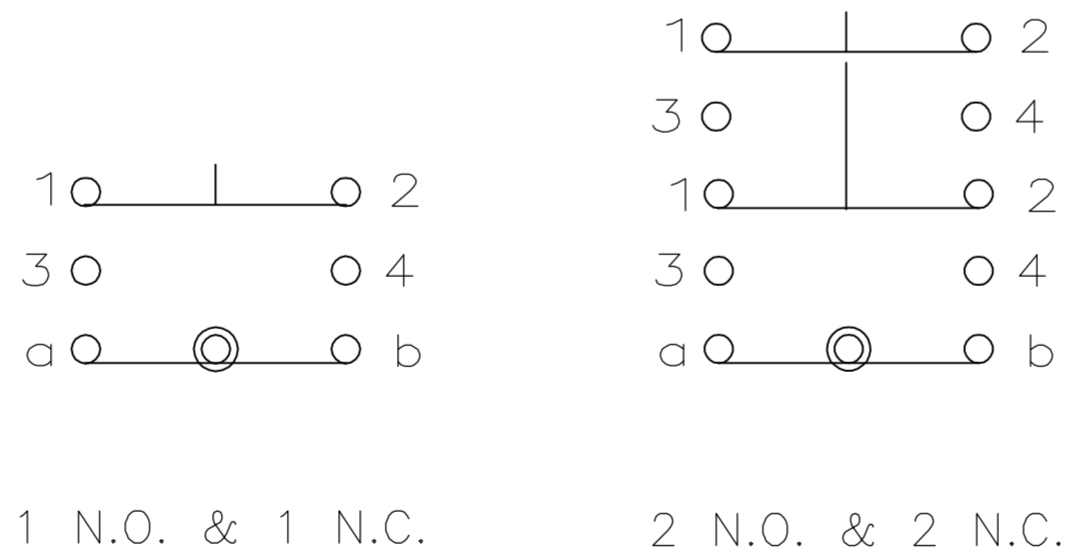
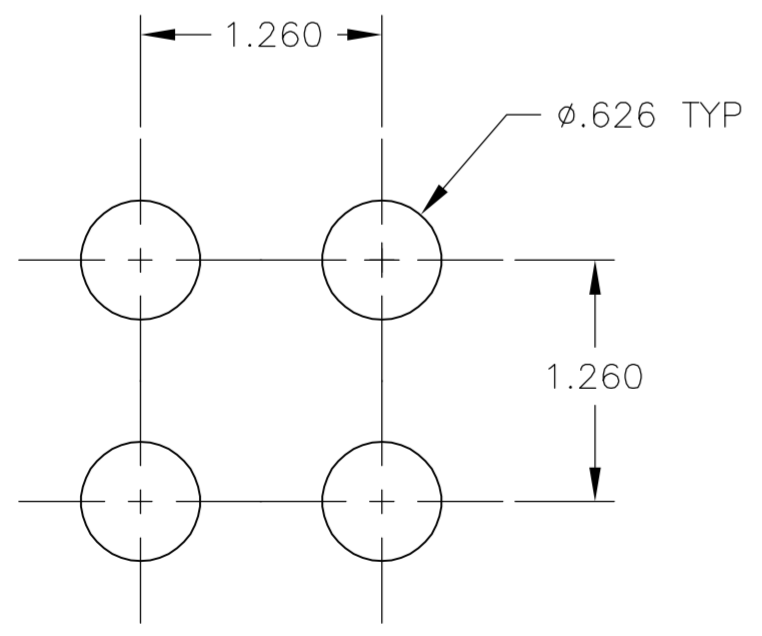
**SPECIFICATIONS:**

**MATERIALS:**  
 MOVEABLE CONTACT: COPPER ALLOY, GOLD PLATE OVER SILVER CLAD.  
 FIXED CONTACT: COPPER ALLOY, GOLD PLATE OVER SILVER CLAD.

**ELECTRICAL:**  
 CONTACT RATING: 0.4VA @ 20VDC OR PEAK AC.  
 5 AMPS @ 250VAC OR 24VDC (RESISTANCE).  
 INITIAL CONTACT RESISTANCE: 20 MILLIOHMS MAX  
 INSULATION RESISTANCE: 100 MEGOHMS MINIMUM  
 DIELECTRIC STRENGTH: 1500 VOLTS RMS @ SEA LEVEL  
 LIFE EXPECTANCY: 100,000 OPERATIONS AT RATED CURRENT

**ENVIRONMENTAL:**  
 OPERATING TEMPERATURE: -4 F TO 122 F  
 (-20 C TO 50 C)  
 STORAGE TEMPERATURE: -4 F TO 122 F  
 (-20 C TO 50 C)

- NOTES:**
- ALL MATERIALS AND FINISHES SHALL COMPLY WITH EU DIRECTIVE 2002/95/EC OF 27JAN2003 (ROHS)
  - OILTIGHT MODEL MEETS NEMA 1, 12, 13 REQUIREMENTS
  - UL RECOGNIZED E-51302
  - PANEL THICKNESS: .197 MAX



**CONTACT DIAGRAM**  
 (BUTTON NOT DEPRESSED)

**PANEL CUTOUT**  
 TOLERANCE +/- .002  
 SCALE 1:1

| ACTION            | CONTACTS        | LED COLOR | TYCO PT. NO. |
|-------------------|-----------------|-----------|--------------|
| PUSH ON/TWIST OFF | 2 N.O. & 2 N.C. | RED       | 1825207-2    |
| PUSH ON/TWIST OFF | 1 N.O. & 1 N.C. | RED       | 1825207-1    |

|  |  |                       |   |                 |
|--|--|-----------------------|---|-----------------|
| THIS DRAWING IS A CONTROLLED DOCUMENT.   |  | DWN R BROWN 25APR05   | Tyco Electronics Corporation<br>Harrisburg, Pa 17105-3608 |                 |
| DIMENSIONS: INCHES   |  | CHK M SARVER 25APR05  |   |                 |
| TOLERANCES UNLESS OTHERWISE SPECIFIED:   |  | APVD M SARVER 25APR05 | NAME ILLUMINATED PUSHBUTTON MUSHROOM HEAD                 |                 |
| 0 PLC ± -<br>1 PLC ± -<br>2 PLC ± -<br>3 PLC ± .010<br>4 PLC ± -<br>ANGLES ± -<br>FINISH - |  | PRODUCT SPEC -        | SIZE A2   | CAGE CODE 00779 |
| MATERIAL -   |  | APPLICATION SPEC -    | DRAWING NO C=1825207                                      | RESTRICTED TO - |
|  |  | WEIGHT -              | SCALE 2:1   | SHEET 1 OF 1    |
|  |  | CUSTOMER DRAWING      | REV A   |                 |

1825207