

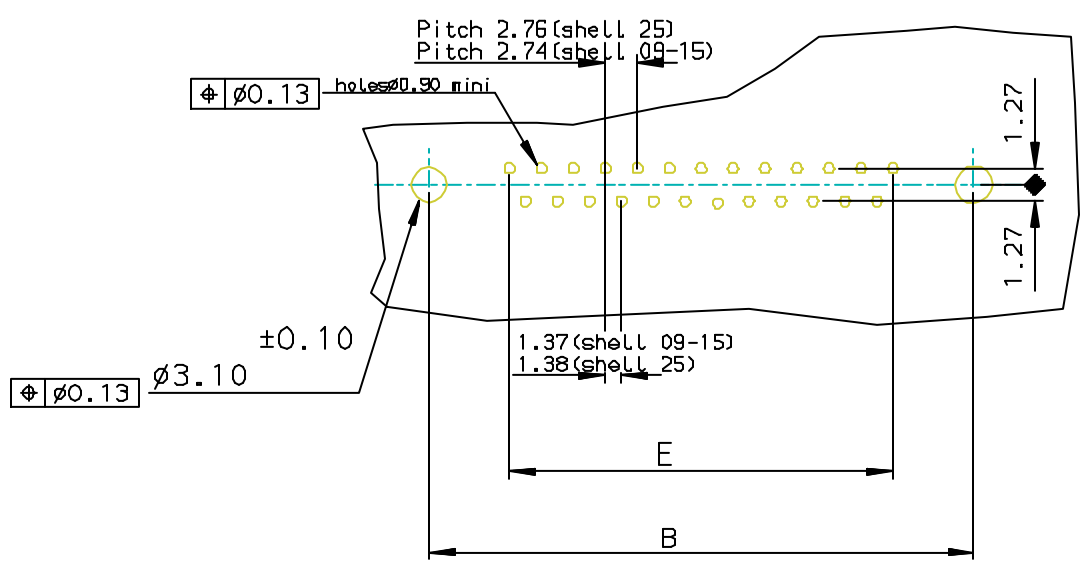
Part Number & Date Code Printing

PC card drilling dimensions (after plating)  
(thickness 1.60 ±0.20mm)

| Core range |        |        |        |        |        |                |
|------------|--------|--------|--------|--------|--------|----------------|
| SHELL      | A±0.38 | B±0.12 | C±0.10 | D±0.25 | G±0.25 | PART NUMBER    |
| 09         | 30.81  | 24.99  | 16.96  | 16.79  | 5.90   | D09P13A4GX00** |
| 15         | 39.14  | 33.32  | 25.18  | 25.12  | 5.90   | D15P13A4GX00** |
| 25         | 53.03  | 47.04  | 39.12  | 38.84  | 5.70   | D25P13A4GX00** |

GENERAL CHARACTERISTICS - SEE DRAWING C01-8646-0000

LF FOR LEAD FREE



| rev | ecn no   | dr | date       |
|-----|----------|----|------------|
| J   | 105-0124 | JS | 2005/07/27 |
| K   | 106-0074 | SK | 2006/06/08 |
| -   | -        | -  | -          |
| -   | -        | -  | -          |
| -   | -        | -  | -          |
| -   | -        | -  | -          |

|                                       |             |                       |  |                  |
|---------------------------------------|-------------|-----------------------|--|------------------|
| www.fciconnect.com                    |             | surface<br>ISO 1302 ✓ | tolerance std<br>ISO 406 ISO 1101  | projection<br>mm |
| TOLERANCES UNLESS OTHERWISE SPECIFIED |             |                       |  |                  |
| Dr                                    | JOHN SLEEBA | 1994/08/01            | ANGULAR  | size A3          |
| Eng                                   | GEORGE VJ   | 1994/08/01            | LINEAR   | Scale 1:1        |
| Chr                                   | GEORGE VJ   | 2005/07/27            | 0.XX ±1°   | ECN -            |
| Appr                                  | KVSD        | 2005/07/27            | Product family   | Spec ref -       |
| FCi                                   |             |                       | title<br>MALE CONNECT.DELTA D RIGHT ANGLED<br>WITH NUT, HARPOON & METAL PLATE. | Rev. K           |
| catalog no                            |             |                       | DELTA-D  | sheet 1 of 1     |
| drawing no                            |             |                       | C01-8646-0281-1  | CUSTOMER         |

European Views



Copyright FCI.

REV F - 2006-04-17