

| REVISIONS | | | | |
|-----------|-----|------------------|-----------|------|
| P | LTR | DESCRIPTION | DATE | APVD |
| C | | PRODUCTION ISSUE | 18JAN2019 | MT |

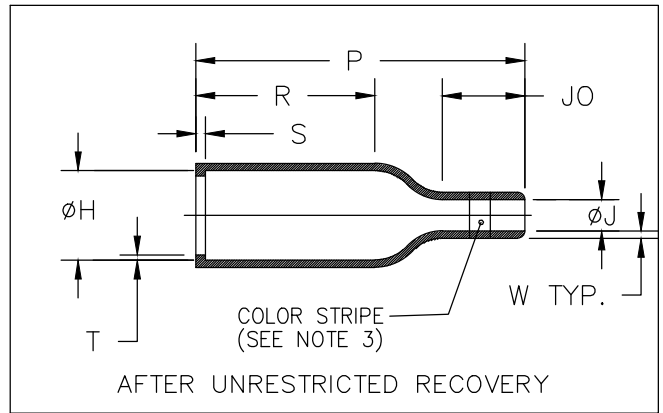
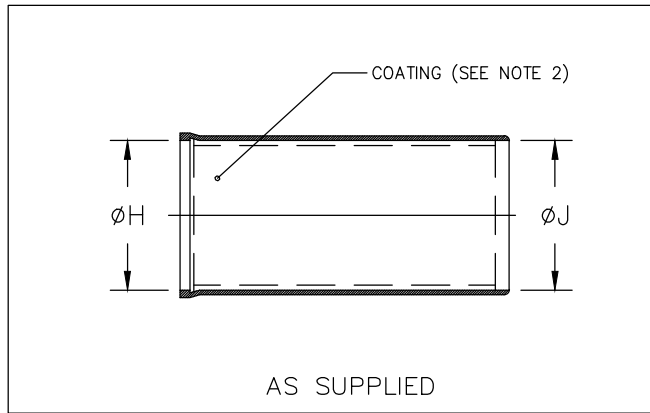


TABLE OF DIMENSIONS

| PART NUMBER | H | | J | | | P | R | S | T | JO | W |
|--------------|-----------------|----------------|-------------------|-----------------|----------------|-----------------|----------------|--------------|----------------|----------------|---------------|
| | Min a | Max b | Min -3,-4 a | Min -12 a | Max b | ±10% b | Ref b | Ref b | Ref b | ±10% b | ±20% b |
| 202D121-X-60 | 23.3 [.92] | 10.5 [.41] | 23.3 [.92] | 12.4 [.49] | 5.6 [.22] | 38.1 [1.50] | 21.1 [.83] | 3.0 [.12] | 1.0 [.04] | 10.2 [.40] | 1.78 [.07] |
| 202D132-X-60 | 2]8.4 [1.12] | 14.3 [.56] | 28.4 [1.12] | 14.7 [.58] | 6.6 [.26] | 54.9 [2.16] | 27.7 [1.09] | 3.0 [.12] | 1.0 [.04] | 16.5 [.65] | 1.78 [.07] |
| 202D142-X-60 | 31.0 [1.22] | 17.8 [.70] | 31.0 [1.22] | 16.0 [.63] | 7.2 [.28] | 66.8 [2.63] | 35.3 [1.39] | 3.0 [.12] | 1.0 [.04] | 17.8 [.70] | 2.03 [.08] |
| 202D153-X-60 | 36.0 [1.42] | 22.4 [.88] | 36.0 [1.42] | 18.5 [.73] | 8.4 [.33] | 80.0 [3.15] | 41.4 [1.63] | 3.0 [.12] | 1.0 [.04] | 20.8 [.82] | 2.03 [.08] |
| 202D163-X-60 | 42.7 [1.68] | 28.2 [1.11] | 42.7 [1.68] | 22.0 [.87] | 9.9 [.39] | 103.6 [4.08] | 56.4 [2.22] | 3.0 [.12] | 1.65 [.065] | 24.6 [.97] | 2.29 [.09] |
| 202D174-X-60 | 51.8 [2.04] | 35.1 [1.38] | 51.8 [2.04] | 35.3 [1.39] | 15.8 [.62] | 130.3 [5.13] | 64.5 [2.54] | 3.0 [.12] | 1.65 [.065] | 39.6 [1.56] | 3.3 [.13] |
| 202D185-X-60 | 66.0 [2.60] | 44.5 [1.75] | 66.0 [2.60] | 45.7 [1.80] | 20.4 [.80] | 165.1 [6.50] | 84.1 [3.31] | 3.0 [.12] | 2.0 [.08] | 48.3 [1.90] | 4.06 [.16] |
| 202D196-X-60 | 81.7 [3.22] | 57.6 [2.27] | 81.7 [3.22] | 57.1 [2.25] | 25.4 [1.00] | 177.8 [7.00] | 95.3 [3.75] | 3.0 [.12] | 2.0 [.08] | 47.8 [1.88] | 4.06 [.16] |

RELEASED FOR PUBLICATION

ALL RIGHTS RESERVED.

TE Connectivity Ltd.



THIS DRAWING IS UNPUBLISHED.

| | | | |
|--|---------------------------------|-------------------------------------|---------------|
| DIMENSIONS: mm [INCHES] | DWN PRAVEEN N T 18JAN2019 | MATERIAL SEE SHEET 2 | FINISH - |
| | CHK N NAGAR 18JAN2019 | TE Connectivity Ltd. | |
| TOLERANCES UNLESS OTHERWISE SPECIFIED: | APVD M TAYLOR 18JAN2019 | | |
| 0 PLC ± - | PRODUCT SPEC | NAME BOOT, STRAIGHT, WITH LIP | |
| 1 PLC ± - | - | SIZE | RESTRICTED TO |
| 2 PLC ± - | APPLICATION SPEC | CAGE CODE | - |
| 3 PLC ± - | - | DRAWING NO | |
| 4 PLC ± - | - | WEIGHT | A4 00779 |
| ANGLES ± - | - | DRAWING NO C-202D1XX-XX-60-0 | |
| | | CUSTOMER DRAWING | |
| SCALE DNS | | SHEET 1 OF 2 | REV C |

| REVISIONS | | | | | |
|-----------|-----|-------------|------|-----|------|
| P | LTR | DESCRIPTION | DATE | DWN | APVD |
| | - | SEE SHEET 1 | - | - | - |

| COMPATABILITY CHART | | | | |
|---------------------|---------------------------|---------|-------------------|----------------------|
| MATERIAL DASH NO. | MATERIAL DESCRIPTION | RT SPEC | COATING SLASH NO. | COATING S NO. |
| -3 | Polyolefin, Semi-rigid | RT-301 | /42;/86;/180 | S-1017;S-1048;S-1030 |
| -4 | Polyolefin, Flexible | RT-1304 | /42;/86;/180 | S-1017;S-1048;S-1030 |
| -12 | Fluoroelastomer, Flexible | RT-1312 | N/A | N/A |
| | | | | |
| | | | | |

ORDERING INFORMATION

202D1XX
-XX
-XX
/XX
-0

Base part number _____

Material dash number _____
(See Compatability Chart)

Modification number _____

Adhesive slash number _____
(If necessary, see Compatability Chart)

Color Designator _____

NOTES:

- Dimensions appearing in table are as follows:
 - a - As Supplied
 - b - After Unrestricted Recovery
- Coating is optional. As supplied dimensions appearing in table are for uncoated parts. When coating is added, entry diameters will be reduced by 1.5mm[.06] max.
- Parts shall have color stripe 3.05[.12] wide x 360° around outside surface approx. as shown and must meet requirements set forth in MS3109. colors shall be as follows:

| | |
|----------|--------|
| Dash No. | Color |
| -3 | White |
| -4 | Red |
| -12 | Yellow |


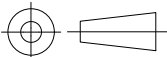
- Parts to have only one lip because of core change.

RELEASED FOR PUBLICATION

ALL RIGHTS RESERVED.

COPYRIGHT - TE Connectivity Ltd.

THIS DRAWING IS UNPUBLISHED.

| | | | | | | |
|---|-------------|------------------|---|-----------|-------------------|---------------|
| DIMENSIONS: mm [INCHES] | DWN | 18JAN2019 | MATERIAL | - | FINISH | - |
| | PRAVEEN N T | |  TE Connectivity Ltd. | | | |
| TOLERANCES UNLESS OTHERWISE SPECIFIED: | CHK | 18JAN2019 | | | | |
| 0 PLC ± - 1 PLC ± - 2 PLC ± - 3 PLC ± - 4 PLC ± - ANGLES ± - | N NAGAR | | | | | |
| | APVD | 18JAN2019 | | | | |
| M TAYLOR | | PRODUCT SPEC | NAME BOOT, STRAIGHT, WITH LIP | | | |
| | | APPLICATION SPEC | | | | |
| | | WEIGHT | SIZE | CAGE CODE | DRAWING NO | RESTRICTED TO |
| | | | A4 | 00779 | C-202D1XX-XX-60-0 | - |
|  | | | CUSTOMER DRAWING | | SCALE | DNS |
| | | | | | SHEET | 2 OF 2 |
| | | | | | REV | C |