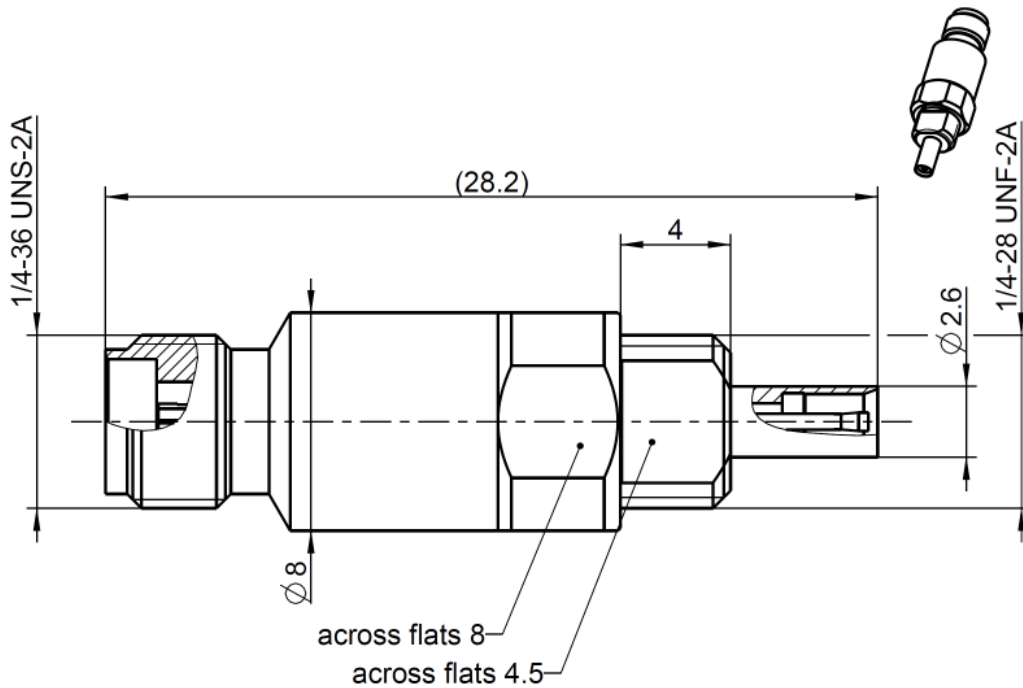


RPC-2.92 Adaptor  
RPC-2.92 JACK –  
Mini-Coax 40 GHz JACK

**02K123-K00S3**



All dimensions are in mm; tolerances according to ISO 2768 m-H

**Interface**

According to  
Mechanically compatible with  
Mini-Coax according to

IEC 61169-35  
RPC-3.50 and SMA  
Rosenberger Mini-Coax

**Documents**

N/A

**Material and plating**

**Connector parts**

Center contact  
Outer contact  
Dielectric 1  
Dielectric 2

**Material**

CuBe  
Stainless steel  
PS  
PTFE

**Plating**

Gold, min. 1.27 µm, over chemical nickel  
Passivated

Dieses Dokument ist urheberrechtlich geschützt • This document is protected by copyright • Rosenberger Hochfrequenztechnik GmbH & Co. KG

RF\_35/05:10/6.0

RPC-2.92 Adaptor  
RPC-2.92 JACK –  
Mini-Coax 40 GHz JACK

**02K123-K00S3**

**Electrical data**

Impedance 50 Ω  
 Frequency DC to 40 GHz  
 Return loss ≥ 26 dB, DC to 18 GHz  
 ≥ 21 dB, 18 GHz to 26.5 GHz  
 ≥ 15 dB, 26.5 GHz to 40 GHz  
 Insertion loss ≤ 0.04 x √f(GHz) dB  
 Insulation resistance ≥ 5 GΩ  
 Center contact resistance RPC-2.92 ≤ 3.0 mΩ  
 Outer contact resistance RPC-2.92 ≤ 2.0 mΩ  
 Center contact resistance Mini-Coax ≤ 10.0 mΩ  
 Outer contact resistance Mini-Coax ≤ 3.0 mΩ  
 Test voltage 750 V rms  
 Working voltage 250 V rms  
 RF-leakage ≥ 80 dB @ DC to 1 GHz  
 ≥ 60 dB @ 1GHz to 4 GHz

**Mechanical data**

Mating cycles ≥ 500  
 Center contact captivation ≥ 20 N  
 Coupling test torque RPC-2.92 1.70 Nm  
 Recommended torque RPC-2.92 0.80 Nm to 1.10 Nm  
 Mini-Coax  
 Engagement and disengagement force 1 N to 4 N

**Environmental data**

Temperature range -40°C to +85°C  
 Thermal shock MIL-STD-202, Method 107, Condition B  
 Corrosion MIL-STD-202, Method 101, Condition B  
 Vibration MIL-STD-202, Method 204, Condition D  
 Shock MIL-STD-202, Method 213, Condition I  
 Moisture resistance MIL-STD-202, Method 106  
 RoHS compliant

**Tooling**

N/A

**Weight**

Weight 7.1 g/pce

While the information has been carefully compiled to the best of our knowledge, nothing is intended as representation or warranty on our part and no statement herein shall be construed as recommendation to infringe existing patents. In the effort to improve our products, we reserve the right to make changes judged to be necessary.

Dieses Dokument ist urheberrechtlich geschützt • This document is protected by copyright • Rosenberger Hochfrequenztechnik GmbH & Co. KG

RF\_35/05:10/6.0

Draft	Date	Approved	Date	Rev.	Engineering change number	Name	Date
O.Krautenbacher	07/03/13	Martin Moder	26/02/19	a00	19-s067	Manfred Ruf	26/02/19
Rosenberger Hochfrequenztechnik GmbH & Co. KG P.O.Box 1260 D-84526 Tittmoning Germany www.rosenberger.de					Tel. : +49 8684 18-0 Fax : +49 8684 18-499 Email : info@rosenberger.de		Page 2 / 2