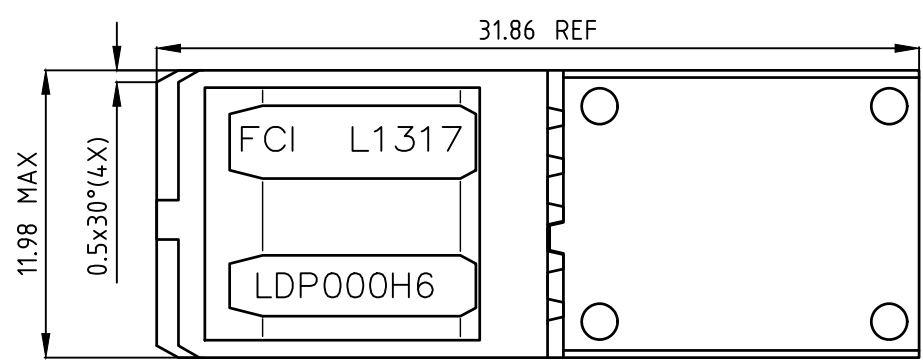
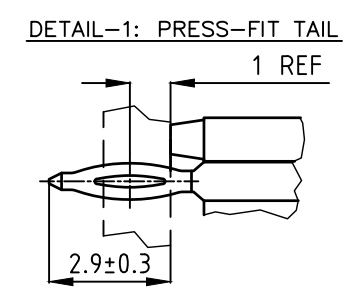
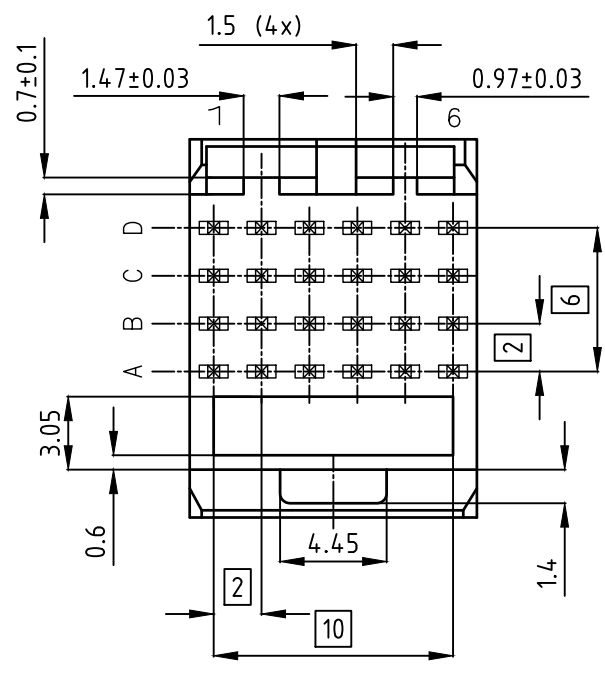
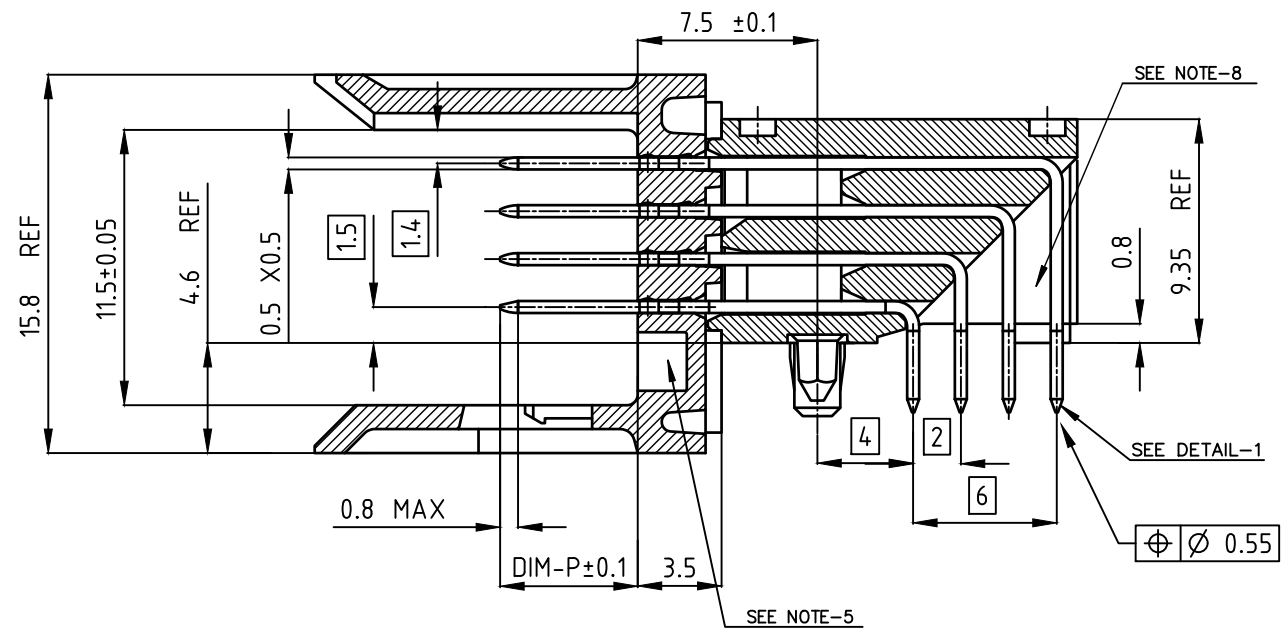
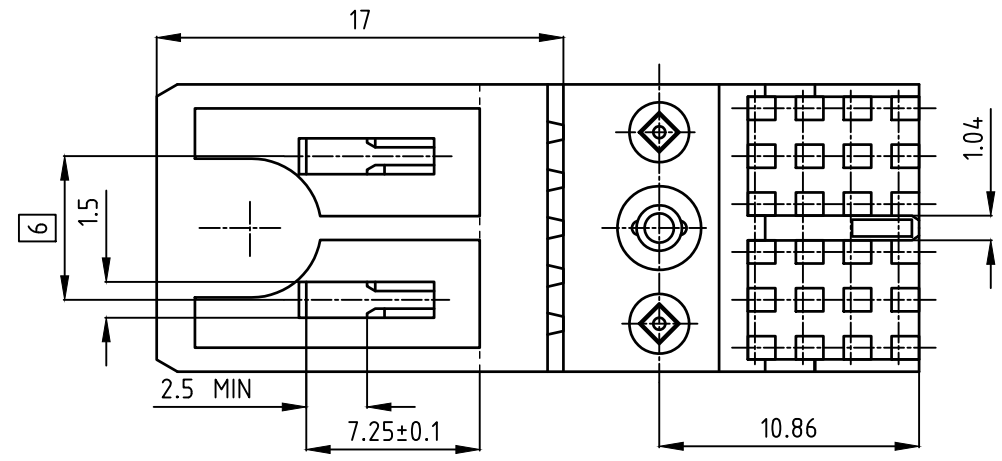


PART NUMBER : HM1L41XDP000HYPLF

REFER NOTE-2

NOTES:

1. MATERIAL : BODY : LCP UL94-V0
: CONTACT : COPPER ALLOY.
2. FOR PLATING PERFORMANCE REFER DRAWING # 10159409 ^M
3. NORMINATIVE REF = IEC-61076-4-104.
4. ONE CENTER PEG FOR HOLD DOWN FORCE.
5. CODING RECESS FOR 8MM EXTENDED KEYS.
6. THIS PRODUCT MEETS EUROPEAN UNION DIRECTIVES AND OTHER COUNTRY REGULATIONS AS DESCRIBED IN GS-47- 0004
7. THE HOUSING WILL WITHSTAND EXPOSURE TO 260DEGRE PEAK TEMPERATURE FOR 10 SECONDS IN A WAVE SOLDER APPLICATION
8. CENTRAL WALL WITH END REAR SUPPORT.
9. PACKAGING IN TRAY + COVER
IF SUFFIX "P" IS ADDED IN P/N PACKAGING IS IN TRAYS BUT CONNECTOR MARKING IS WITHOUT "P"
EXAMPLE: HM1xxxxxxxxxHXP , MARKED HM1xxxxxxxxxHX
10. A ^MSYMBOL WILL BE NEXT TO ANY DIMENSION, VIEW, OR NOTE WHICH HAS BEEN MODIFIED WITH THE CURRENT DRAWING REVISION.



GENERAL CHARACTERISTICS AND ROHS INFORMATIONS:
SEE PRODUCT SPECIFICATION GS-12-445

mat'l. code		NOTE 1		surface	5B	tolerance	projection	product family	
ltr		ecn no	dr	date	ISO 1302	ISO 406	ISO 1101	METRAL	
K	DG10-0231	CENH		2010-06-18	tolerances unless otherwise specified		MM	title	
L	DG-010291	QINDF		2012-02-14	angles	linear		METRAL RA HEADER WB	
M	ELX-I-38656	MINI		2020-10-13	0°±2°	0.X±0.3	scale	1:1	CONVERGED 4x6 CTS-PF-PUSH PEG
sheet index		revision sheet	M	M	dr	CHAMPION	1994-04-05	dwg no	sheet 1 of 2
			1	2	enrg	ARUN	2020-10-13	C-8626-0150	A2
					chr	ALEX BABU	2020-10-13	type	Product Customer Drawing
					appd	SANOJ	2020-10-13		

PART NUMBER

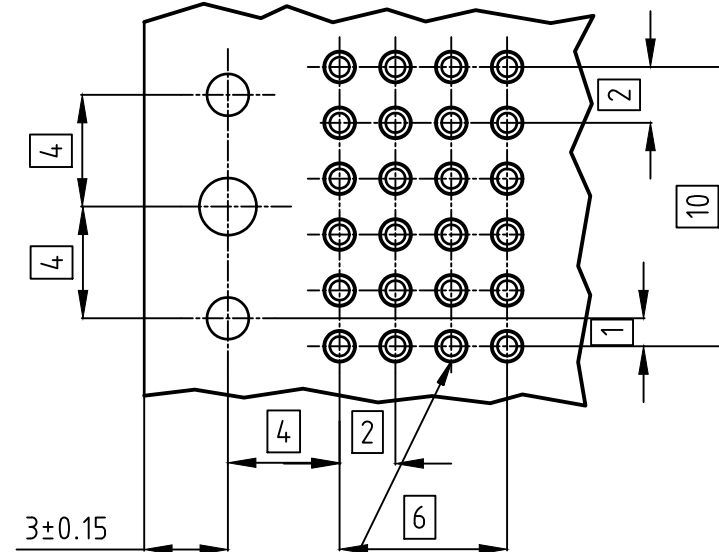
DIM-P ±0.10				P/N AND PERFORMANCE LEVEL		SP N°
ROW-A	ROW-B	ROW-C	ROW-D			
5.00	5.00	5.00	5.00	HM1L41ADP000H	PLF	
5.75	5.75	5.75	5.75	HM1L41LDP000H	PLF	
6.50	6.50	6.50	6.50	HM1L41DDP000H	PLF	
6.50	5.00	5.00	5.00	HM1L41BDP000H	PLF	
6.50	5.75	5.75	6.50	HM1L41CDP000H	PLF	
5.00	5.00	6.50	5.00	HM1L41ZDP110H	PLF	110
5.00	5.75	6.50	5.00	HM1L41ZDP430H	PLF	430
5.00	5.75	5.00	5.00	HM1L41ZDP448H	PLF	448
8.00	8.00	8.00	8.00	HM1L41NDP000H	PLF	
5.00	5.00	5.00	5.00	HM1L41ADP001H	PLF	
5.75	5.00	5.00	5.00	HM1L41ZDP009H	PLF	009
5.75	6.50	5.75	5.00	HM1L41ZDP424H	PLF	424
6.50	5.75	6.50	5.75	HM1L41ZDP037H	PLF	037
6.50	5.75	5.00	5.75	HM1L41ZDP102H	PLF	102
6.50	6.50	6.50	5.75	HM1L41ZDP135H	PLF	135
6.50	8.00	6.50	5.75	HM1L41ZDP329H	PLF	329
6.50	5.75	5.75	5.75	HM1L41ZDP369H	PLF	369

X REFER DRAWING # 10159409

STANDARD MATING LENGTHS = 5.75 (AND 5.00-6.50)

OTHERS INFORMATIONS,SEE DRW 8626-0150-1

RECOMMENDED PCB LAYOUT



Hole according to product spec GS-12-445 (for press-fit), GS-12-446 (for STB)

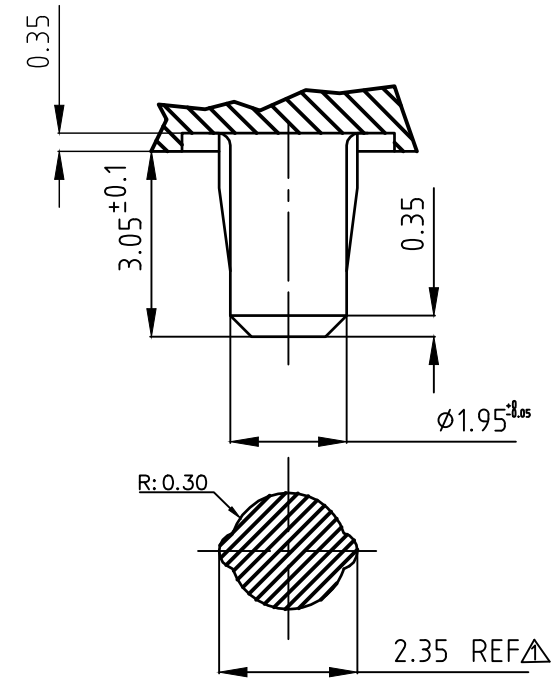
Row	CONTACT CODE MOD					
	1	2	3	4	5	6
D	-	-	-	-	-	-
C	-	-	-	-	-	-
B	-	-	-	-	-	-
A	-	-	-	-	-	-

HM1L41ADP001HXPLF

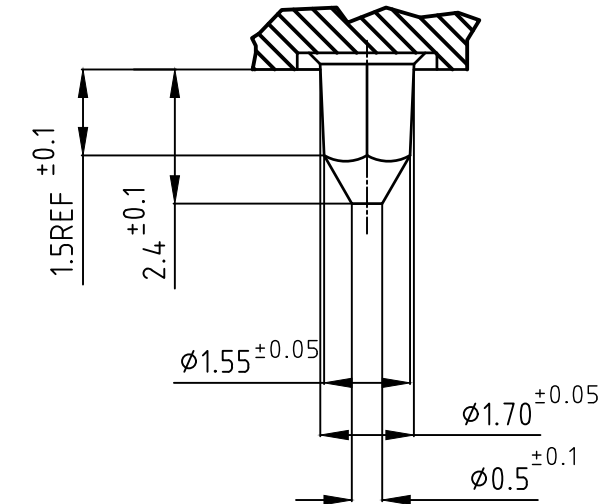
SELECTIVE CONTACT LOADING

NOTE: *-*POSITION LOADED

DETAILS OF CENTRAL PEG SCALE 8/1



DETAIL OF LOCATING PEGS (2x) SCALE 8/1



mat'l. code	NOTE 1	surface ISO 1302	tolerance ISO 406 ISO 1101	projection	product family	METRAL
ltr	ecn no	dr	date	angles	linear	tolerances unless otherwise specified
K	DG10-0231	CENH	2010-06-18	0°±2°	0.X±0.3	0.XX±0.13
L	DG-010291	QINDF	2012-02-14		0.XXX±0.050	
M	ELX-I-38656	MINI	2020-10-13			
dr	CHAMPION	1994-04-05				
enr	ARUN	2020-10-13				
chr	ALEX BABU	2020-10-13				
appd	SANOJ	2020-10-13				
sheet index	revision sheet	M	M			
		1	2			
title				METRAL RA HEADER WB		
CONVERGED 4x6 CTS-PF-PUSH PEG				scale 1:1		
dwg no				sheet 2 of 2		size
C-8626-0150				A2		
type				Product Customer Drawing		