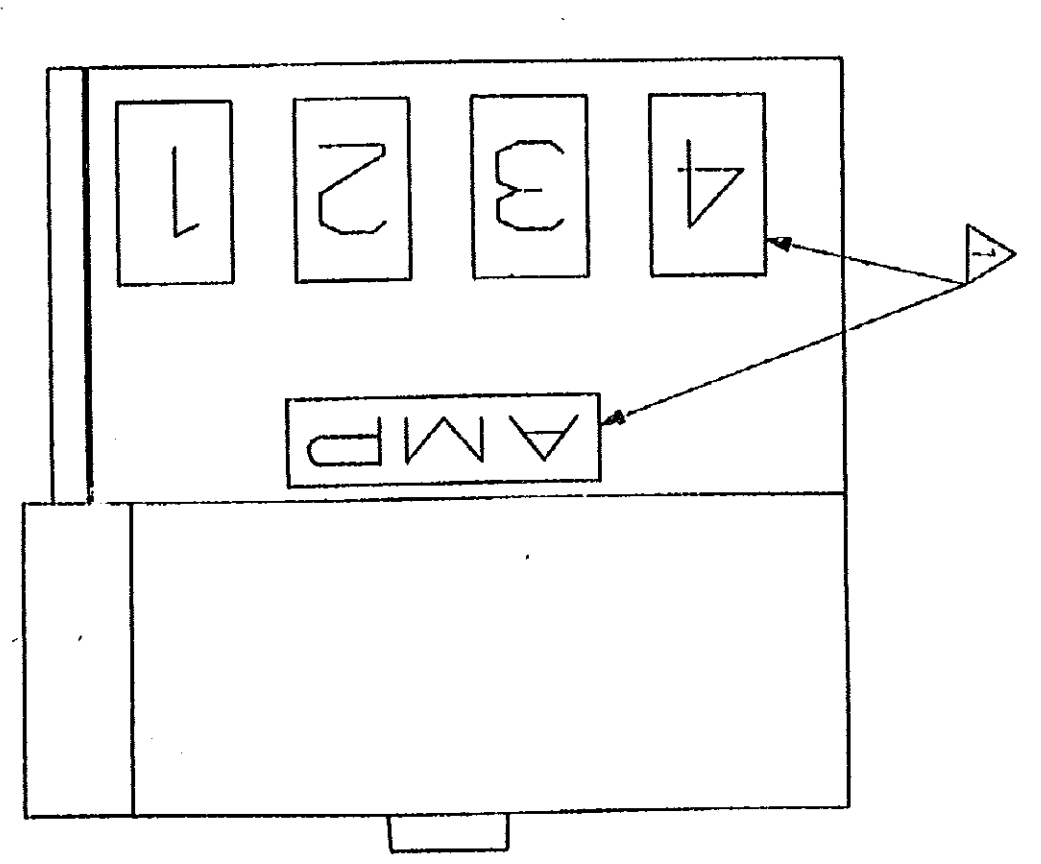
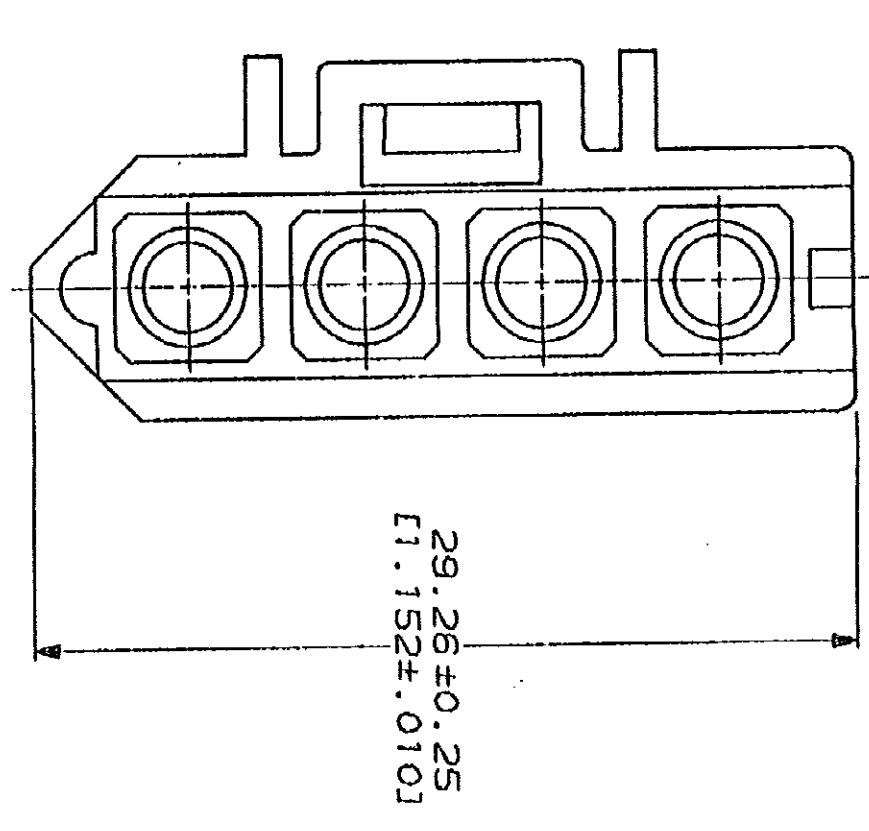
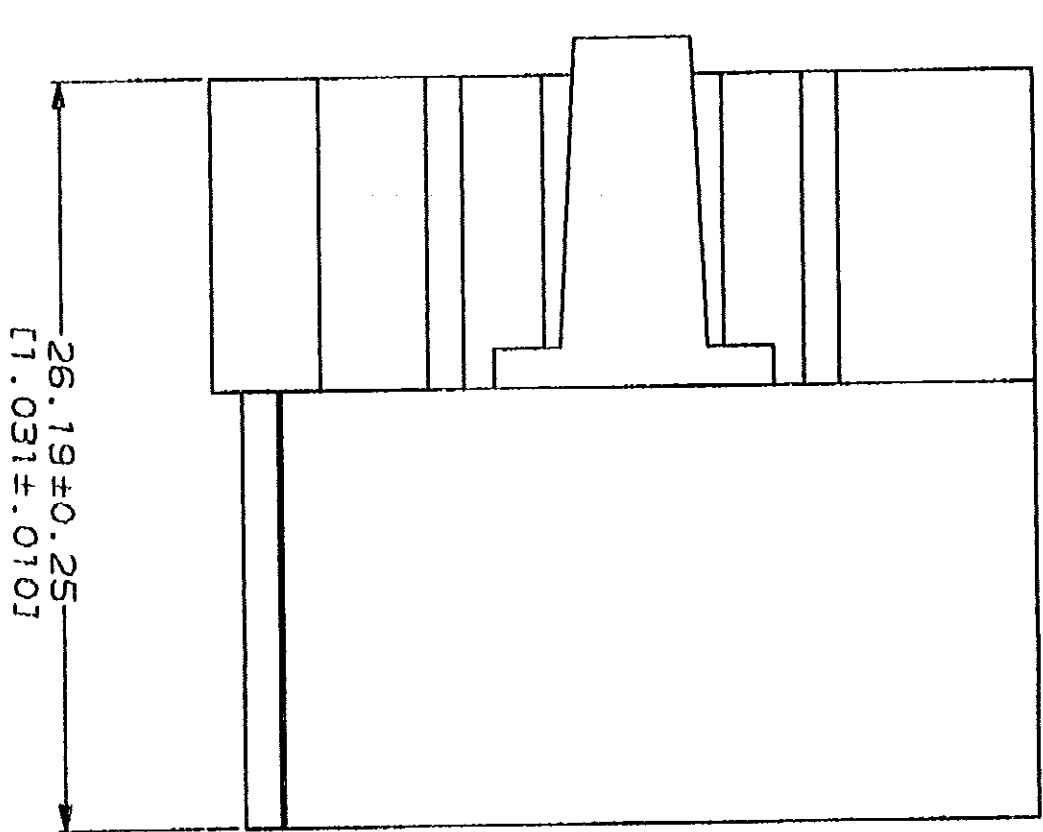
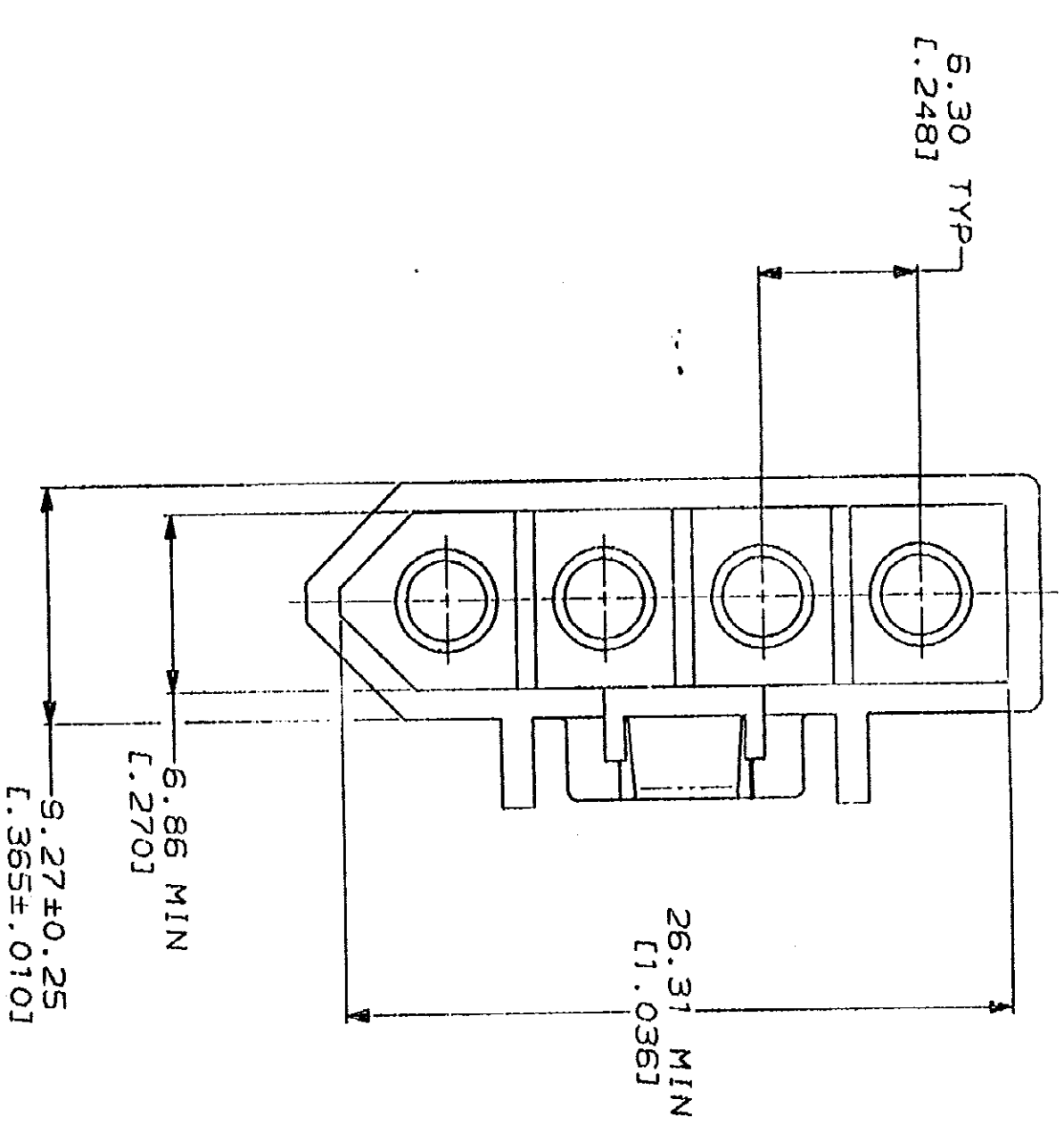
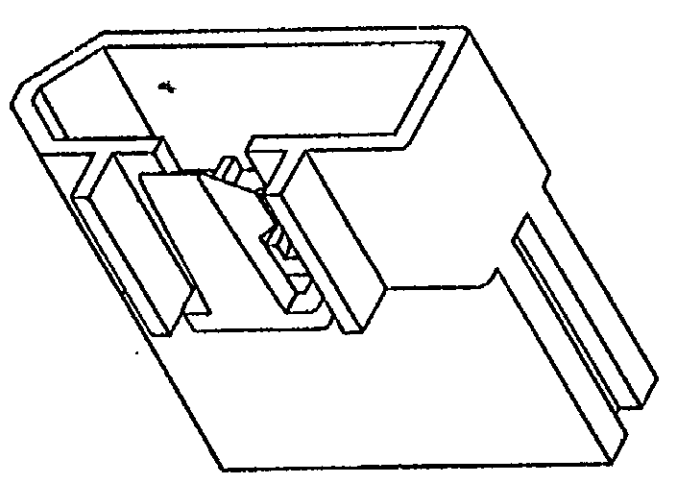


DRAWING MADE IN 180 ANGLE PROJECTION  
 THIS DRAWING IS UNRELEASABLE  
 UNLESS SPECIFICALLY AUTHORIZED BY AMP INCORPORATED  
 ALL INFORMATION RIGHTS RESERVED.

REV	DATE	BY	DESCRIPTION
1	12-3-90	CM	REVISED PER ECN CH 3387



△ AMP LOGO AND CIRCUIT NUMBERS LOCATED IN THIS AREA.  
 2. DIMENSIONS IN BRACKETS ARE IN INCHES.



3-DIMENSIONAL MODEL NTS

**METRIQ**

DO NOT SCALE PRINT. UNLESS SPECIFIED DIMENSIONS IN INCHES		DR K. WHITNER 12-3-90	AMP INCORPORATED MORTONBORO, PA 17105-3608
2 P.L.C DEC # 0.13 [1.005]	APPD R. SWINE 12-3-90	NAME	PLUG, POSITIVE LOCK, 4 CIRCUIT, COMMERCIAL PIN AND SOCKET
3 P.L.C DEC # 0.13 [1.005]	APPD G. CASI 12-3-90	SIZE	
MATERIAL	PRODUCT SPEC	SCALE	DRAWING NO
NYLON UL 94V-2	NATURAL	4:1	770810
FINISH	APPLICATION SPEC	SHEET	1 OF 1
	WEIGHT		

770810-1  
PART NO

CUSTOMER DRAWING