

EDGE CARDS

**PART NUMBER CODING**

MATERIALS (Insulator/Contact)

T = PBT  
(Consult Factory for Other Materials)

CONTACT MATERIAL

P = Phosphor Bronze  
R = Brass

CONTACT FINISH (All platings have .000050" Nickel underplate)

Contact Surface	Termination
W = .000005" Gold	.000100" Tin
Z = .000010" Gold	.000100" Tin
X = .000030" Gold	.000100" Tin

T P W B 60 DKHN - T578RC

MODIFICATIONS (CONSULT FACTORY)

-T578RC = PCI Style with Plastic Guide Post (32 Bit, 3.3 or 5 Volt)  
-T20RC = PCI Style with Metal Board Lock (32 Bit, 3.3 or 5 Volt)

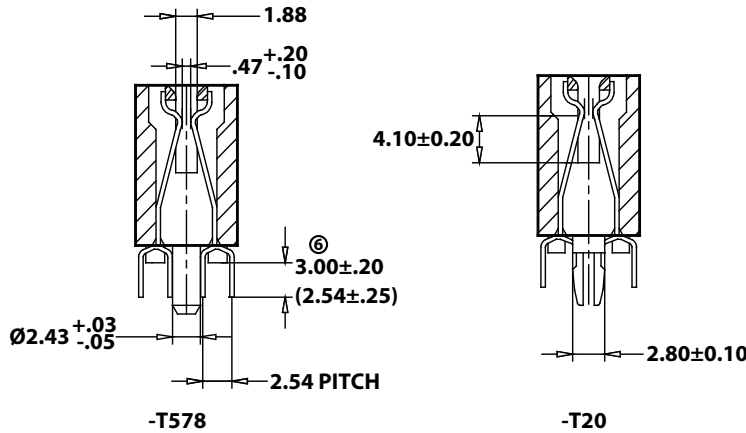
DKHN = Dual Row Cantilever Contacts,  
No Mounting Ears

NUMBER OF CONTACT POSITIONS  
60 (11/49) Positions

CONTACT CENTERS

B = .050" [1.27mm]

**MODIFICATIONS**

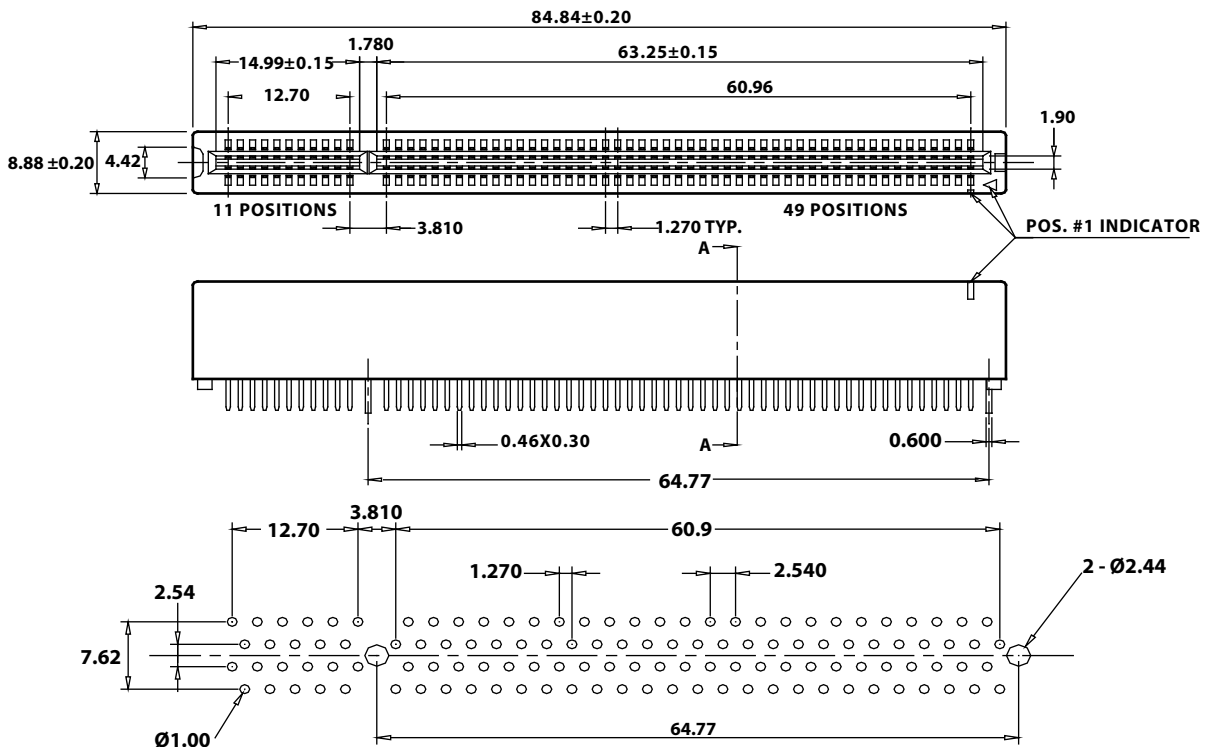


SECTION A-A

**FEATURES**

- \* Cantilever Contacts
- \* Accommodates .062 ± .008" PC board
- \* PPS, PCT or PBT insulator
- \* Molded-in key
- \* 3 amp current rating
- \* 150 grams normal force minimum
- \* Consult Factory for More Details

**DIMENSIONS** (All dimensions are in Millimeters)



RECOMMENDED PCB LAYOUT



**PART NUMBER CODING**

**MATERIALS (Insulator/Contact)**

T = PBT  
(Consult Factory for Other Materials)

**CONTACT MATERIAL**

P = Phosphor Bronze  
R = Brass

**CONTACT FINISH (All platings have .000050" Nickel underplate)**

Contact Surface	Termination
W = .000005" Gold	.000100" Tin
Z = .000010" Gold	.000100" Tin
X = .000030" Gold	.000100" Tin

T R W B 092 DKHN -T20RC

**MODIFICATIONS (CONSULT FACTORY)**

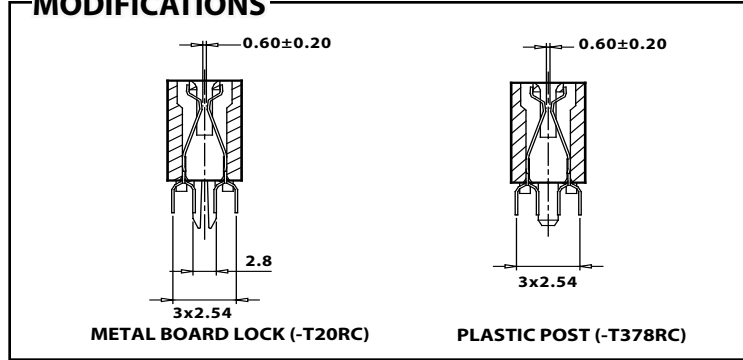
-T20RC = PCI Style With Metal Board Lock  
-T378RC = PCI Style With Plastic Guide Post

**DKHN** = Dual Row Cantilever Contacts,  
No Mounting Ears

**NUMBER OF CONTACT POSITIONS**  
92

**CONTACT CENTERS**  
B = .050" [1.27mm]

**MODIFICATIONS**



**FEATURES**

- \* Cantilever Contacts
- \* 64 Bit, 5.0V
- \* Accommodates .062 ± .008" PC board
- \* PPS or PBT insulator
- \* Molded-in key
- \* 3 amp current rating
- \* 150 grams normal force minimum
- \* Voltage rating: 250 VAC RMS
- \* Insulation resistance: 1,000 Mega ohms Min
- \* Temperature range: -55°C to +85°C

**DIMENSIONS (All Dimensions are in Millimeters)**

\* Consult Factory For More Details

