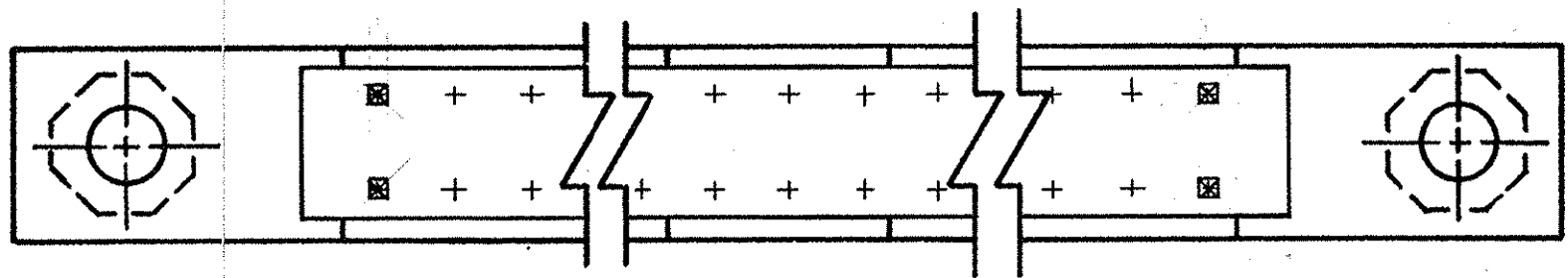
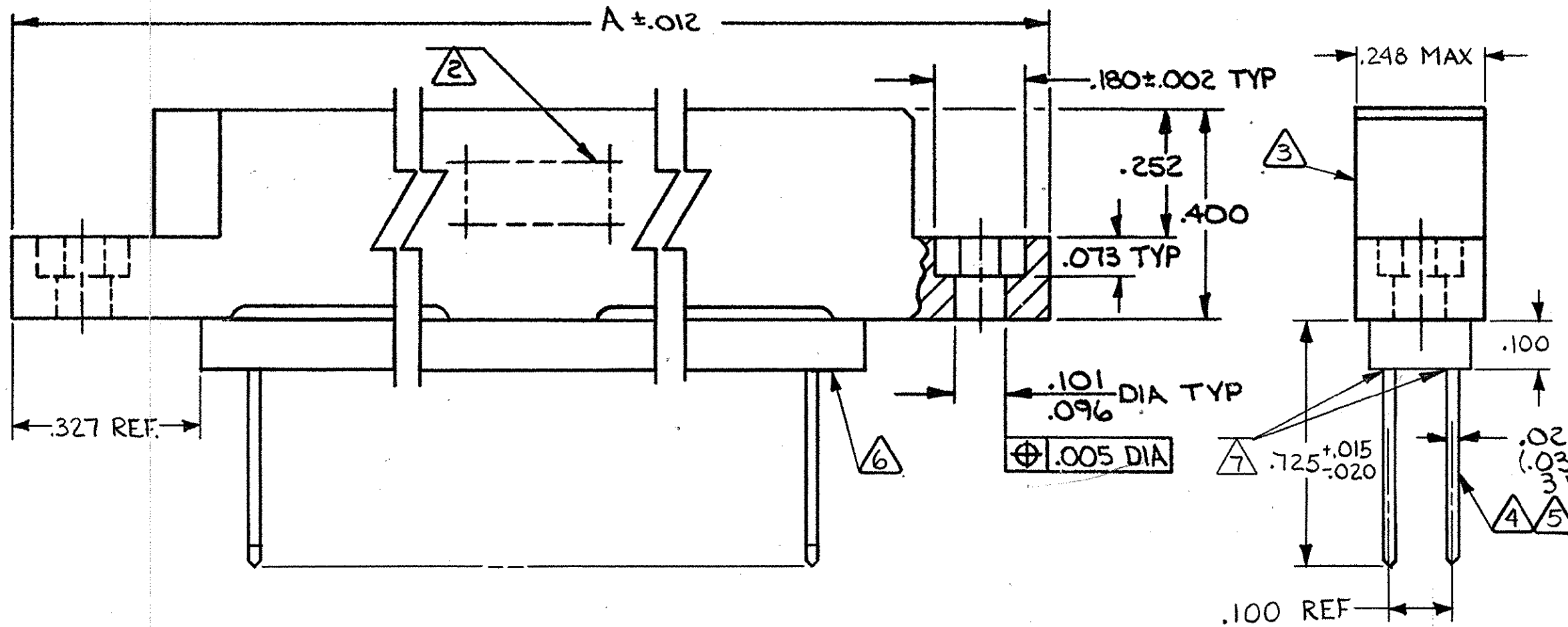
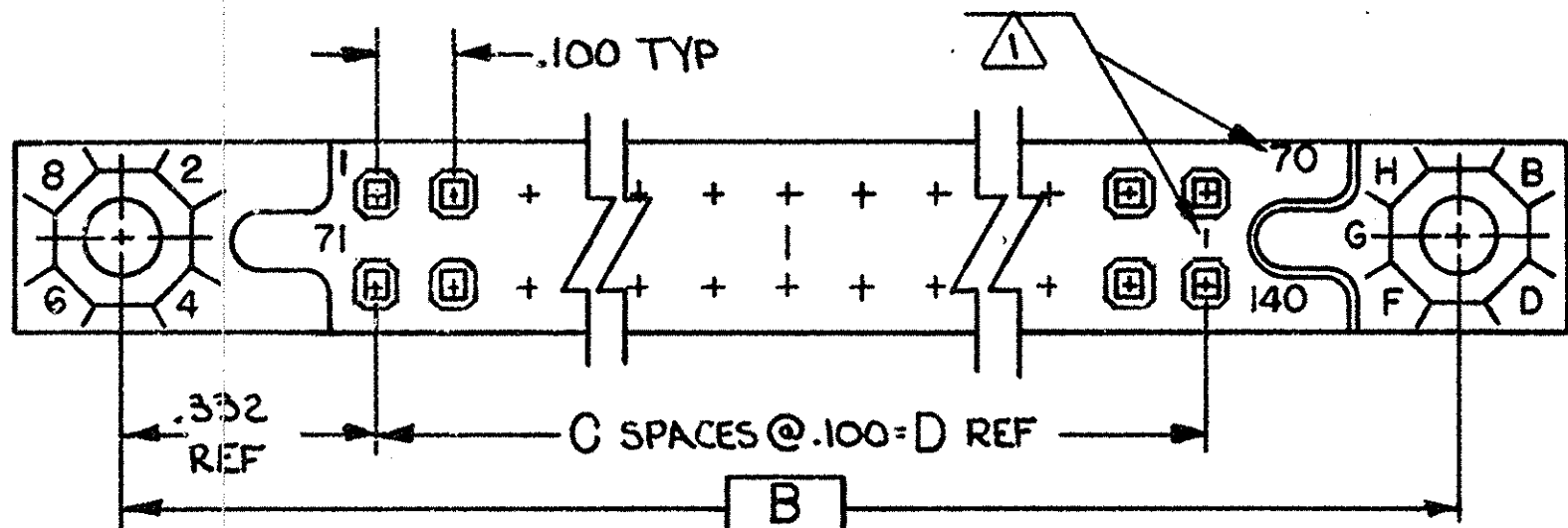


© COPYRIGHT 19 BY AMP INCORPORATED, HARRISBURG, PA. ALL INTERNATIONAL RIGHTS RESERVED. AMP INCORPORATED PRODUCTS COVERED BY U. S. AND FOREIGN PATENTS AND/OR PATENTS PENDING.

REVISIONS						
P	F	ZONE	LTR	DESCRIPTION	DATE	APPROVED
01	✓		O1	REVISED 6898	DEC 9-11-80	JAW
	✓		A	REV. PER ECN AB-0535	db 1-25-85	FAM
	✓		B	REV. PER DF-0457	5-11-88	SC gpb
	✓		C	REV PER DF-0089 & DF-0117	11-11-88	JAM
			D	REV PER 0600-5631-96	TT 8-98	JAM
			E	REV PER 0600-5859-96	TT 9-98	JAM
			F	REV PER 0600-6466-97	TT 10-98	JAM
			H	REV PER ECO-05-013283	11-05	PY
			J	REV PER OH14-0208-05	1-06	PY



- 1 CAVITY IDENTIFICATION (SEE CHART) & LINES INDICATING EVERY 5th CAVITY MOLDED OR MARKED.
- 2 AMP PART NO. & DATE CODE INK STAMPED (WHITE).
- 3 HOUSING MAT'L: DIALYL PHTHALATE
- 4 CONTACT MAT'L: BERYLLIUM COPPER OR COPPER-NICKEL-SILICONE
- 5 CONTACT FINISH: .000030 GOLD IN CONTACT AREA OVER .000030 NICKEL ALL OVER, TIN-LEAD PLATED POSTS.
- 6 POST STABILIZER: GLASS FILLED THERMOPLASTIC COLOR-BLACK
- 7 EPOXY ADDED TO AREA WHERE THE CONTACT POSTS EMERGE FROM THE STABILIZER TO INSURE POST TRUE POSITION.
- 8 CONTACT FINISH: .000030 GOLD IN CONTACT AREA OVER .000030 NICKEL ALL OVER TIN PLATED POSTS

CAVITY IDENTIFICATION	F	D	C	B	A	NO OF POS	PART NO		
1/51	50/100	4.975	4.900	49	5.565	5.855	100	5-531838-8	
1/41	40/80	3.975	3.900	39	4.565	4.855	80	5-531838-6	
1/26	25/50	2.475	2.400	24	3.065	3.355	50	5-531838-3	
5 OBSOLETE	1/71	70/140	6.975	6.900	69	7.565	7.855	140	1-531838-3
	1/68	67/134	6.675	6.600	66	7.265	7.555	134	1-2
	1/66	65/130	6.475	6.400	64	7.065	7.355	130	1-1
5 OBSOLETE	1/61	60/120	5.975	5.900	59	6.565	6.855	120	1-0
	1/56	55/110	5.475	5.400	54	6.065	6.355	110	-9
5 OBSOLETE	1/51	50/100	4.975	4.900	49	5.565	5.855	100	-8
	1/46	45/90	4.475	4.400	44	5.065	5.355	90	-7
	1/41	40/80	3.975	3.900	39	4.565	4.855	80	-6
5 OBSOLETE	1/36	35/70	3.475	3.400	34	4.065	4.355	70	-5
5 OBSOLETE	1/31	30/60	2.975	2.900	29	3.565	3.855	60	-4
	1/26	25/50	2.475	2.400	24	3.065	3.355	50	-3
5 OBSOLETE	1/21	20/40	1.975	1.900	19	2.565	2.855	40	-2
5 OBSOLETE	1/16	15/30	1.475	1.400	14	2.065	2.355	30	531838-1

UNLESS OTHERWISE SPECIFIED DIMENSIONS ARE IN INCHES. TOLERANCES ON: DECIMALS ±.005 ANGLES ±	CONTRACT NO		<b>AMP</b>   AMP INCORPORATED Harrisburg, Pa.	
	DR Debra Kelly 3-24-80			
	MATERIAL		NAME BOX RECEPTACLE ASSEMBLY, WRAP TYPE POSTS, 3 HIGH, .100" E RACK MOUNT	
	FINISH		SIZE CODE IDENT NO DRAWING NO <b>C</b> 00779 531838	
OTHER APPD		SCALE 4:1		
		SHEET		