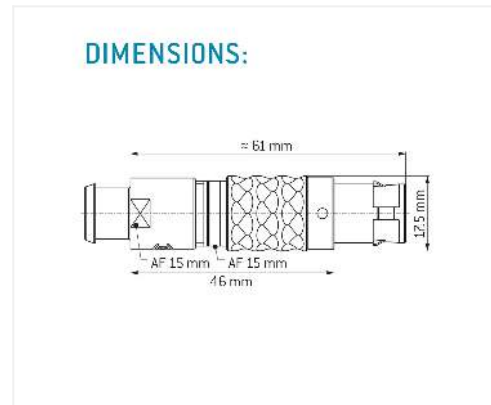
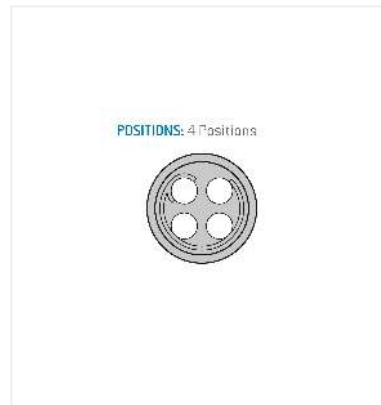


## General information

Part number	S23LOC-P04MT00-420S
Termination	solder
Size	3
Locking principle	push
Coding	0_key
Cable Diameter	cabl_mini_42
Cable outlet	bend_relief



## Contact insert description

Number of contacts	4
Contact type	pins
Contact diameter	20mm
Insulator material	peek
Wire cross section	14_awg
Termination	solder
Termination diameter	185mm

reverse\_gender\_on\_request

## Technical information

Max. creepage and air clearance distance	16_mm	14_mm
Nominal current single contact	18_a	iec_60512_5_2
Nominal current insert	18 A	vde_0298_4
Test voltage	165 kv_ac	sae_13441

safety\_text

## Mechanical and environmental data

Degree of protection*	ip50
Operating temperature	40_120_c
Mating cycles	5000

mated\_unmated

## Material and surface treatments

Housing	m_chrome
Contact	cu_alloy_gold

safety\_text\_2  
ul\_text  
illustrative\_text