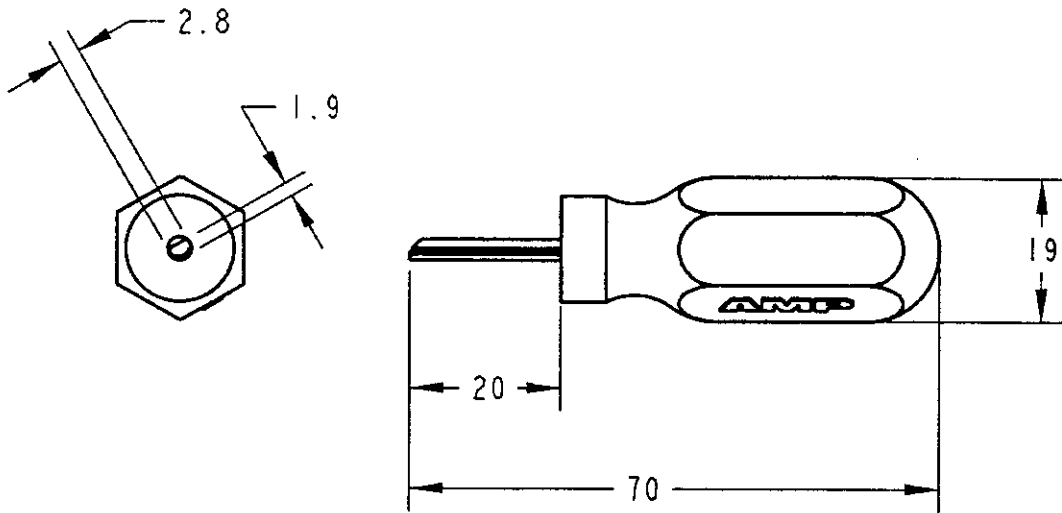


LOC	DIST	REVISIONS						
		P	LTR	DESCRIPTION	ECN	DATE	DWN	APVD
J	-		0	RELEASED	FJ00-0704-97	14MAY97	J.K	H.T



- APPLICABLE PRODUCTS

TERMINAL (STRIP): 171630-□ / 171662-□ EJ-II, EJ-II<sup>+</sup> REC

HOUSING PLUG: 174352-□ EJ-II, EJ-II<sup>+</sup>
- INSTRUCTION SHEET NO: 411-5821

RELEASED FOR PUBLICATION  
1997.11.11

RELEASED FOR PUBLICATION  
1997.11.11

THIS DRAWING IS UNPUBLISHED.

© COPYRIGHT 1997.11.11 BY AMP INCORPORATED. ALL RIGHTS RESERVED.

DIMENSIONS: 単位: 英 mm		DWN J.K 14-May-97	WIRE RANGE 適合電線断面積 -	INSULATION DIA 被覆外径 -
TOLERANCES UNLESS OTHERWISE SPECIFIED: 公差 10 : ±0.2 30 > : ±0.25 100 > : ±0.3 ANGLE : 1/2°		CHK J.KOGA 14 MAY 97	MATERIAL 材料 -	FINISH 仕上 -
<del>           PRODUCT SPEC            製品仕様            APPLICATION SPEC            取付適用規格            WEIGHT            -         </del>		APVD H.TANAKA 14 MAY 97	<b>AMP</b> 日本アイ・エム・ピー株式会社 Kawasaki, Japan	
		NAME 名称 EXT-TOOL FOR 070 EJ-II CONN		
CUSTOMER DRAWING		SIZE A4	CAGE CODE 00779	DRAWING NO 番号 C-937313-1
		RESTRICTED TO -	SCALE 尺度 1:1	SHEET 1 OF 1 REV 0