



ISL Products International

Electronic Ballast for UV Bulbs
24VAC - "RS" Rapid Start
P.S-I-81243-A

This electronic ballast is designed to operate ultraviolet quartz germicidal lamps at 24VAC, a common industry voltage. It's equipped with push style terminals for seamless installation and has Intertek approvals to UL 935 standards.

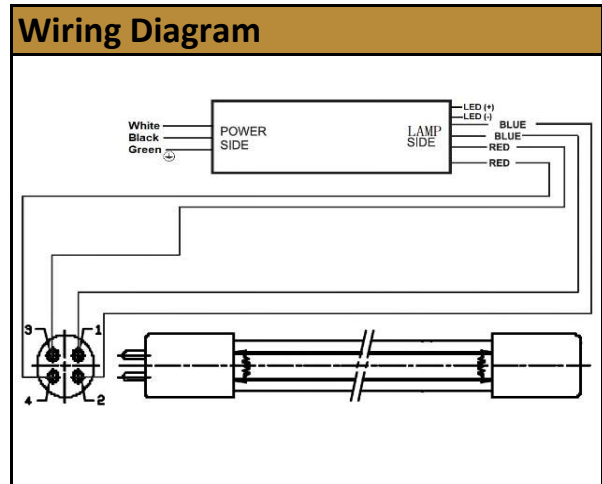
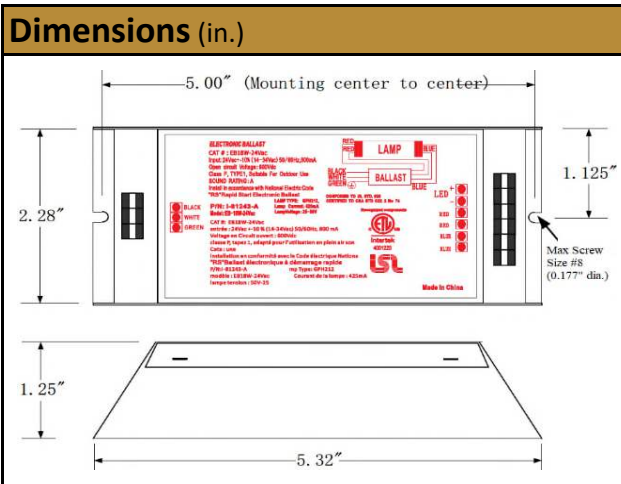


Contact Us for alternative solutions!

Electrical Specifications			
Lamp Type:	GPH212T5		
Input Voltage:	24VAC		
Lamps Operated:	1		
Input Power (W):	14.28		
Line Current (A):	0.738		
Power Factor:	0.086		
THD:	38		
Lamp Voltage (V):	25		
Ballast Type:	Rapid Start (RS)	Lamp Current:	420mA (+/- 10%)
Current Crest Factor:	< 1.7	Voltage Transients:	ANSI 62.41

Environmental Specifications			
Sound Rating:	Class A	Min. Operating Temp:	0°C / 32°F
Weight	12.9 oz	Max. Case Temp:	70°C / 158°F

Protections			
Input Protection:	Fuse	Approvals:	UL.935 / CSA.C22.2
Output Protection	EOL		Class "P"/1 Outdoor



© 2020 ISL Products International Ltd. Specifications subject to change without notice.

