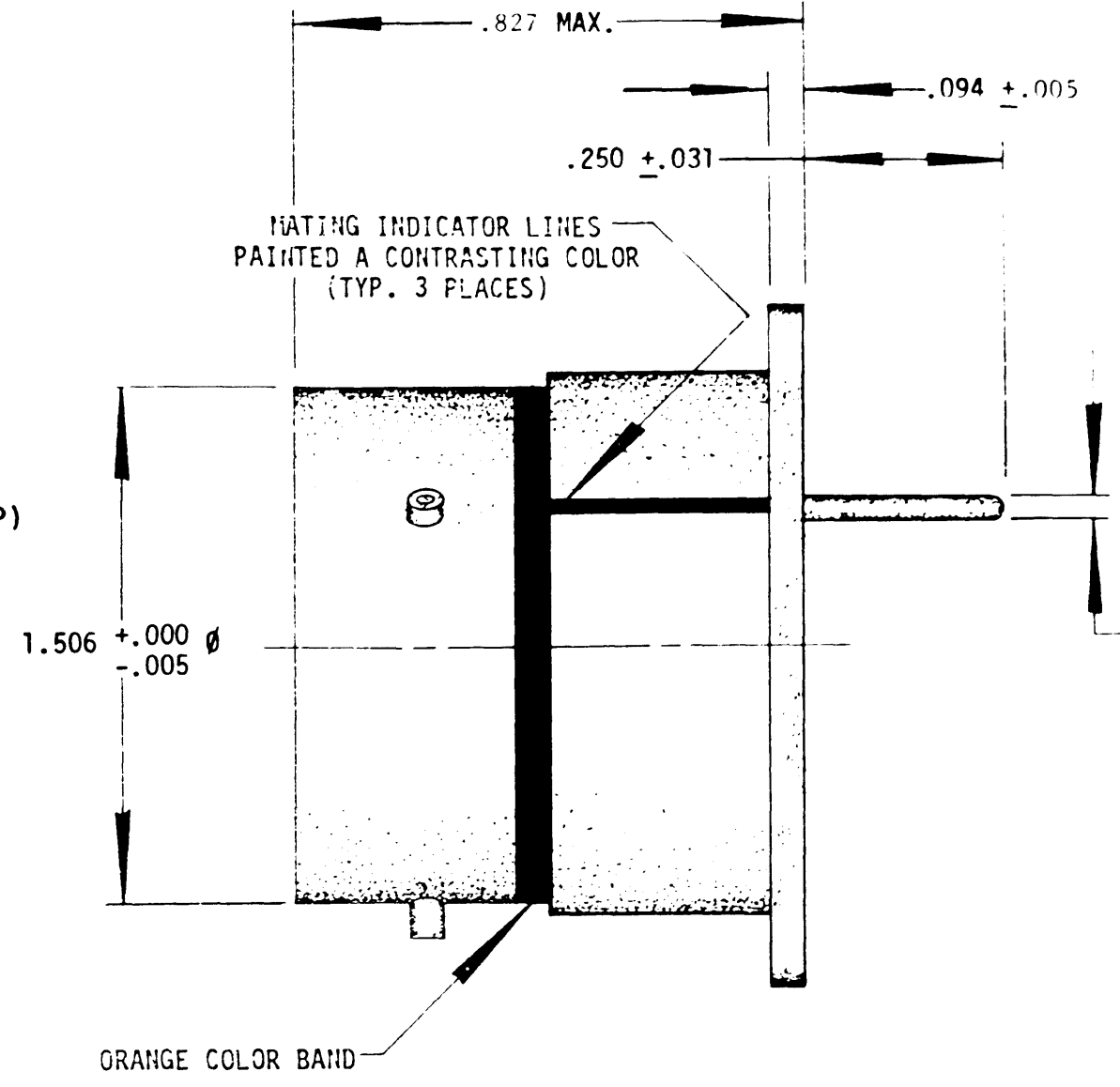
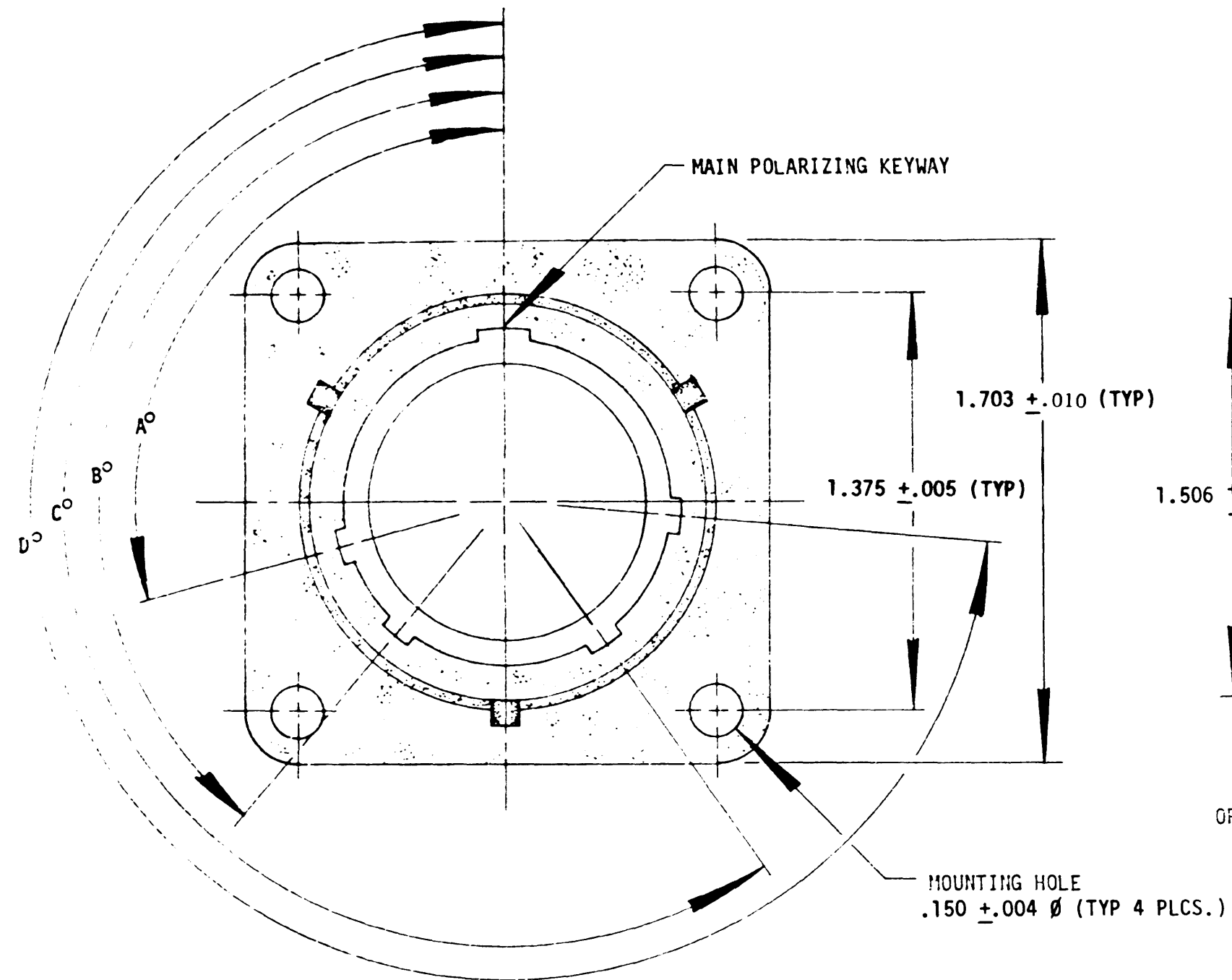
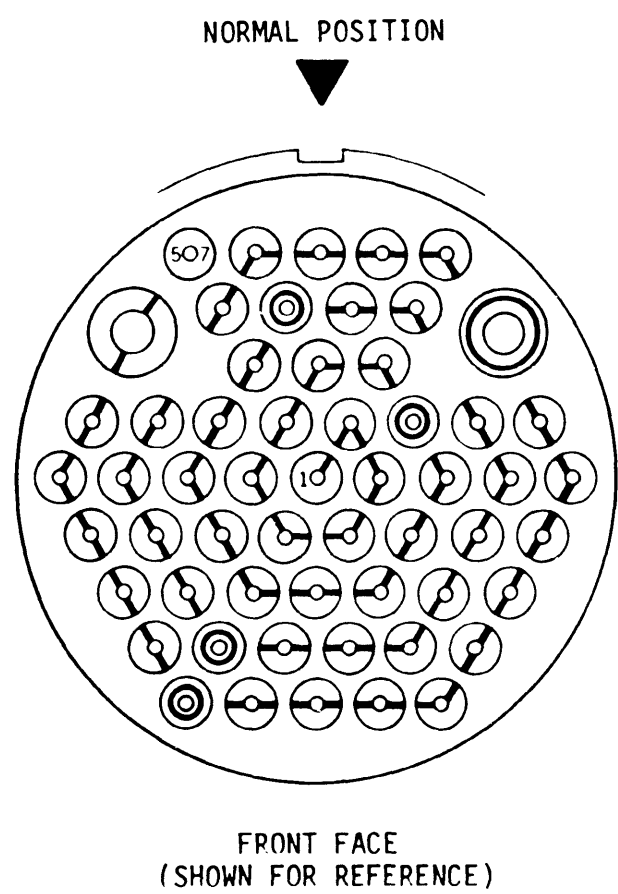


REVISIONS			
SYM	DESCRIPTION	DATE	APPROVED
N/C	NEW RELEASE PER E.O. A3005	12-21-84	<i>L. Stoll</i>
A	REVISED PER E.O. A5374	8-2-86	<i>AC 08/11/86</i>



SIZE 20 CONTACT: $\begin{matrix} +.006 \\ -.002 \end{matrix}$
 SIZE 12 CONTACT: $\begin{matrix} .019 \\ .045 \end{matrix} \begin{matrix} +.006 \\ +.006 \end{matrix} \begin{matrix} \emptyset \\ \emptyset \end{matrix}$
 $\begin{matrix} -.002 \\ -.002 \end{matrix}$

REV	A	94400-24-57P*
-----	---	---------------



KEY/KEYWAY LOCATIONS													
KEYING POSITION	SHELL SIZE 24				SHELL SIZE 24				SHELL SIZE 24				
	A°	B°	C°	D°	A°	B°	C°	D°	A°	B°	C°	D°	
N										105	140	215	265
6										18	149	192	259

- NOTE:**
- ALL DIMENSIONS ARE INCHES UNLESS OTHERWISE SPECIFIED.
 - GENERAL SPECIFICATION: THIS CONNECTOR MEETS THE PERFORMANCE AND INTERMATEABILITY REQUIREMENTS OF MIL-C-83723, SERIES III.
 - MATERIAL/FINISH: SHELL: ALUMINUM ALLOY, NICKEL PLATED
 CONTACTS: COPPER ALLOY, GOLD PLATED WITH EXTENDED PIN SOLDER DIPPED.
 INSERTS: SILICONE ELASTOMER AND RIGID DIELECTRIC PLASTIC

SIGNATURE & DATE	
DR	<i>L. Stoll</i> 12/21/84
CHK	<i>L. Stoll</i> 1/11/85
PE	<i>L. Stoll</i> 1/11/84
APPC	
SCALE	NONE WT

RECEPTACLE CONNECTOR
 BLACK BOX
 SQUARE FLANGE MOUNTING
 BAYONET COUPLING CONNECTOR
 MIL-C-83723 SERIES III TYPE
 FRONT INSERTABLE & REMOVABLE CONTACTS
 SPECIAL FOR GENERAL DYNAMICS
 WITH THICK FLANGE
 ENVELOPE

CP	MATL CODE
The Deutsch Company ELECTRONIC COMPONENTS DIVISION Munich, Germany	
C	94400-24-57P*
DWG SIZE	CODE 11039
SHEET 1 OF 1	