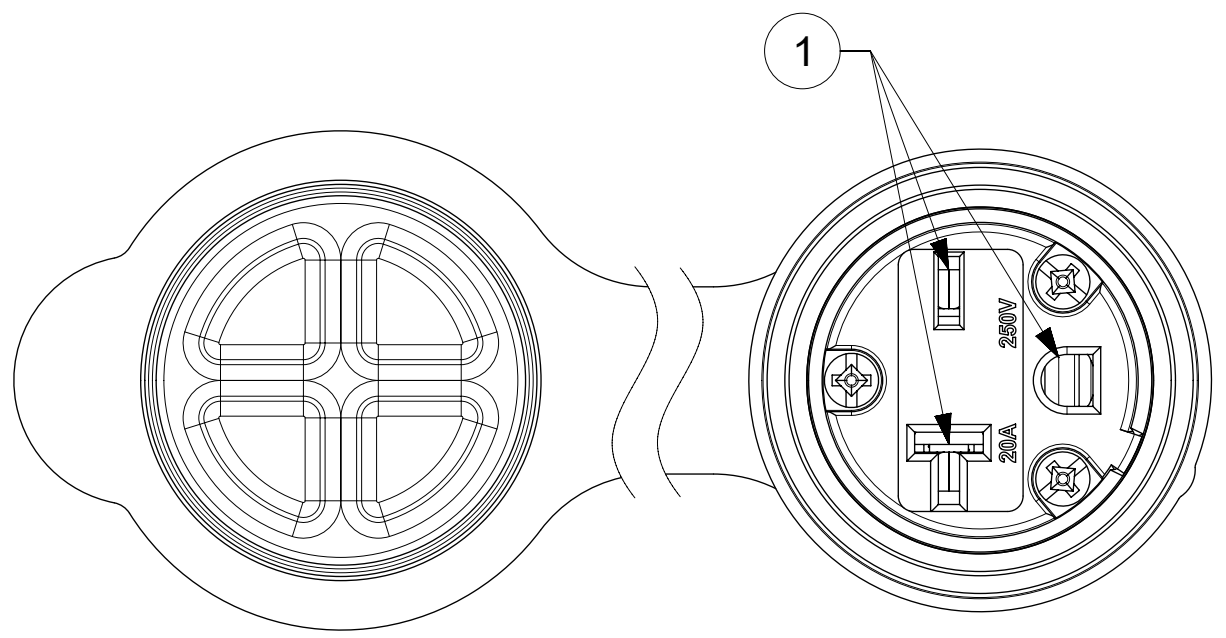
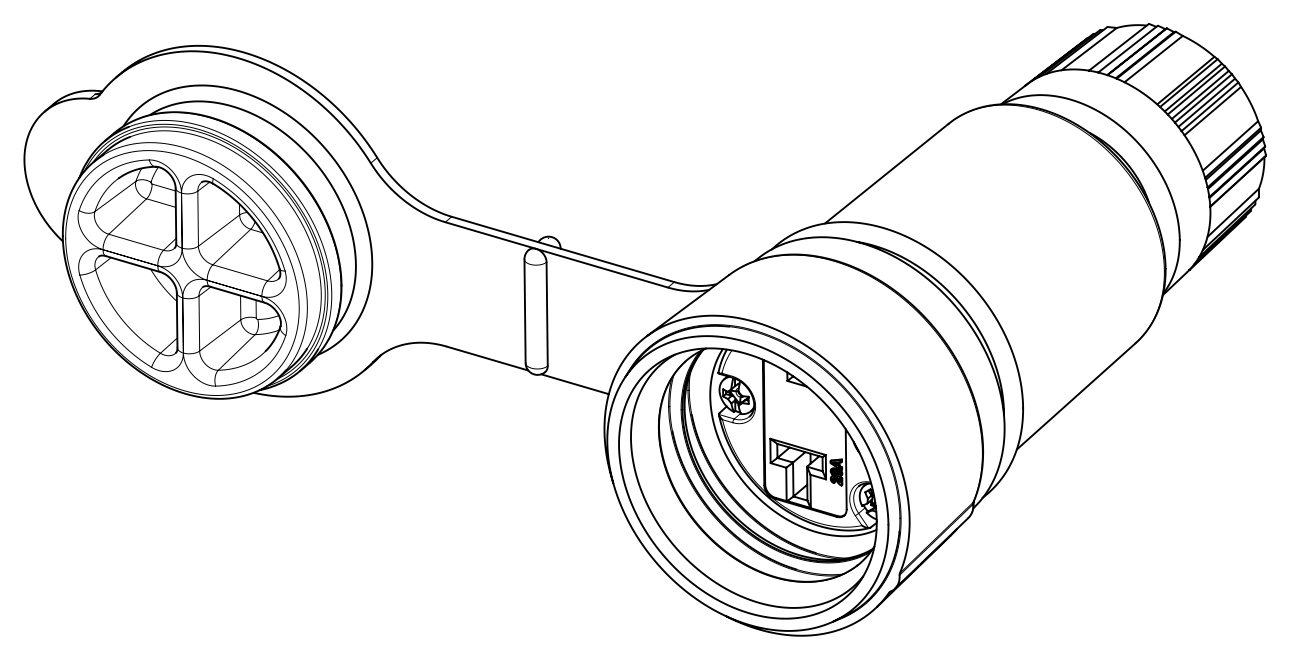
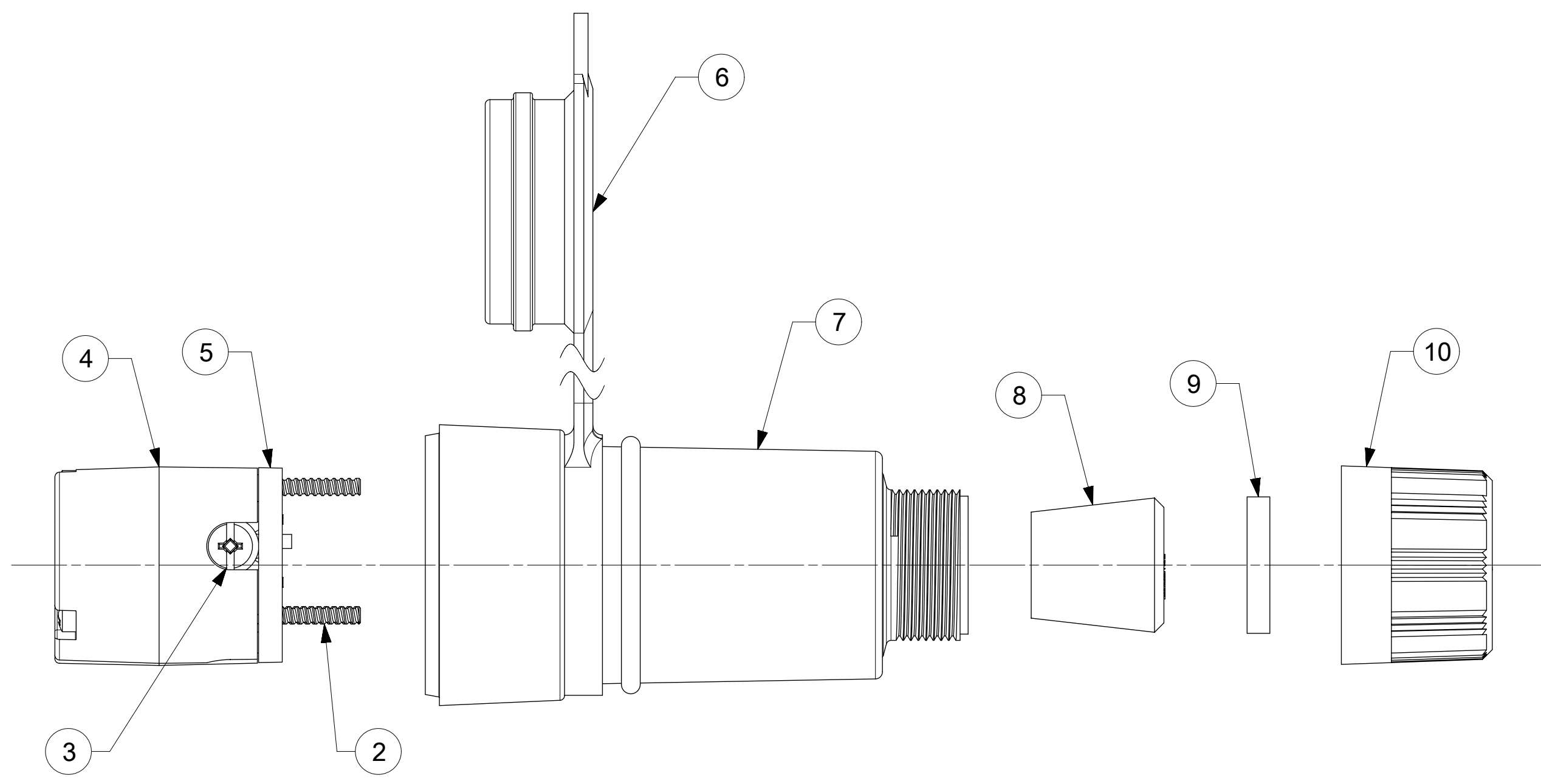
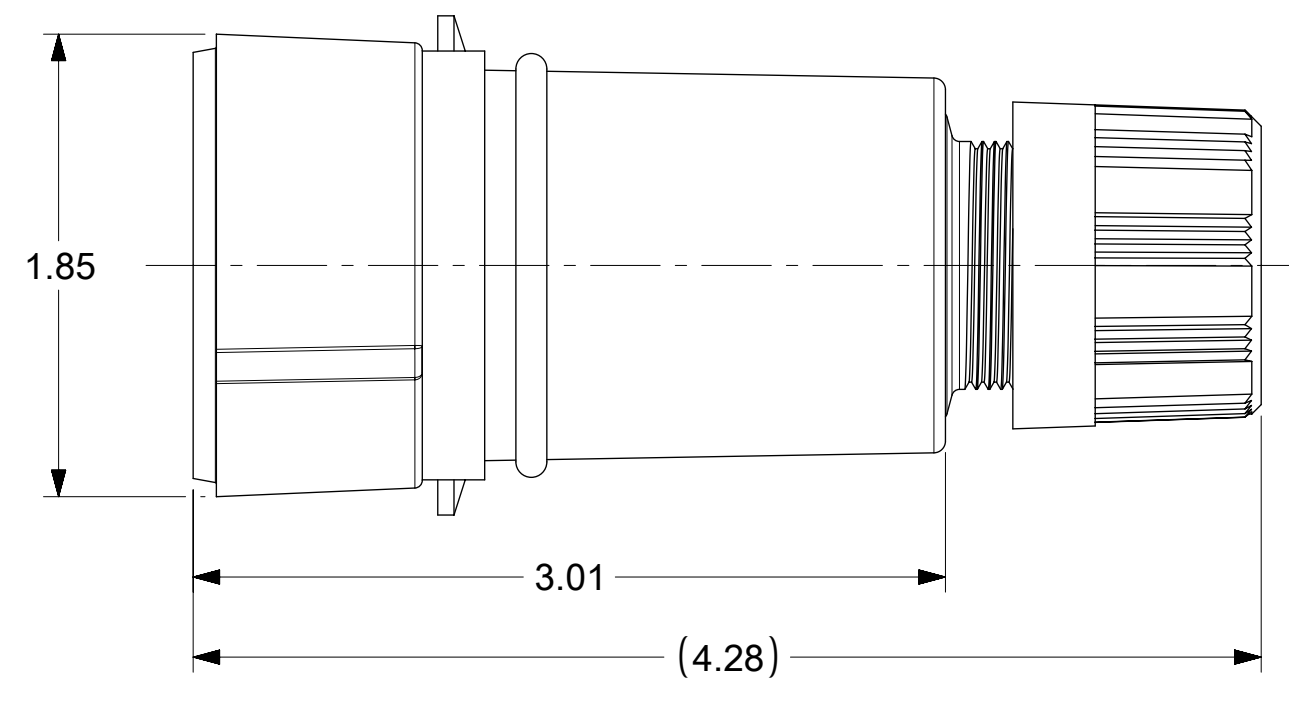


ORDER NO.	WOODHEAD NO.	COLOR
130146-0200	15W48-P	YELLOW
130146-0201	15W48BLK-P	BLACK



**FACE VIEW**



ITEM NO.	DESCRIPTIONS	MATERIAL	QTY.
1	BLADES	BRASS	3
2	RETAINING SCREWS	STAINLESS STEEL	3
3	TERMINAL SCREWS	BRASS, ZINC PLATED	3
4	INSERT	NYLON	1
5	TERMINAL COVER	POLYCARBONATE	1
6	FLIP COVER	SILICON	1
7	HOUSING	RUBBER WITH NYLON THREAD	1
8	GROMMETS	RUBBER	5
9	FRICTION RING	NYLON	1
10	COMPRESSION NUT	NYLON	1

**NOTES:**  
 1. SEE INSTRUCTION SHEET NUMBER 1301414770 FOR PRODUCT SPECIFICATION.  
 2. CABLE RANGE FROM 0.375" TO 0.625"  
 PRE-RELEASE  
 RELEASE  
 USE ONLY

SYMBOLS ▽ = 0 ▽ = 0 ▽ = 0 ▽ = 0 ▽ = 0 ▽ = 0 ▽ = 0 ▽ = 0 ▽ = 0 ▽ = 0 ▽ = 0 ▽ = 0		THIS DRAWING CONTAINS INFORMATION THAT IS PROPRIETARY TO MOLEX ELECTRONIC TECHNOLOGIES, LLC AND SHOULD NOT BE USED WITHOUT WRITTEN PERMISSION. DIMENSION UNITS: INCH SCALE: NTS GENERAL TOLERANCES (UNLESS SPECIFIED): ANGULAR TOL: ± 0.5° 4 PLACES: ± 3 PLACES: ± 0.005 2 PLACES: ± 0.01 1 PLACE: ± 0.02 0 PLACES: ± DRAFT WHERE APPLICABLE MUST REMAIN WITHIN DIMENSIONS	CURRENT REV DESC: RELEASED EC NO: 613683 DRWN: ABABU01 2018/11/13 CHK'D: DNGUYEN62 2019/03/15 APPR: INITIAL REVISION: DRWN: ABABU01 2018/11/13 APPR:	
DOCUMENT STATUS: RV RELEASE DATE:		PRODUCT CUSTOMER DRAWING DOCUMENT NUMBER: 1301460200 DOC TYPE: PSD DOC PART: 000 REVISION: 1		MATERIAL NUMBER: SEE TABLE CUSTOMER: GENERAL MARKET SHEET NUMBER: 1 OF 1