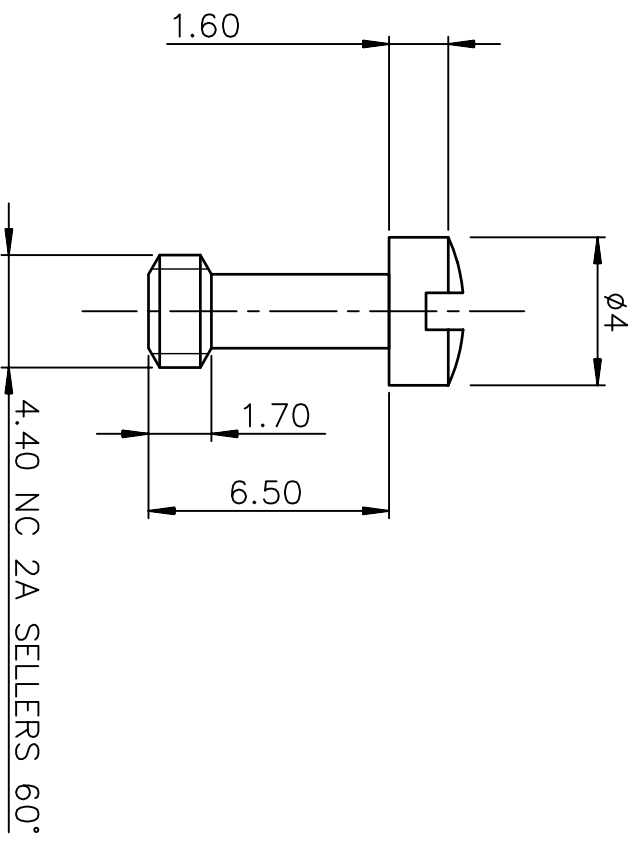
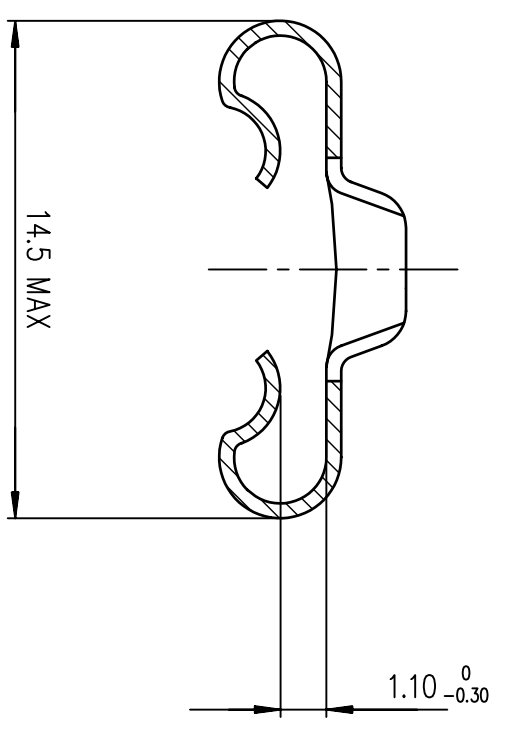
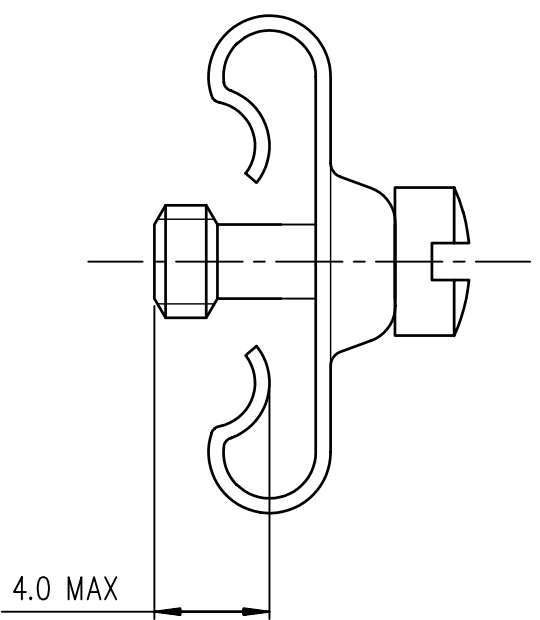


NOTES
 Pieces assembly
 Packaging : per 100 piece
 Material : steel
 Plating : yellow chromate cadmium
 Thread : UNC 4.40



ASSEMBLY VIEW



Part Number
 863005A

European Views

rev	ecn no	dr	date
A	-	SJO	1998/03/27
B	LS06-0101	MPE	2006/06/27
C	LS06-0001	MPE	2007/01/02
D	LS09-0006	PCR	2009/01/08
E	I11-0022	AMR	2011/01/25
F	ELX-H-01683	PK	2012/05/09
G	ELX-H-01686	PK	2012/05/21

www.fciconnect.com		surface	ISO 1302	tolerance std	ISO 406 ISO 1101	projection	mm
Dr	JOUBERT	1998/03/27	ANGULAR	±0.1	±0.1	A3	Scale
Eng	M.PESSON	1998/03/27	LINEAR	0.X	±0.1		5
Chr	ABHILASH	2011/01/25	0.XX	0.XXX	±0.1	ECN	ELX-H-011686
Appr	SUDHIR	2011/01/25	Product family	D-SUB	Spec ref	-	

MALE SCREW FOR HOUSINGS
 catalog no 9 TO 25 PTS (P ET S)
 Rev. G