



SMA Female Connector Clamp Attachment Vertical Launch PCB, Removable Stripline Launch

RF Connectors Technical Data Sheet

PE45458

Configuration

- SMA Female Connector
- 50 Ohms
- Straight Body Geometry
- Vertical Launch Interface Type
- Clamp Attachment

Features

- Max. Operating Frequency 26.5 GHz
- Good VSWR of 1.3:1
- Gold Plated Beryllium Copper Contact
- Reusable vertical launch installation

Applications

- General Purpose Test
- PCB Applications
- Signal Integrity Measurement
- Chip Evaluations
- SERDES
- Vertical Launch Test Fixtures

Description

Pasternack's PE45458 SMA female connector with clamp attachment for vertical launch PCB is part of our full line of RF components available for same-day shipping. Our SMA female connector operates up to a maximum frequency of 26.5 GHz and offers good VSWR of 1.3:1.

Our SMA female connector PE45458 datasheet specifications and drawing with dimensions are shown below in this PDF. Pasternack's broad catalog of RF, microwave and millimeter wave connectors allows designers to configure and customize their signal connections however they like. Whether the need is to provide an I/O for a board design, or simply create a custom cable assembly configuration, Pasternack has the right connector for the job. Pasternack can also expertly build your custom cable assemblies for you and ship same-day.

Electrical Specifications

Description	Minimum	Typical	Maximum	Units
Frequency Range	DC		26.5	GHz
VSWR			1.3:1	

Electrical Specification Notes:

Actual VSWR performance is largely dependent on circuit board design. For optimal results, the connector and circuit launch geometry should be modeled using Electromagnetic Simulation tools.

Mechanical Specifications

Size	
Length	0.441 in [11.2 mm]
Width/Dia.	0.222 in [5.64 mm]
Height	0.39 in [9.91 mm]
Mating Cycles	500 Cycles

Click the following link (or enter part number in "SEARCH" on website) to obtain additional part information including price, inventory and certifications: [SMA Female Connector Clamp Attachment Vertical Launch PCB, Removable Stripline Launch PE45458](#)



SMA Female Connector Clamp Attachment Vertical
Launch PCB, Removable Stripline Launch

RF Connectors
Technical Data Sheet

PE45458

Material Specifications

Description	Material	Plating
Contact	Beryllium Copper	Gold
Insulation	PTFE	
Outer Conductor	Passivated Stainless Steel	
Body	Passivated Stainless Steel	

Mechanical Specification Notes:
Launch Pin is Gold Plated Beryllium Copper

Environmental Specifications

Compliance Certifications (see [product page](#) for current document)

Plotted and Other Data

Notes:

Click the following link (or enter part number in "SEARCH" on website) to obtain additional part information including price, inventory and certifications: [SMA Female Connector Clamp Attachment Vertical Launch PCB, Removable Stripline Launch PE45458](#)



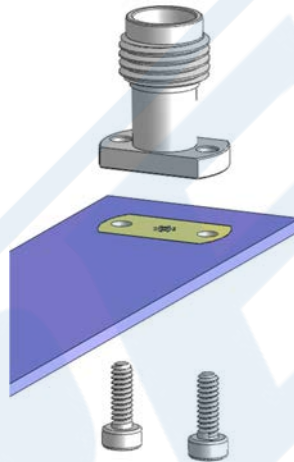
SMA Female Connector Clamp Attachment Vertical Launch PCB, Removable Stripline Launch

RF Connectors Technical Data Sheet

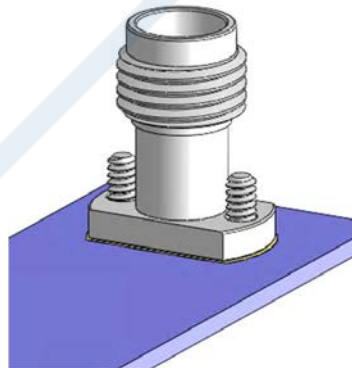
PE45458

Assembly Instruction

- STEP 1 :**
Position vertical launch above substrate.



- STEP 2:**
Insert screws and tighten connector body against the substrate, while ensuring center pin is centered on the trace or landing pad.



Click the following link (or enter part number in "SEARCH" on website) to obtain additional part information including price, inventory and certifications: [SMA Female Connector Clamp Attachment Vertical Launch PCB, Removable Stripline Launch PE45458](#)

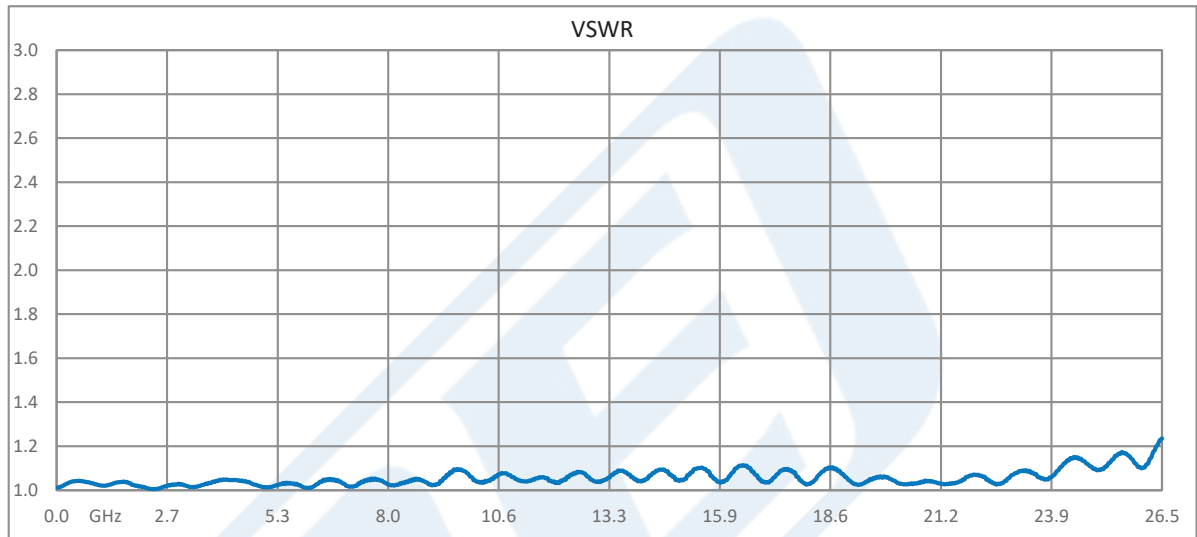


SMA Female Connector Clamp Attachment Vertical Launch PCB, Removable Stripline Launch

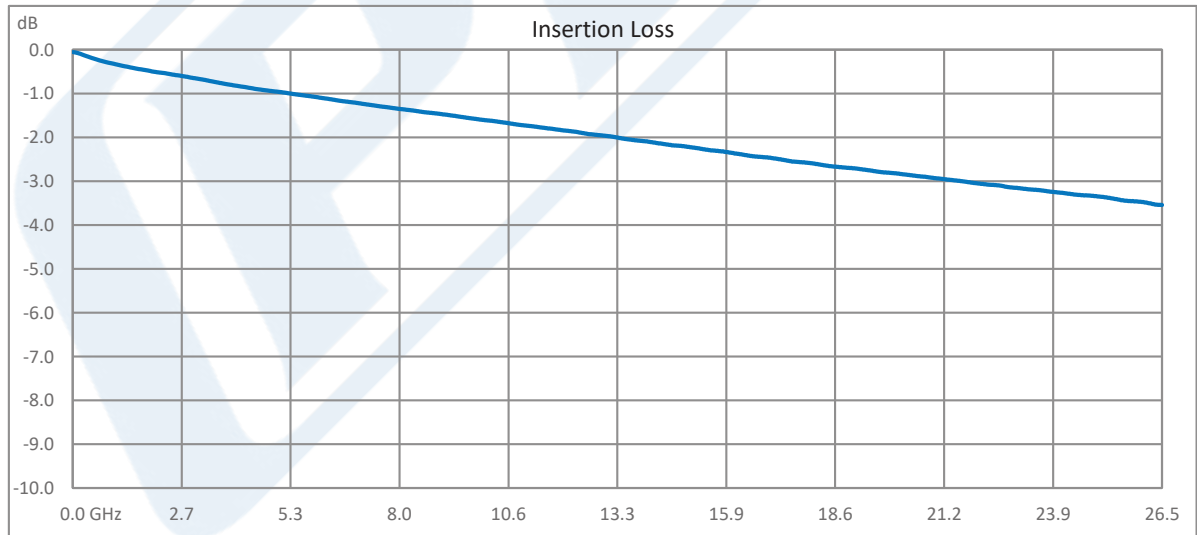
RF Connectors
Technical Data Sheet

PE45458

Typical Performance Data



Test data taken with 2 connectors on both ends of test fixture



Test data taken with 2 connectors on both ends of test fixture

Click the following link (or enter part number in "SEARCH" on website) to obtain additional part information including price, inventory and certifications: [SMA Female Connector Clamp Attachment Vertical Launch PCB, Removable Stripline Launch PE45458](#)



SMA Female Connector Clamp Attachment Vertical Launch PCB, Removable Stripline Launch

RF Connectors Technical Data Sheet

PE45458

SMA Female Connector Clamp Attachment Vertical Launch PCB, Removable Stripline Launch from Pasternack Enterprises has same day shipment for domestic and International orders. Our RF, microwave and millimeter wave products maintain a 99.4% availability and are part of the broadest selection in the industry.

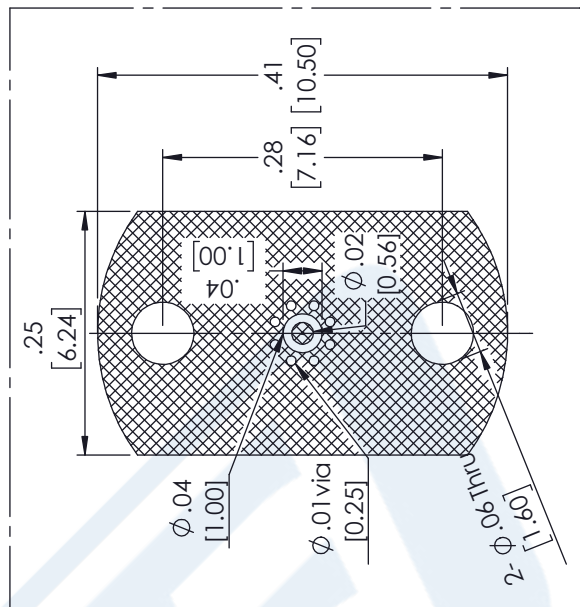
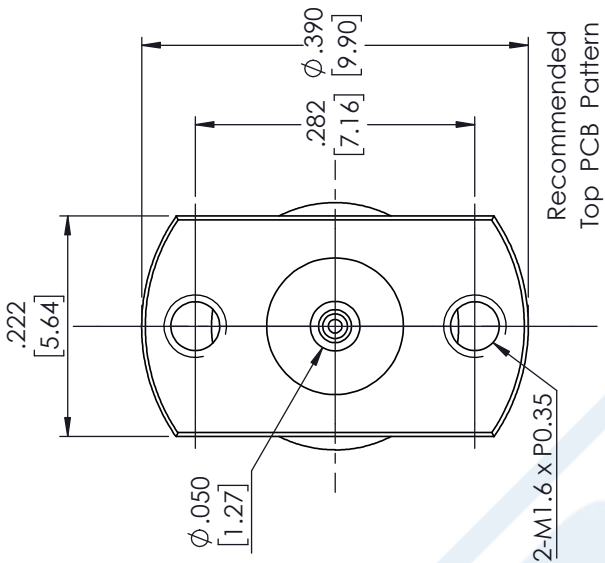
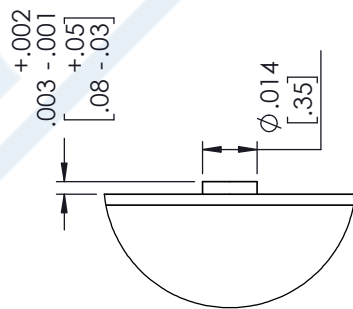
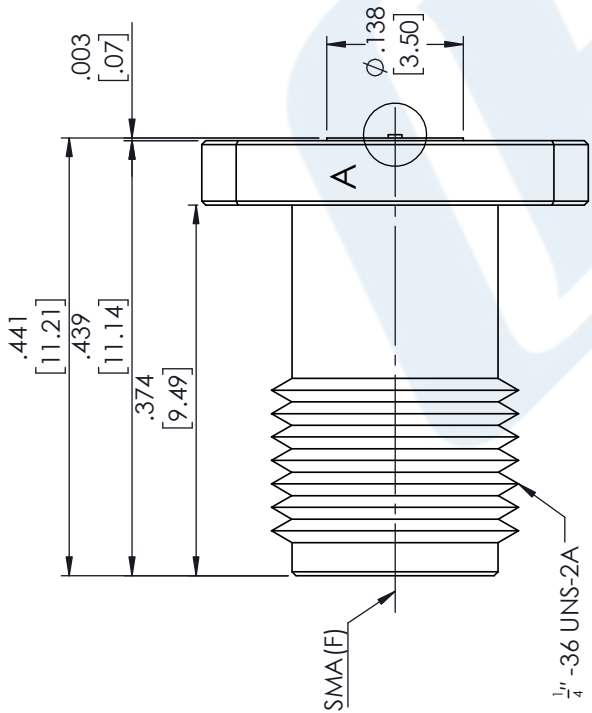
Click the following link (or enter part number in "SEARCH" on website) to obtain additional part information including price, inventory and certifications: [SMA Female Connector Clamp Attachment Vertical Launch PCB, Removable Stripline Launch PE45458](https://www.pasternack.com/sma-female-vertical-launch-pcb-connector-pe45458-p.aspx)

URL: <https://www.pasternack.com/sma-female-vertical-launch-pcb-connector-pe45458-p.aspx>

The information contained in this document is accurate to the best of our knowledge and representative of the part described herein. It may be necessary to make modifications to the part and/or the documentation of the part, in order to implement improvements. Pasternack reserves the right to make such changes as required. Unless otherwise stated, all specifications are nominal. Pasternack does not make any representation or warranty regarding the suitability of the part described herein for any particular purpose, and Pasternack does not assume any liability arising out of the use of any part or documentation.

PE45458 CAD Drawing

SMA Female Connector Clamp Attachment Vertical
Launch PCB, Removable Stripline Launch



* PCB : R04003C 8mil

STANDARD TOLERANCES	
.X	±0.2
.XX	±0.01
.XXX	±0.005

*STANDARD TOLERANCES APPLY ONLY TO DIMENSIONS IN INCHES

NOTES:
1. UNLESS OTHERWISE SPECIFIED ALL DIMENSIONS ARE NOMINAL.
2. ALL SPECIFICATIONS ARE SUBJECT TO CHANGE WITHOUT NOTICE AT ANY TIME
3. DIMENSIONS ARE IN INCHES [mm].

DWG TITLE	PE45458
CAGE CODE	53919
CAD FILE	06/04/18
SCALE	N/A
SIZE	A
	CN2379

PE PASTERNAK
THE ENGINEER'S RF SOURCE

Pasternack Enterprises, Inc.
P.O. Box 16759 | Irvine | CA | 92623

Phone: (949) 261-1920 | Fax: (949) 261-7451
Website: www.pasternack.com | E-Mail: sales@pasternack.com