

VS-IP20-OE-94F-LI/2,0 - Network cable



1415255

<https://www.phoenixcontact.com/us/products/1415255>

Please be informed that the data shown in this PDF document is generated from our online catalog. Please find the complete data in the user documentation. Our general terms of use for downloads are valid.



Assembled Ethernet cable, CAT6, shielded, 4-pair, AWG 26 stranded (7-wire), RAL 5021 (water blue), RJ45 plug/IP20 on free conductor end, line, length 2 m

Commercial data

Item number	1415255
Packing unit	1 pc
Minimum order quantity	1 pc
Sales key	AB11
Product key	ABNABF
Catalog page	Page 208 (PC-2009)
GTIN	4046356474849
Weight per piece (including packing)	113 g
Weight per piece (excluding packing)	94.993 g
Customs tariff number	85444210
Country of origin	PL

1415255

<https://www.phoenixcontact.com/us/products/1415255>

Technical data

Product properties

Product type	Data cable preassembled
Sensor type	Ethernet
Number of positions	8
No. of cable outlets	1
Number of slots	1
Shielded	yes
Cable outlet	straight

Insulation characteristics

Degree of pollution	2
---------------------	---

Electrical properties

Transmission medium	Copper
Transmission characteristics (category)	CAT6
Transmission speed	1 Gbps
Wave impedance	100 Ω

Mechanical properties

Mechanical data

Insertion/withdrawal cycles	≥ 750
Insertion force per signal contact	50.00 N
Extraction force per signal contact	30 N

Material specifications

Flammability rating according to UL 94	V2
Outer sheath, material	PUR
Conductor material	Bare Cu litz wires

Connector

Connection 1

Type	Plug straight RJ45
Shielded	yes
Degree of protection	IP20
Number of positions	8

Connection 2

Type	free cable end
Number of positions	8

Cable/line


Cable length	2.00 m
--------------	--------

VS-IP20-OE-94F-LI/2,0 - Network cable

1415255

<https://www.phoenixcontact.com/us/products/1415255>

Ethernet 10 Gbit [94F]

Dimensional drawing	
Shielded	yes
UL AWM Style	20963 (80°C/30 V)
Cable weight	42 kg/km
Cable type	Ethernet 10 Gbit
Short symbol	02YSC11Y
Cable type (abbreviation)	94F
Signal type/category	Ethernet CAT6 _A , 10 Gbps
Cable structure	4x2xAWG26/7; S/FTP
External cable diameter	6.4 mm ±0.2 mm
Outer sheath, material	PUR
External sheath, color	water blue RAL 5021
Thickness, outer sheath	0.65 mm
Conductor material	Bare Cu litz wires
Conductor structure signal line	7x 0.16 mm
AWG signal line	26
Conductor cross section	4x 2x 0.14 mm ²
Material wire insulation	Foamed PE
Wire diameter incl. insulation	1.04 mm
Single wire, color	white/blue-blue, white/orange-orange, white/green-green, white/brown-brown
Twisted pairs	2 cores to the pair
Type of pair shielding	Aluminum-lined foil
Overall twist	4 pairs for core
Shielding	Tinned copper braided shield
Optical shield covering	70 %
Nominal voltage, cable	≤ 100 V
Test voltage Core/Core	700 V (50 Hz, 1 min.)
Test voltage Core/Shield	700 V (50 Hz, 1 min.)
Cable insulation resistance	≥ 500 MΩ*km
Wave impedance	100 Ω ±5 Ω (at 100 MHz)
Loop resistance	≤ 290.00 Ω/km
Cable capacity	47 nF/km
Signal runtime	5.13 ns/m
Tensile strength	≤ 100 N

VS-IP20-OE-94F-LI/2,0 - Network cable



1415255

<https://www.phoenixcontact.com/us/products/1415255>

Minimum bending radius, fixed installation	4 x D
Minimum bending radius, flexible installation	8 x D
Damping	3.1 dB (with 1 MHz)
	5.7 dB (at 4 MHz)
	8 dB (at 8 MHz)
	8.9 dB (at 10 MHz)
	11.2 dB (at 16 MHz)
	12.6 dB (at 20 MHz)
	14.1 dB (at 25 MHz)
	15.8 dB (at 31.25 MHz)
	22.5 dB (at 62.5 MHz)
	28.7 dB (at 100 MHz)
	41.4 dB (at 200 MHz)
	46.6 dB (at 250 MHz)
	51.4 dB (at 300 MHz)
60.1 dB (at 400 MHz)	
67.9 dB (at 500 MHz)	
Near end crosstalk attenuation (NEXT)	75.3 dB (with 1 MHz)
	66.3 dB (at 4 MHz)
	61.8 dB (at 8 MHz)
	60.3 dB (at 10 MHz)
	57.2 dB (at 16 MHz)
	55.8 dB (at 20 MHz)
	54.3 dB (at 25 MHz)
	52.8 dB (at 31.25 MHz)
	48.4 dB (at 62.5 MHz)
	45.3 dB (at 100 MHz)
	40.8 dB (at 200 MHz)
	39.3 dB (at 250 MHz)
	38.1 dB (at 300 MHz)
36.3 dB (at 400 MHz)	
34.8 dB (at 500 MHz)	
Power-summated near end crosstalk attenuation (PSNEXT)	72.3 dB (with 1 MHz)
	63.3 dB (at 4 MHz)
	58.8 dB (at 8 MHz)
	57.3 dB (at 10 MHz)
	54.2 dB (at 16 MHz)
	52.8 dB (at 20 MHz)
	51.3 dB (at 25 MHz)
	49.9 dB (at 31.25 MHz)
	45.4 dB (at 62.5 MHz)
	42.3 dB (at 100 MHz)
	37.8 dB (at 200 MHz)
	36.3 dB (at 250 MHz)

VS-IP20-OE-94F-LI/2,0 - Network cable



1415255

<https://www.phoenixcontact.com/us/products/1415255>

	35.1 dB (at 300 MHz)
	33.3 dB (at 400 MHz)
	31.8 dB (at 500 MHz)
Return loss (RL)	20 dB (with 1 MHz)
	23 dB (at 4 MHz)
	24.5 dB (at 8 MHz)
	25 dB (at 10 MHz)
	25 dB (at 16 MHz)
	25 dB (at 20 MHz)
	24.2 dB (at 25 MHz)
	23.3 dB (at 31.25 MHz)
	20.7 dB (at 62.5 MHz)
	19 dB (at 100 MHz)
	16.4 dB (at 200 MHz)
	15.6 dB (at 250 MHz)
	15.6 dB (at 300 MHz)
	15.6 dB (at 400 MHz)
	15.6 dB (at 500 MHz)
Shield attenuation	≥ 80 dB (at 30 ... 100 MHz)
Halogen-free	according to IEC 60754-1
Resistance to oil	in accordance with DIN EN 60811-2-1
Flame resistance	according to IEC 60332-1-2
Ambient temperature (operation)	-20 °C ... 80 °C (Cable, flexible installation)
	-40 °C ... 80 °C (cable, fixed installation)

Environmental and real-life conditions

Ambient conditions

Degree of protection	IP20
	IP20
Ambient temperature (operation)	-25 °C ... 60 °C (cable, fixed installation)
	-10 °C ... 50 °C (Cable, flexible installation)

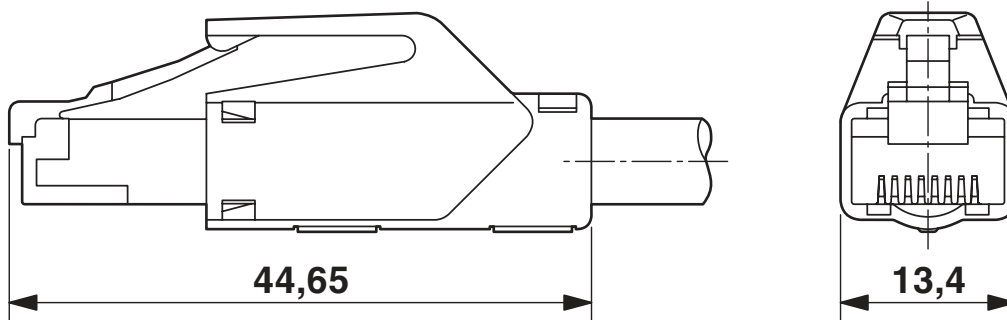
VS-IP20-OE-94F-LI/2,0 - Network cable

1415255

<https://www.phoenixcontact.com/us/products/1415255>

Drawings

Dimensional drawing



VS-IP20-OE-94F-LI/2,0 - Network cable



1415255

<https://www.phoenixcontact.com/us/products/1415255>

Approvals

To download certificates, visit the product detail page: <https://www.phoenixcontact.com/us/products/1415255>



EAC

Approval ID: 19060508

VS-IP20-OE-94F-LI/2,0 - Network cable



1415255

<https://www.phoenixcontact.com/us/products/1415255>

Classifications

ECLASS

ECLASS-11.0	27060308
ECLASS-12.0	27060308
ECLASS-13.0	27060308

ETIM

ETIM 8.0	EC002599
----------	----------

UNSPSC

UNSPSC 21.0	26121600
-------------	----------

VS-IP20-OE-94F-LI/2,0 - Network cable



1415255

<https://www.phoenixcontact.com/us/products/1415255>

Environmental product compliance

China RoHS	Environmentally friendly use period: unlimited = EFUP-e No hazardous substances above threshold values
------------	---

Phoenix Contact 2023 © - all rights reserved
<https://www.phoenixcontact.com>

Phoenix Contact USA
586 Fulling Mill Road
Middletown, PA 17057, United States
(+717) 944-1300
info@phoenixcon.com