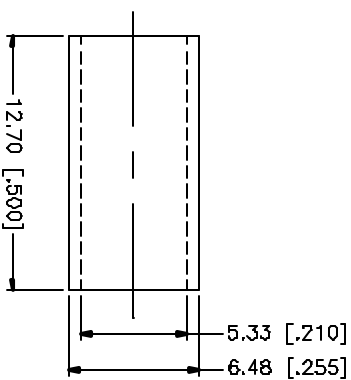
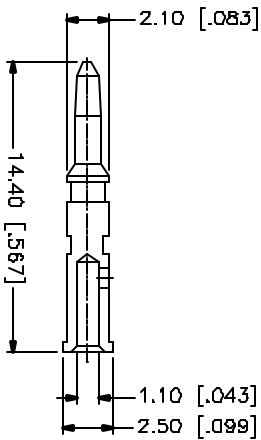
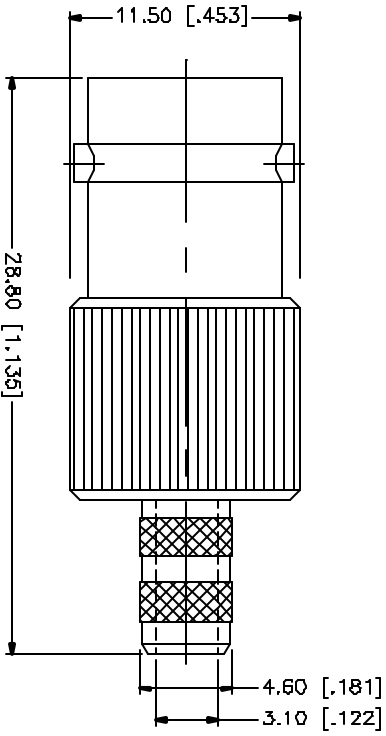
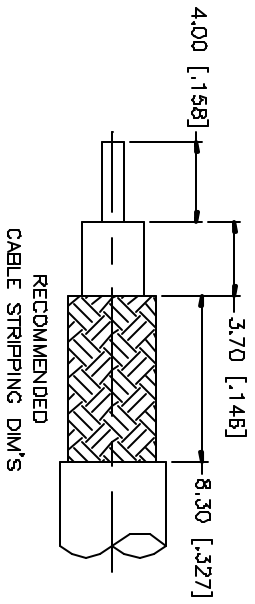


REV.	DATE	DESCRIPTION
NC	05/01/04	INITIAL RELEASE



NOTE:

1. CRIMPED FERRULE  
HEX CRIMP SIZE .213"
2. CRIMPED CONTACT PIN  
HEX CRIMP SIZE .068"

**Amphenol Connex**

**BNC REVERSE POLARITY CRIMP JACK**

REV.	DATE	DESCRIPTION	QTY	MATERIAL	FINISH
8					
7					
6					
5					
4			1	COPPER	NICKEL
3			1	BRASS	GOLD
2			1	TEFLON	NATURAL
1			1	BRASS	NICKEL
DESCRIPTION		MATERIAL FINISH QTY			

UNLESS OTHERWISE SPECIFIED DIMENSIONS ARE IN INCHES AND FOR DIMENSIONS REFER TO THIS TOLERANCES FOR MILLING ARE:	UNLESS OTHERWISE SPECIFIED DIMENSIONS FOR TURNING ARE:
D.5 - .015	B - .015
B - .015	B - .015
30 - .015	30 - .015
UNLESS OTHERWISE SPECIFIED DIMENSIONS FOR TURNING ARE:	
.020 - .015 = ± 0.007	
.315 - 1.180 = ± 0.015	
1.180 - 4.724 = ± 0.030	

APPROVALS	DATE
DRAWN G.R.S.	05/01/04
CHECKED	
ISSUED	
SHEET 1 OF 1	

PART DESCRIPTION	PART NO.
BNC REVERSE POLARITY CRIMP JACK	112144RP

DWG. NO.	REV.	SIZE	SCALE
112144RP.DWG	NC	A	NA