

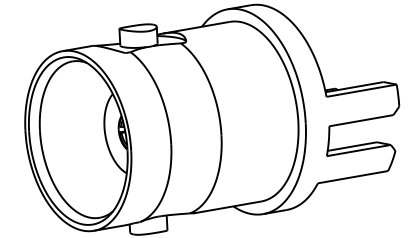
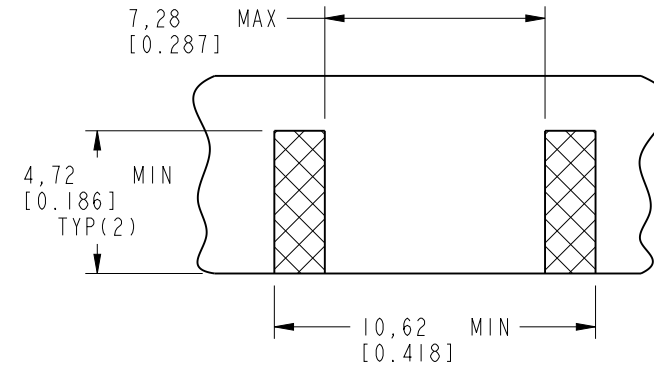
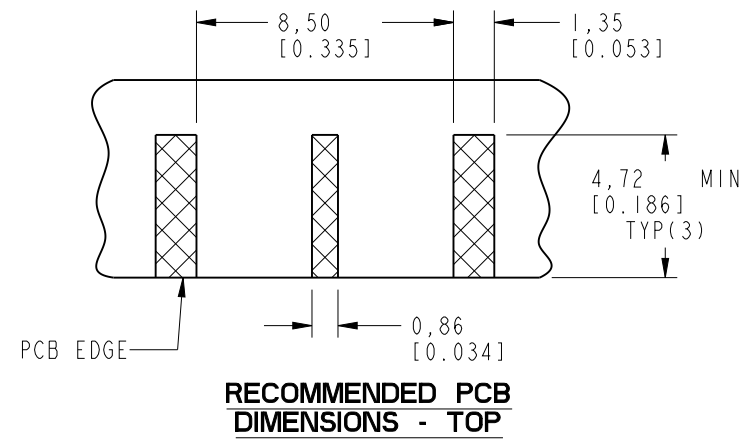
NOTES:

1. MATERIALS AND FINISHES:
 BODY - BRASS, NICKEL PLATING
 CONTACT - PHOSPHOR BRONZE, GOLD PLATING
 INSULATOR - PTFE, NATURAL
2. ELECTRICAL:
 A. IMPEDANCE: 50 OHM
 B. FREQUENCY RANGE: DC - 4 GHz
 C. VSWR(RETURN LOSS): 1.30 MAX.
 D. RF LEAKAGE: 55 dB MIN. @ 3 GHz
 E. INSULATION RESISTANCE: 5000 MΩ MIN
3. MECHANICAL:
 A. DURABILITY: 500 CYCLES MIN.
 B. TEMPERATURE RANGE: -65° C TO +165° C

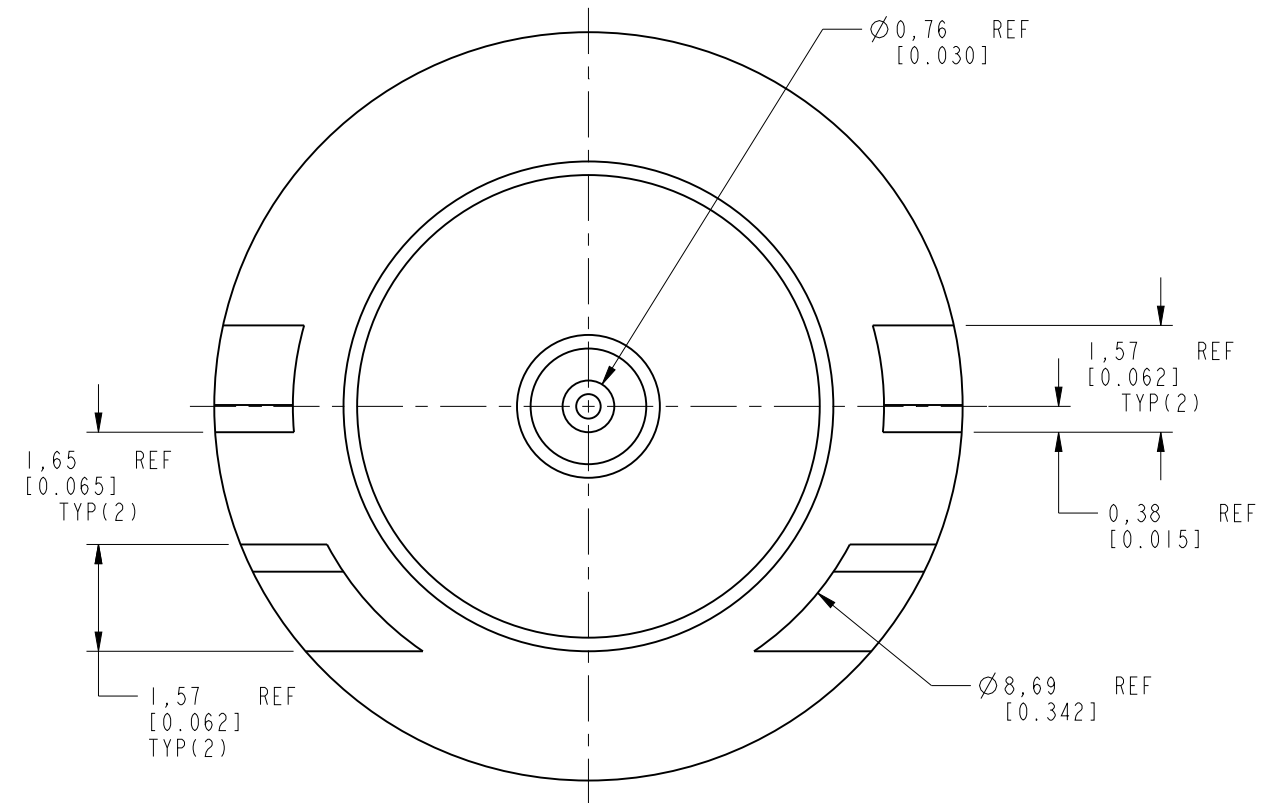
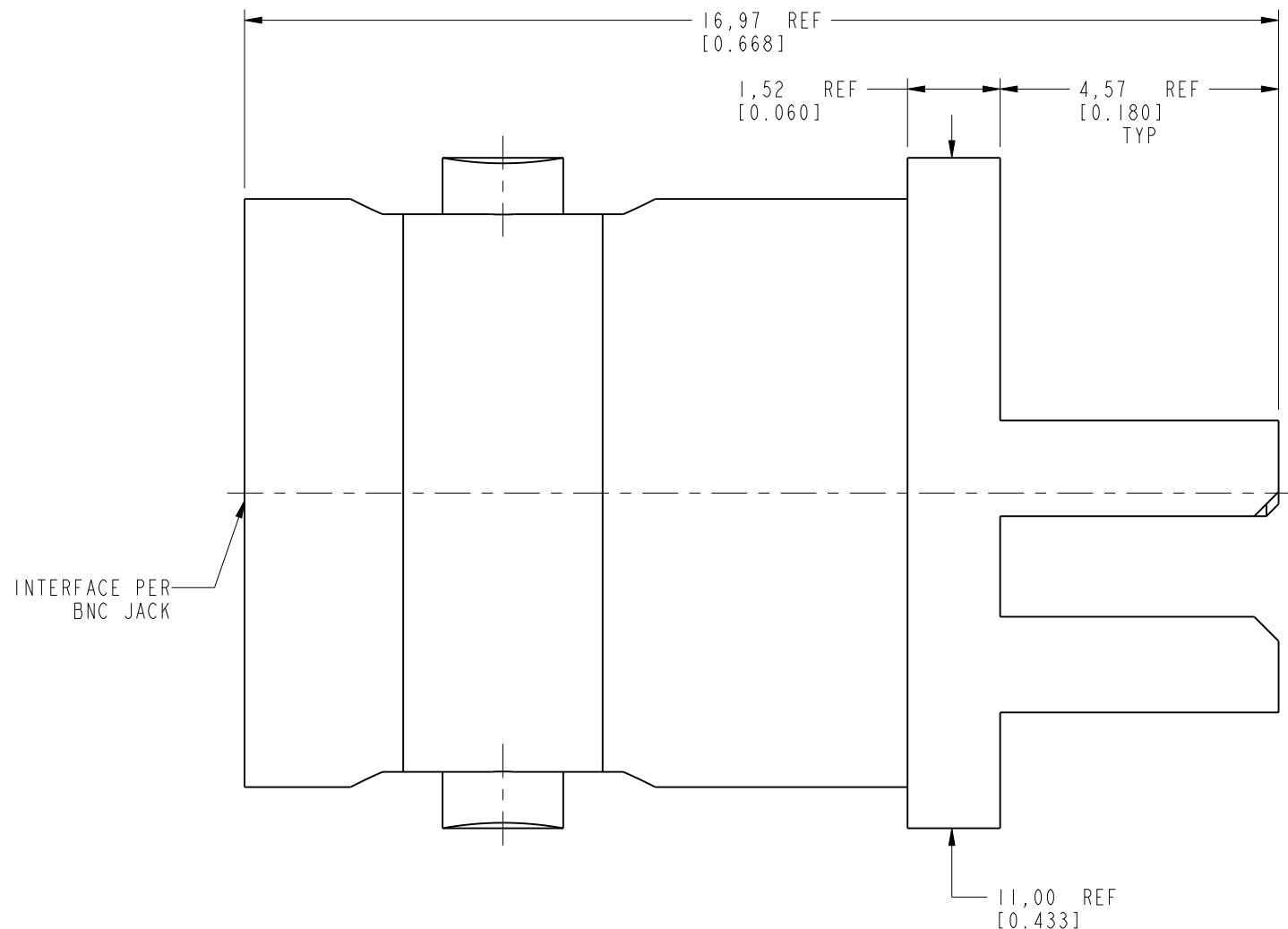
THIRD ANGLE PROJ.

REVISIONS

| REV | DESCRIPTION | DATE | ECO | APPR |
|-----|------------------------------------|-----------|--------|------|
| -- | RELEASE TO MFG. | -- | -- | -- |
| B | NOTES ADDED | 12-Jun-08 | 100028 | -- |
| C | REDRAWN IN PRO-E & COD SHEET ADDED | 18-May-15 | 50540 | NR |



SCALE 2.500



CUSTOMER OUTLINE DRAWING

ALL OTHER SHEETS ARE FOR INTERNAL USE ONLY

| | | | | | | | |
|--|----------------------------------|------------------------|----------------|---|--------------|--------------------|-----------------|
| UNLESS OTHERWISE SPECIFIED, DIMENSIONS ARE IN METRIC AND TOLERANCES ARE: <0.5mm ±0.05mm 0.5 - 6mm ±0.1mm 6 - 30mm ±0.2mm 30 - 120mm ±0.3mm ANGLES ±1° | MATERIAL | DRAWN STAR | DATE 18-May-15 | TITLE BNC STR JACK EDGE MOUNT RECEPTACLE | | Amphenol Connex | |
| | REFERENCE B625100-006-NT3G-50 | ENGINEER K. CAPOZZI | DATE 07-May-15 | | | | |
| | CONFIGURATION LEVEL: In Work | APPROVED S. HSIEH | DATE 18-May-15 | SCALE: 9.0:1.0 | SHEET 3 OF 3 | DRAWING NO. | |
| | FINISH | CAD FILE | | DWG SIZE B | REV C | ITEM NO. | PART NO. 112640 |

NOTICE - These drawings, specifications, or other data (1) are, and remain the property of Amphenol corp. (2) must be returned upon request; and (3) are confidential and not to be disclosed to any person other than those to whom they are given by Amphenol Corp. the furnishing of these drawings, specifications, or other data by Amphenol Corp., or to any other person to anyone for any purpose is not to be regarded by implication or otherwise in any manner licensing, granting rights to permitting such holder or any other person to manufacture, use or sell any product, process or design, patented or otherwise, that may in any way be related to or disclosed by said drawings, specifications, or other data.