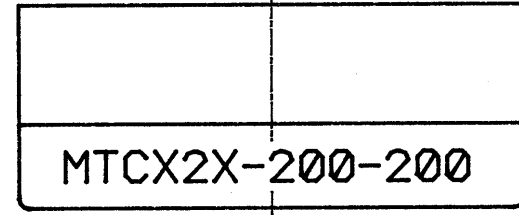
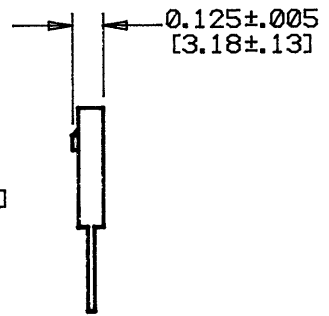
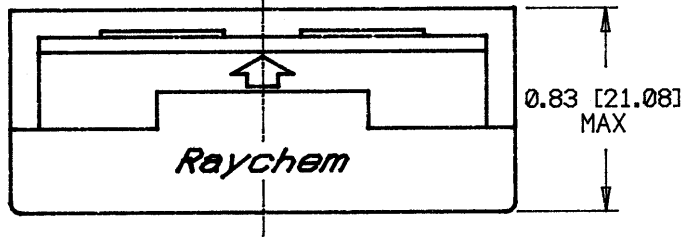
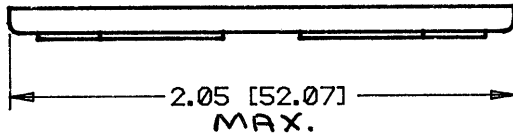


NOTES:

1. DUMMY WAFER USED IN PLACE OF ANY STYLE WAFER OF SAME WIDTH.
2. MATERIAL: HIGH GRADE POLYARYLENE THERMOPLASTIC.

REVISIONS			
LTR	DESCRIPTION	DATE	APPROVED
E	ADD WEIGHT AND REDRAWN ON CAD PER ECN #1-06	87 Jul 22	93



SPECIFICATION CONTROL DRAWING © Raychem Corporation 1987

UNLESS OTHERWISE SPECIFIED DIMENSIONS ARE IN INCHES. METRIC DIMENSIONS ARE IN BRACKETS.	DRAWN	R.RUSH	11-80	Raychem <small>RAYCHEM CORPORATION 300 CONSTITUTION DRIVE MENLO PARK, CALIFORNIA 94025</small>
	CHECKED	J.B.		
	APPROVED	J.BLAIR	4-3-81	
	APPROVED	R.D.YATES	4-3-81	
DECIMALS	CAD NAME MTC100.D6590004			MTC CONNECTOR DUMMY WAFER 2"
.XXX ± (mm)				
.XX ± (mm)				SIZE B CODE IDENT. NO. 06090 DWG. NO. D-659-0004 REV E
ANGLES				
.X ±				DO NOT SCALE THIS DRAWING
WEIGHT MAX 0.0055lbs (2.495g.)	THIRD ANGLE PROJECTION			

If this document is printed it becomes uncontrolled.
Check with the web for latest revision.