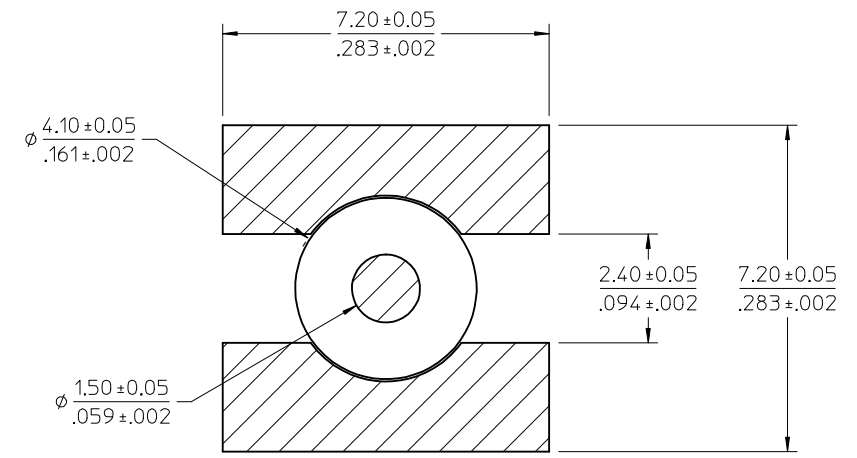
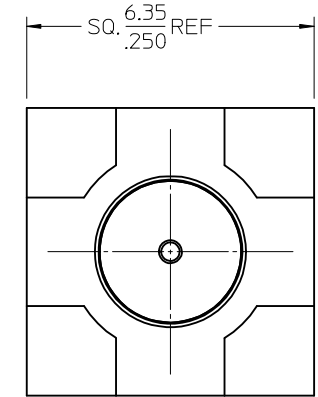
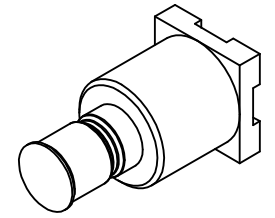
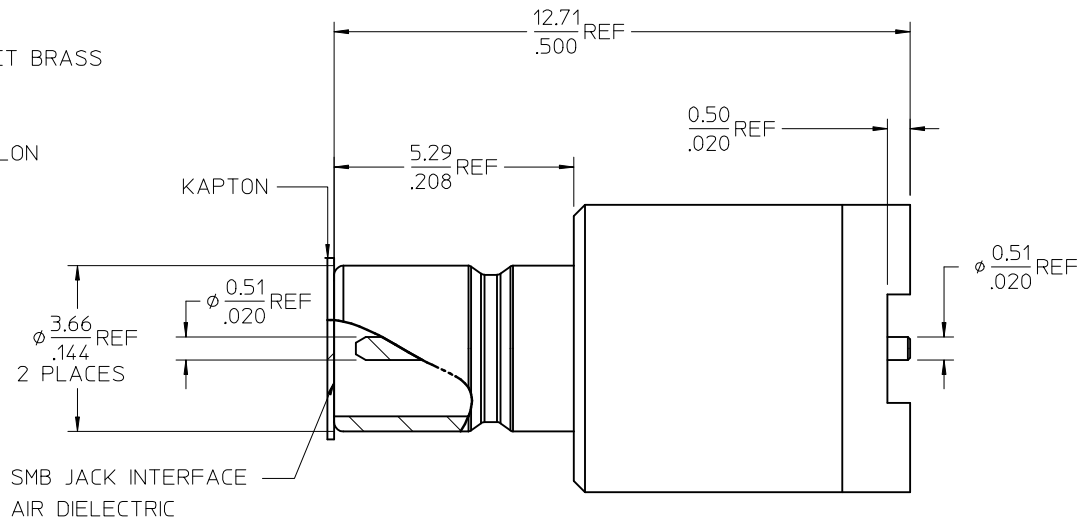


MATERIALS AND FINISHES

BODY BRASS
PLATED GOLD

CENTER CONTACT BRASS
PLATED GOLD

INSULATOR TEFLON

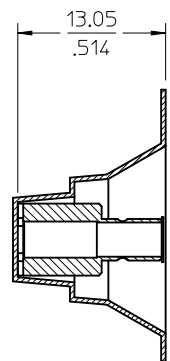


SUGGESTED PCB LAYOUT

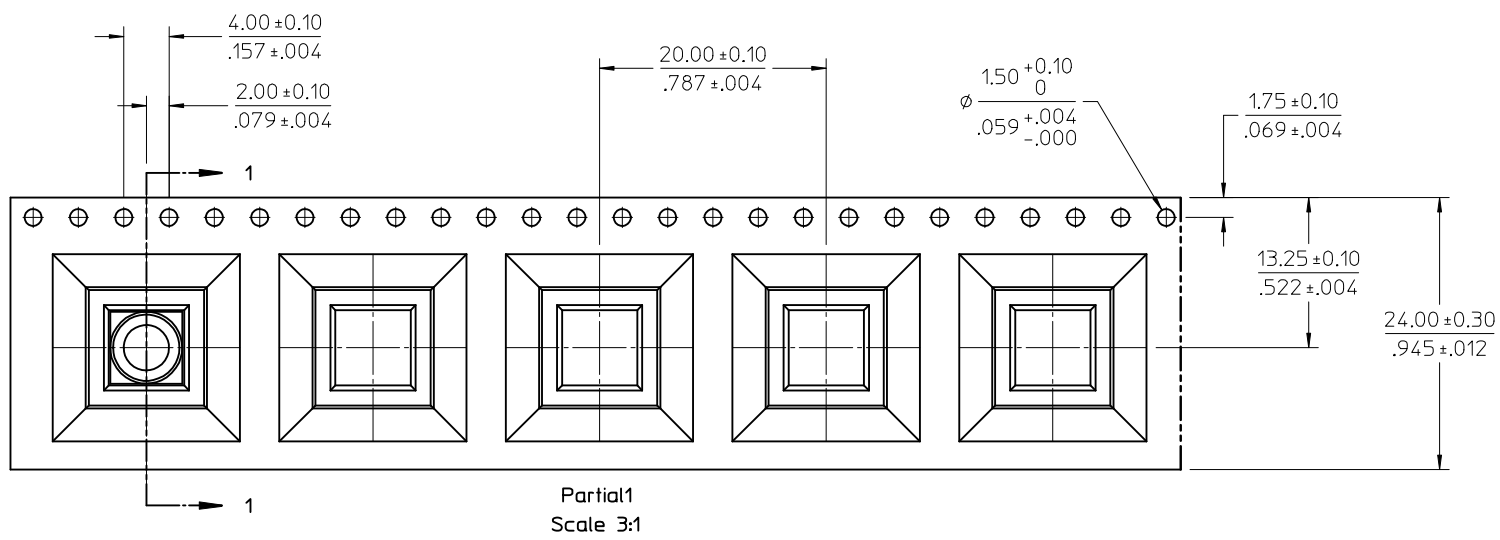
PART # 73404-6260

MIL-STD-348A, FIG. 311-1	INTERFACE
SPECIFICATION	DESCRIPTION

CHANGE KAPTON OD PER RF15-E191 EC NO: URF2015-0608 DRWNLIN 2015/05/04 CHKD: APPR: YCHENG 2015/05/05 DESCRIPTION	QUALITY SYMBOLS	GENERAL TOLERANCES (UNLESS SPECIFIED)	DIMENSION STYLE	SCALE	DESIGN UNITS	THIRD ANGLE PROJECTION
	▽=0	mm INCH	MM/IN	20:1	METRIC	☉
	▽=0	4 PLACES ± .000 ± .000	DRAWN BY DATE	TITLE	SMB JACK STR. 75 OHMS FOR PCB SMT TYPE SMB-J/PCB	
	▽=0	3 PLACES ± .000 ± .000	CHECKED BY DATE	SD-73404-626		SHEET NO. 1 OF 4
REV: B2	1 PLACE ± .000 ± .000	APPROVED BY DATE	DOCUMENT NO.		THIS DRAWING CONTAINS INFORMATION THAT IS PROPRIETARY TO MOLEX INCORPORATED AND SHOULD NOT BE USED WITHOUT WRITTEN PERMISSION	
	0 PLACE ± .000 ± .000	MATERIAL NO.	734046260			
	ANGULAR ± 2 °	SIZE	C			

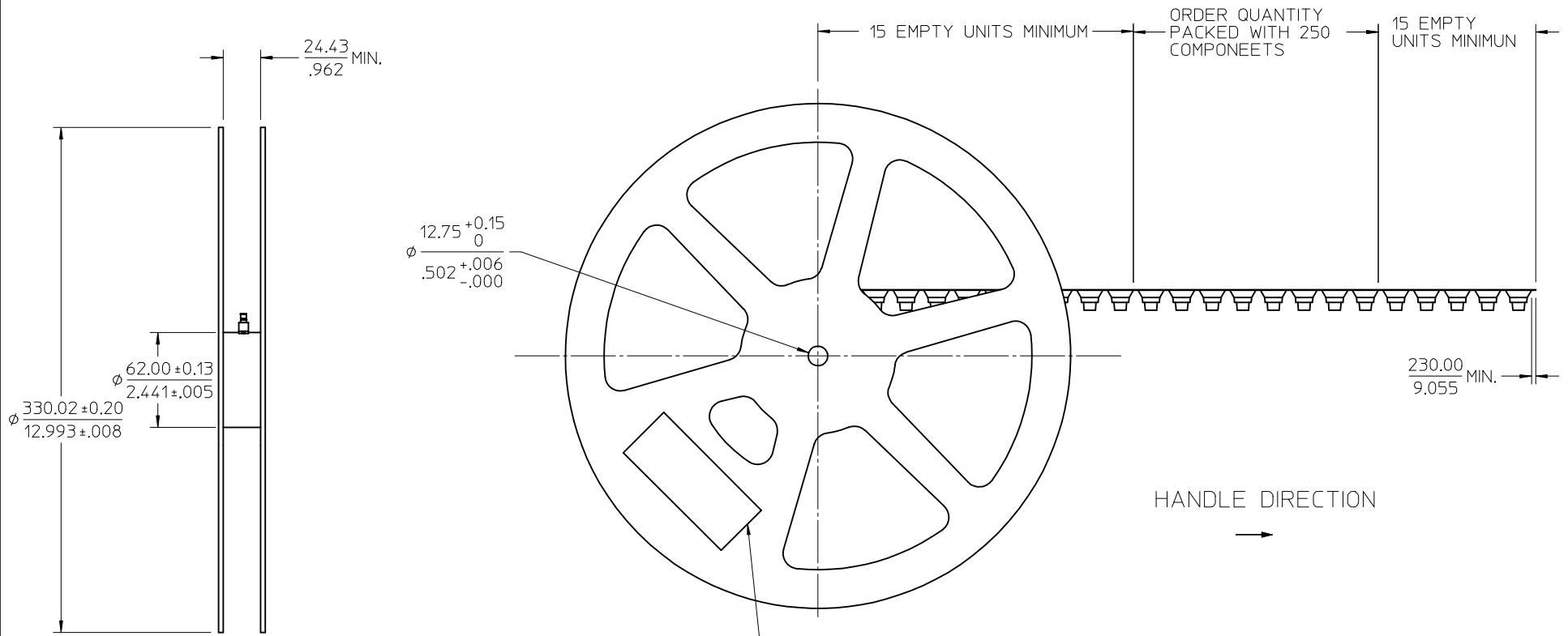


Section 1-1



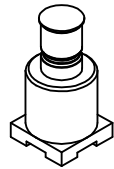
Partial1
Scale 3:1

SEE SHEET 1 EC NO: URF2015-0608 DRAWN BY: DRWNLIN 2015/05/04 CHKD: APPR: YCHENG 2015/05/05 REV:	QUALITY SYMBOLS	GENERAL TOLERANCES (UNLESS SPECIFIED)		DIMENSION STYLE	SCALE	DESIGN UNITS	THIRD ANGLE PROJECTION
	▽=0	mm	INCH	MM/IN	3:1	METRIC	
	▽=0	4 PLACES ± ---	± ---	DRAWN BY	DATE	TITLE	
	▽=0	3 PLACES ± ---	± ---	EL IN	2013/03/26	SMB JACK STR. 75 OHMS FOR PCB SMT TYPE	
		2 PLACES ± ---	± ---	CHECKED BY	DATE	SMB-J/PCB	
		1 PLACE ± ---	± ---	ALEX	2013/03/26	molex DOCUMENT NO. SD-73404-626 SHEET NO. 2 OF 4	
		0 PLACE ± ---	± ---	APPROVED BY	DATE		
				YCHENG	2014/11/11		
				ANGULAR ± 2 °			
				DRAFT WHERE APPLICABLE MUST REMAIN WITHIN DIMENSIONS			
				SIZE	THIS DRAWING CONTAINS INFORMATION THAT IS PROPRIETARY TO MOLEX INCORPORATED AND SHOULD NOT BE USED WITHOUT WRITTEN PERMISSION		

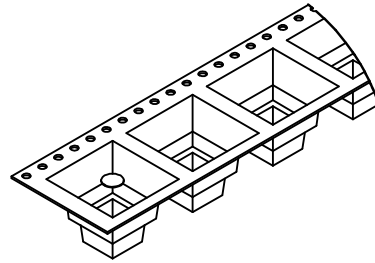


- LABEL:
- ORDER
 - QUANTITY
 - PART NUMBER
 - LOT NO.

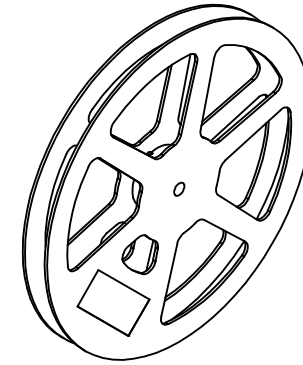
SEE SHEET 1 EC NO: URF2015-0608 DRAWN BY: DRWNLIN 2015/05/04 CHKD: YCHENG APPR: YCHENG 2015/05/05	QUALITY SYMBOLS	GENERAL TOLERANCES (UNLESS SPECIFIED)		DIMENSION STYLE	SCALE	DESIGN UNITS	THIRD ANGLE PROJECTION
	▽=0	mm	INCH	MM/IN	1:2	METRIC	
	▽=0	4 PLACES ± --- ± ---		DRAWN BY DATE	TITLE SMB JACK STR. 75 OHMS FOR PCB SMT TYPE SMB-J/PCB		
	▽=0	3 PLACES ± --- ± ---		EL IN 2013/03/26			
▽=0	2 PLACES ± --- ± ---	ANGULAR ± 2 °		CHECKED BY DATE	DOCUMENT NO. SD-73404-626		
▽=0	1 PLACE ± --- ± ---	DRAFT WHERE APPLICABLE MUST REMAIN WITHIN DIMENSIONS		ALEX 2013/03/26			
REV		0 PLACE ± --- ± ---		APPROVED BY DATE	SHEET NO. 3 OF 4		
B2				YCHENG 2014/11/11			
				MATERIAL NO.	THIS DRAWING CONTAINS INFORMATION THAT IS PROPRIETARY TO MOLEX INCORPORATED AND SHOULD NOT BE USED WITHOUT WRITTEN PERMISSION		



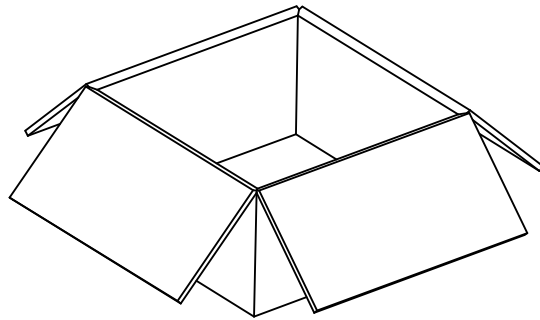
P/N: 73404-6260



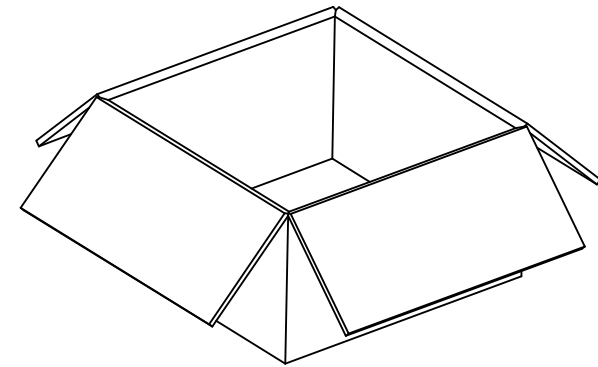
Partial2
Scale 1.5:1



250 SET PER 13" REEL



1250 SET PER INNER
CARTON BOX
343 X 343 X 188 REF.



1250 SET PER OUTER
CARTON BOX
394 X 391 X 212 REF.

SEE SHEET 1 EC NO: URF2015-0608 DRAWN BY: DRWNLIN 2015/05/04 CHKD: APPR: YCHENG 2015/05/05	QUALITY SYMBOLS	GENERAL TOLERANCES (UNLESS SPECIFIED)		DIMENSION STYLE	SCALE	DESIGN UNITS	THIRD ANGLE PROJECTION
	▽=0	mm	INCH	MM/IN	4:1	METRIC	
	▽=0	4 PLACES ± ---	± ---	DRAWN BY	DATE	TITLE	
	▽=0	3 PLACES ± ---	± ---	CHECKED BY	DATE	SMB JACK STR. 75 OHMS FOR PCB SMT TYPE SMB-J/PCB	
		2 PLACES ± ---	± ---	ALEX	2013/03/26	molex	
		1 PLACE ± ---	± ---	APPROVED BY	DATE		
		0 PLACE ± ---	± ---	YCHENG	2014/11/11	MATERIAL NO.	SHEET NO.
		ANGULAR ± 2 °		SEE SHEET 1		DOCUMENT NO.	4 OF 4
		DRAFT WHERE APPLICABLE MUST REMAIN WITHIN DIMENSIONS		SD-73404-626			
B2				THIS DRAWING CONTAINS INFORMATION THAT IS PROPRIETARY TO MOLEX INCORPORATED AND SHOULD NOT BE USED WITHOUT WRITTEN PERMISSION			