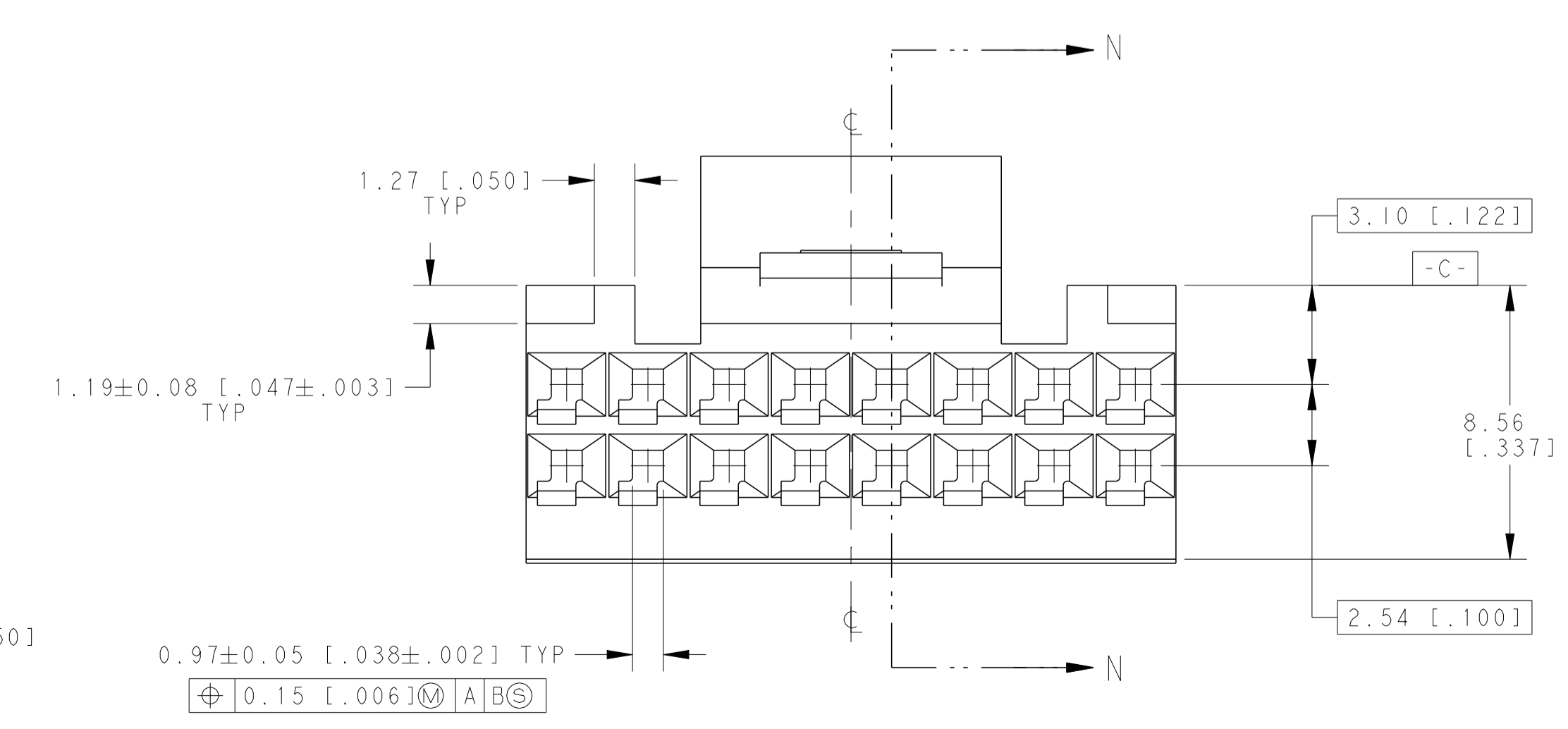
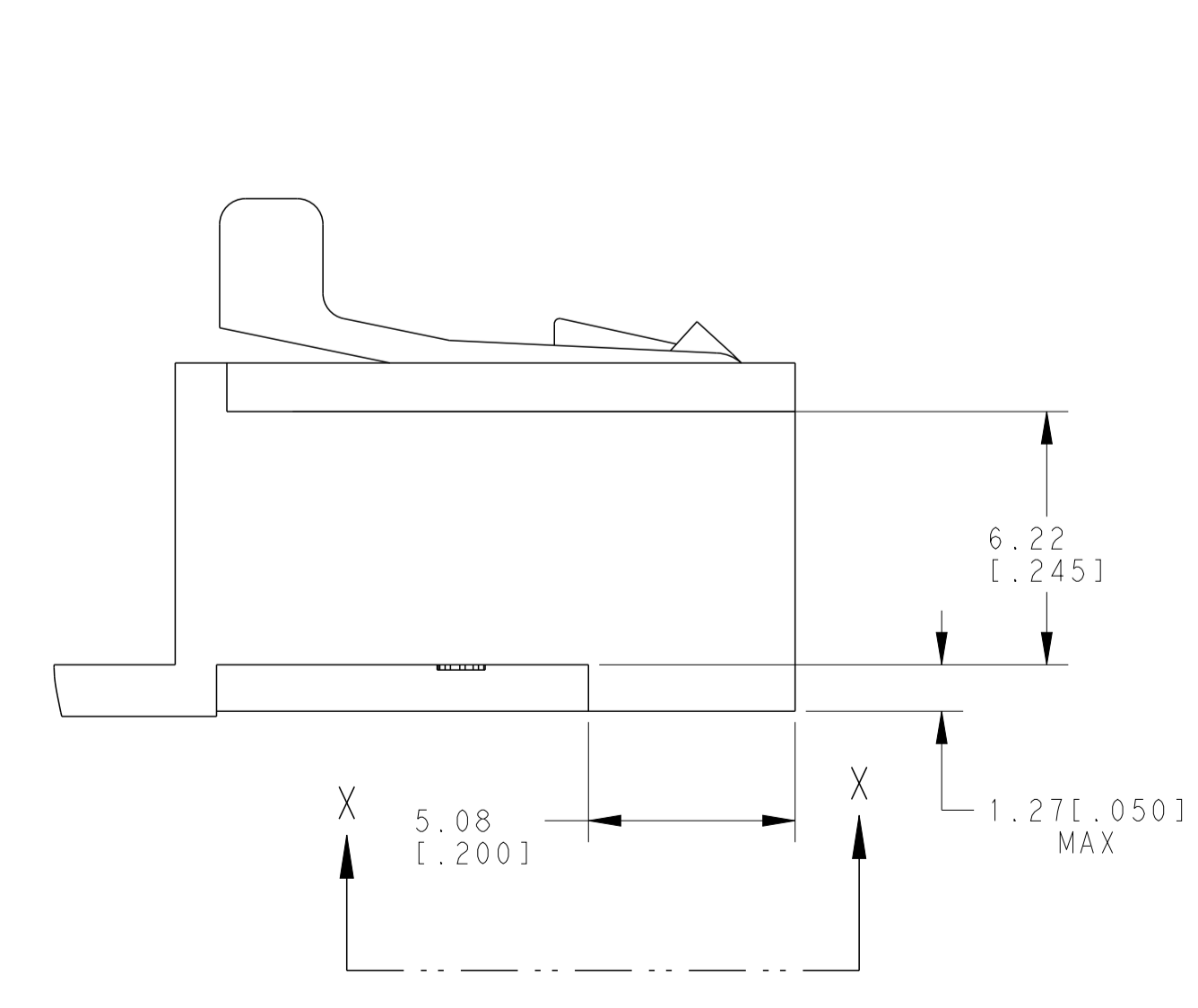
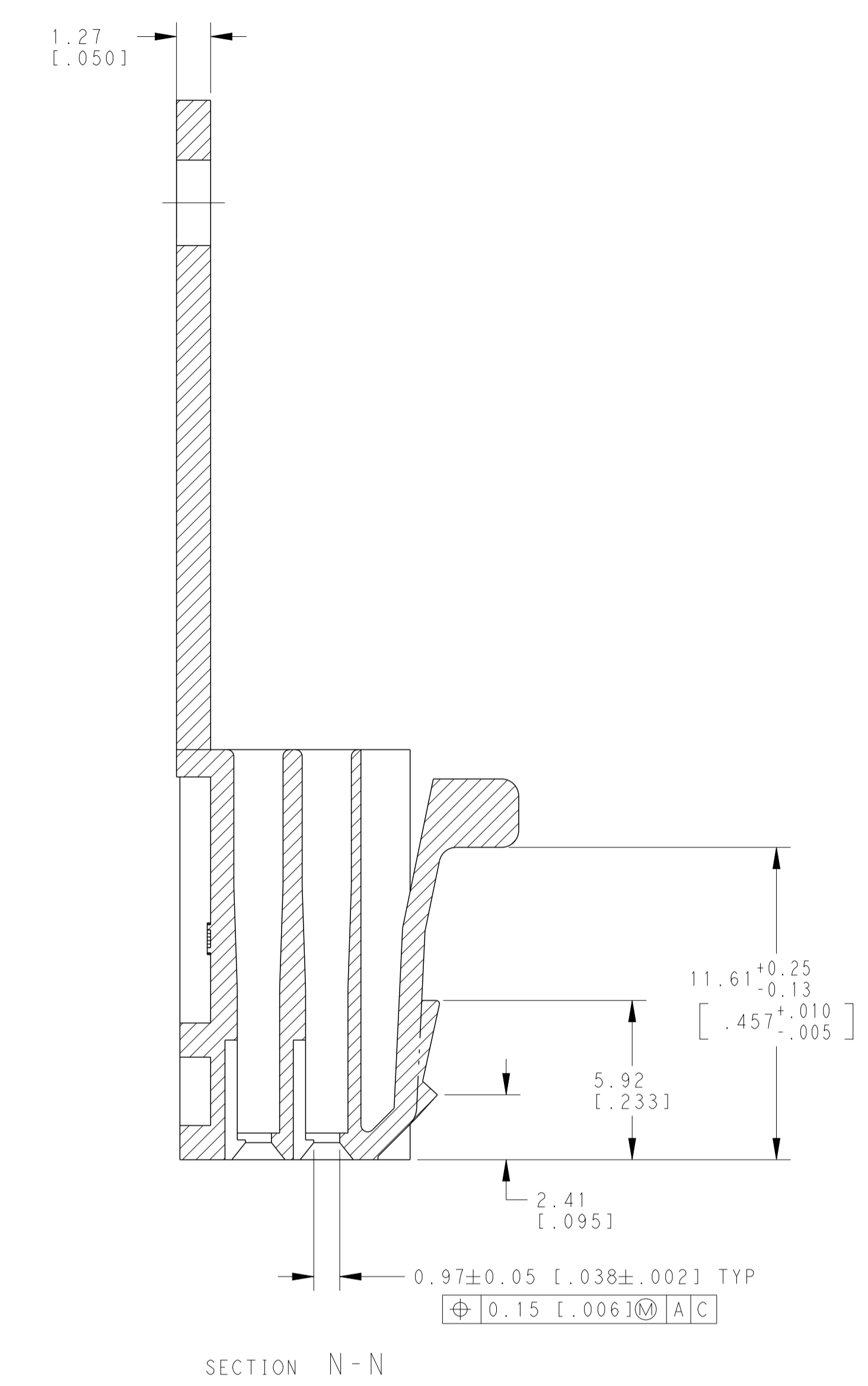
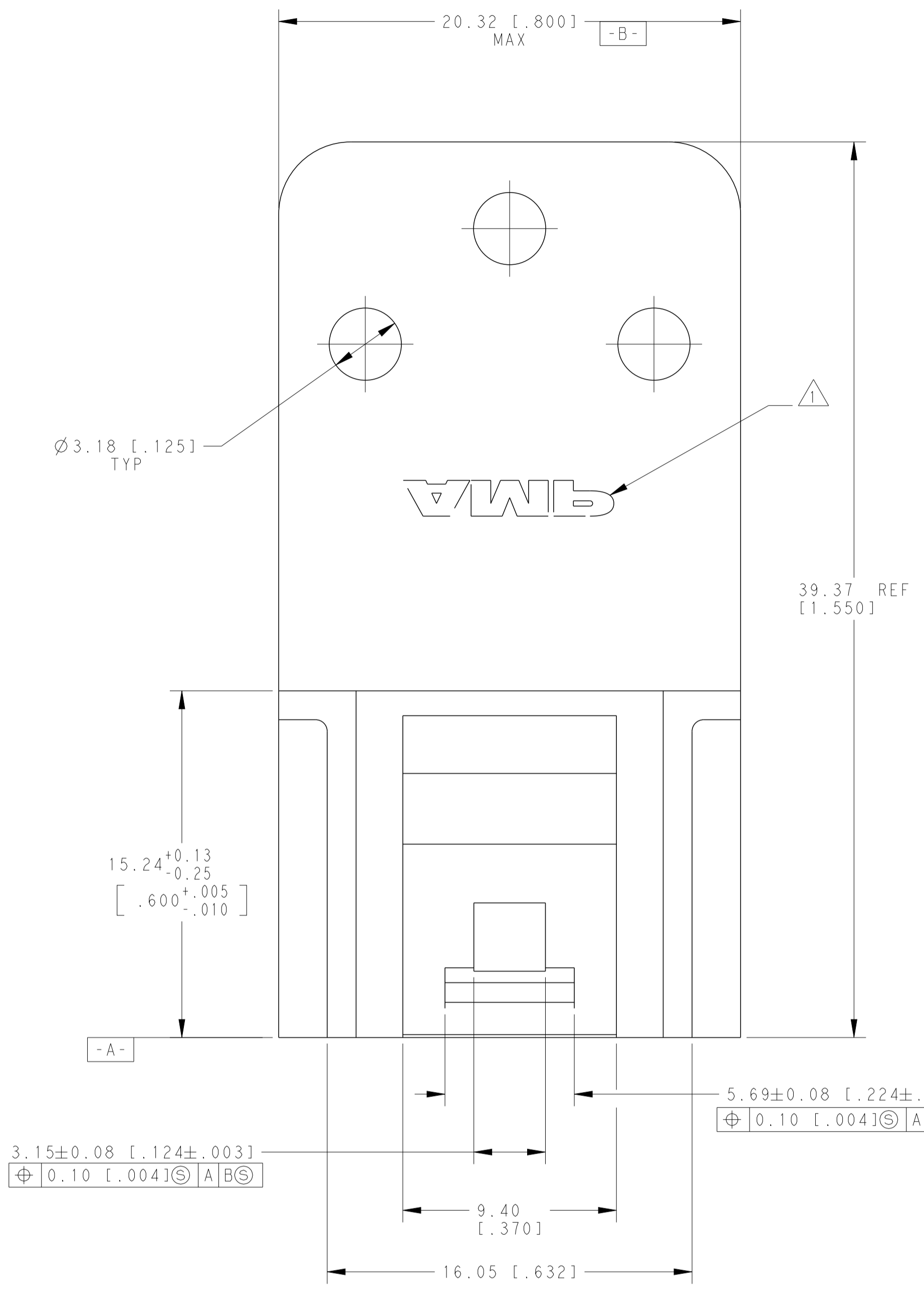
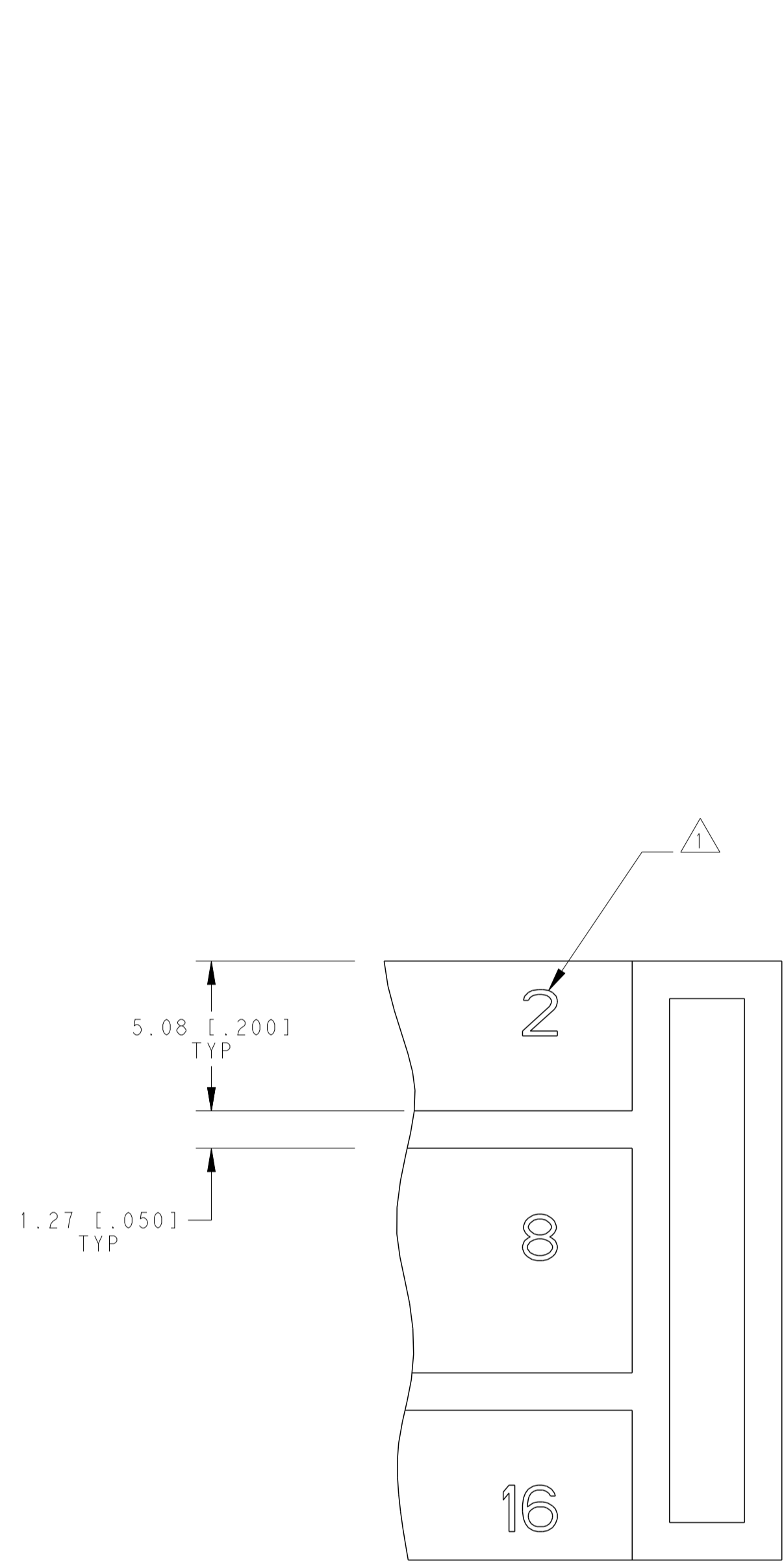


REVISIONS				
P	LTN	DESCRIPTION	DATE	APVD
B		REV PER 0G3C-0040-03	31JUL03	RB DS
C		REVISED PER ECO-18-000624	22JAN2018	RS JO



△ CAVITY ID'S AND AMP TRADEMARKS MOLDED IN AT LOCATIONS SHOWN.

104917-1  
ASSEMBLY  
PART  
NUMBER

THIS DRAWING IS A CONTROLLED DOCUMENT.		DWN E. BRANDBERG 10-28-94	TE Connectivity
DIMENSIONS: mm [INCHES]		CHK S. SHUEY 10-28-94	
TOLERANCES UNLESS OTHERWISE SPECIFIED:		APVD S. SHUEY 10-28-94	NAME HOUSING, MOD IV, DBL ROW, 2.54[.100] CL X 2.54[.100] CL, WITH POLARIZATION AND LATCH
0 PLC ± 1 PLC ± 2 PLC ±0.13(.005) 3 PLC ± 4 PLC ± ANGLES ± FINISH ±		PRODUCT SPEC	APPLICATION SPEC
MATERIAL FLAME RETARANT THERMOPLASTIC COLOR: BLACK		WEIGHT	RESTRICTED TO
RESTRICTED CUSTOMER		SIZE A100779	DRAWING NO C=104917
SCALE 6:1		SHEET 1	OF 1
REV C			