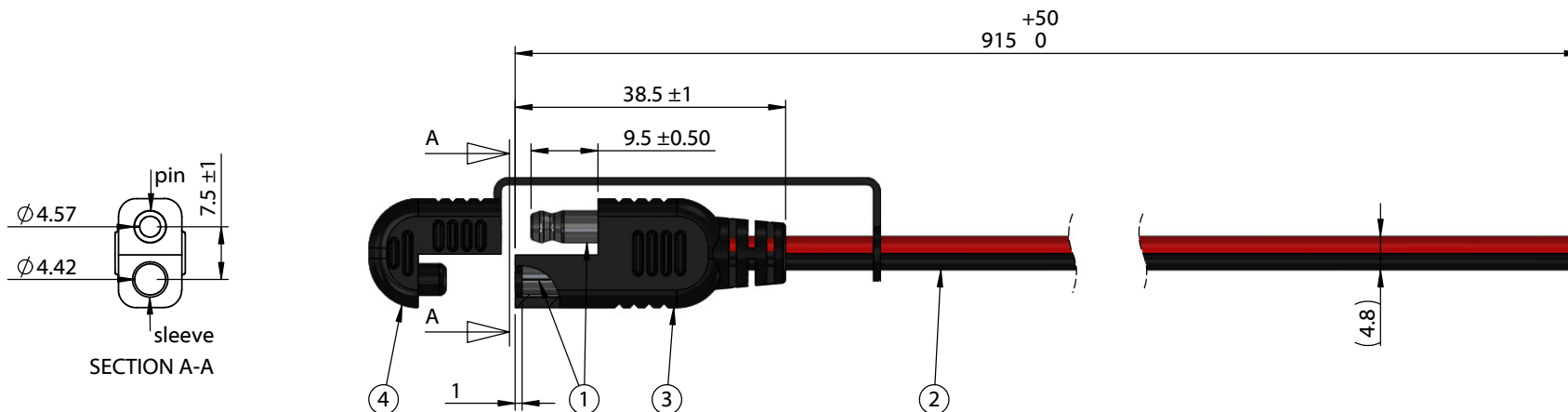


ITEM NO.	PART NUMBER	DESCRIPTION	QTY.	COMPONENT NOTES
1	50-00550	Connector, 4.75x10.2mm SAE, brass tin plated, molding type	1	
2	30-00792	Wire, 2C TS, 16 AWG, UL2651, 300V, 105C, 4.8 mm, VW-1, PVC, red and black	1	
3	24-00176	Overmold, SAE connector	1	PVC, black, 105 °C
4	55-00059	Dust cap, SAE connector, overmold fit	1	PVC, black, 105 °C



**Notes:**  
Functionally equivalent components may be substituted

Wiring Diagram	
50-00550	wire color
pin	red (+)
sleeve	black (-)

Revision:	Date:	Description:	Prepared: <b>PB</b> <small>Digitally signed by PB Date: 2023.05.12 09:42:59 -07'00'</small>	Notes:	<h1>TENSILITY</h1> <p>tel 1.541.323.3228 800 877.670.7118 fax 1.541.323.4202 web tensility.com</p>
A	1/16/2017	Initial release	Verified: <b>AG</b> <small>Digitally signed by AG Date: 2023.05.12 09:58:30 -07'00'</small>	RoHS compliant	
			Dimensions are in millimeters. Tolerances: X: ± 0.5 mm X.X: ± 0.3 mm X.XX: ± 0.05 mm	Function test: no open, no short circuit, no intermittent	
				Description: Cable, 915 mm, 50-00550 SAE to blunt cut, 16 AWG, UL2651, 30-00792, R-B wire, red to SAE pin	
				Size: A	Part number: <b>10-02406</b>
				Scale: 1:1	Sheet 1 of 1

5

4

3

2

1