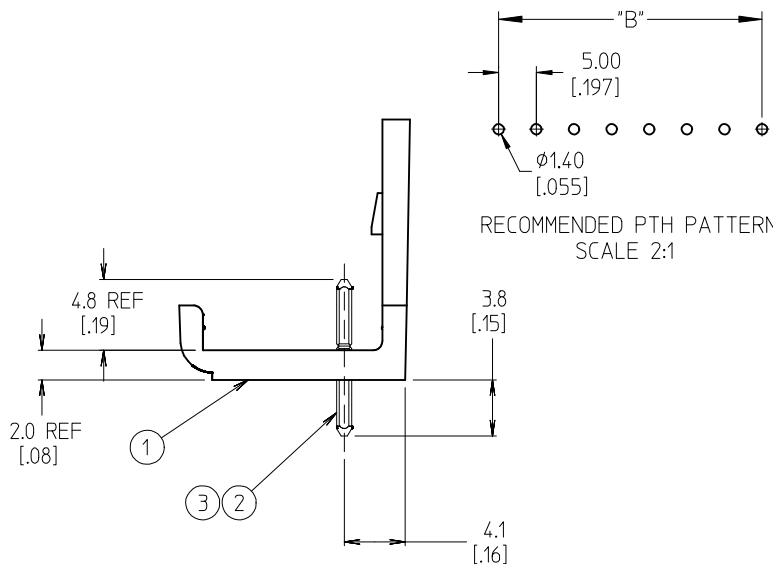


NOTES:

1. MATERIAL: SEE TABLE
2. FINISHES: SEE TABLE
3. PRODUCT SPECIFICATION: PPS.98.002
4. MATES WITH: 99 SERIES PLUG
5. INCH DIMENSIONS ARE SHOWN IN BRACKETS [XXX].
6. "XX" REFERS TO QTY OF CIRCUITS
7. ALL COMPONENTS ARE ROHS COMPLIANT.



ASSEMBLY MATERIAL NO. (STANDARD)	ASSEMBLY MATERIAL NO. (-G30 OPTION)	NUMBER OF CIRCUITS "XX"	DIM. "A"	DIM. "B"	DIM. "C" ±.013
399900402	399910402	02	10.59 [.417]	5.00 [.197]	N/A
399900403	399910403	03	15.60 [.614]	10.00 [.394]	5.00 [.197]
399900404	399910404	04	20.60 [.811]	15.00 [.591]	5.00 [.197]
399900405	399910405	05	25.60 [1.008]	20.00 [.787]	5.00 [.197]
399900406	399910406	06	30.61 [1.205]	25.00 [.984]	10.00 [.394]
399900407	399910407	07	35.61 [1.402]	30.00 [1.181]	10.00 [.394]
399900408	399910408	08	40.61 [1.599]	35.00 [1.378]	15.00 [.591]
399900409	399910409	09	45.62 [1.796]	40.00 [1.575]	15.00 [.591]
399900410	399910410	10	50.62 [1.993]	45.00 [1.772]	20.00 [.787]
399900411	399910411	11	55.63 [2.190]	50.00 [1.968]	20.00 [.787]
399900412	399910412	12	60.63 [2.387]	55.00 [2.165]	25.00 [.984]
399900413	399910413	13	65.63 [2.584]	60.00 [2.362]	25.00 [.984]
399900414	399910414	14	70.64 [2.781]	65.00 [2.559]	30.00 [1.181]
399900415	399910415	15	75.64 [2.978]	70.00 [2.756]	30.00 [1.181]
399900416	399910416	16	80.65 [3.175]	75.00 [2.953]	35.00 [1.378]
399900417	399910417	17	85.65 [3.372]	80.00 [3.150]	35.00 [1.378]
399900418	399910418	18	90.65 [3.569]	85.00 [3.346]	40.00 [1.575]

ITEM	QTY	DESCRIPTION	MATERIAL	FINISH
3	XX	HEADER PIN (-G30 OPTION)	BRASS	GOLD
2	XX	HEADER PIN (STANDARD)	BRASS	TIN
1		MOLDING	NYLON	BLACK

WIDTH WAS .62/IS .60 EC NO: WNA2009-0464 DRW:NYLOR 2009/02/03 CHKD:REROSS 2009/02/05 APPR:REROSS 2009/02/09	QUALITY SYMBOLS ▽=0 ▽=0	GENERAL TOLERANCES (UNLESS SPECIFIED)		DIMENSION STYLE		SCALE	DESIGN UNITS	THIRD ANGLE PROJECTION			
				MM/IN		3:1	INCH				
				mm	INCH	DRAWN BY DATE		TITLE			
				4 PLACES ± --- ± ---		C. YORK 2003/08/12		5.00/.197 SINGLE ROW EUROSTYLE HEADER ASSEMBLY			
		3 PLACES ± --- ± .005		CHECKED BY DATE		MOLEX INCORPORATED DOCUMENT NO. SD-39990-002 SHEET NO. 1 OF 1					
		2 PLACES ± 0.13 ± .01		P. WALTZ 2003/12/04							
		1 PLACE ± 0.3 ± ---		APPROVED BY DATE							
				G. ROBERTSON 2003/12/08							
				MATERIAL NO.							
				DRAFT WHERE APPLICABLE MUST REMAIN WITHIN DIMENSIONS		SEE CHART					
				SIZE B							