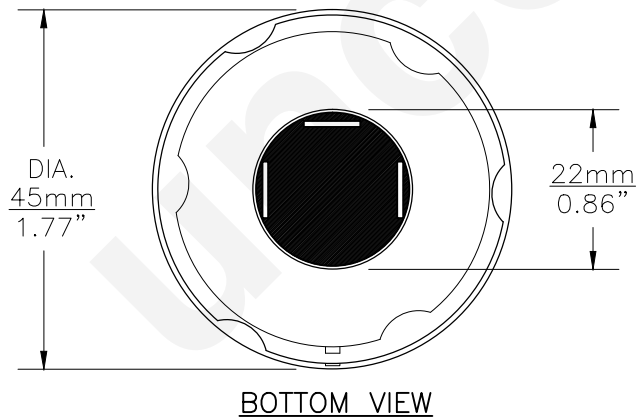
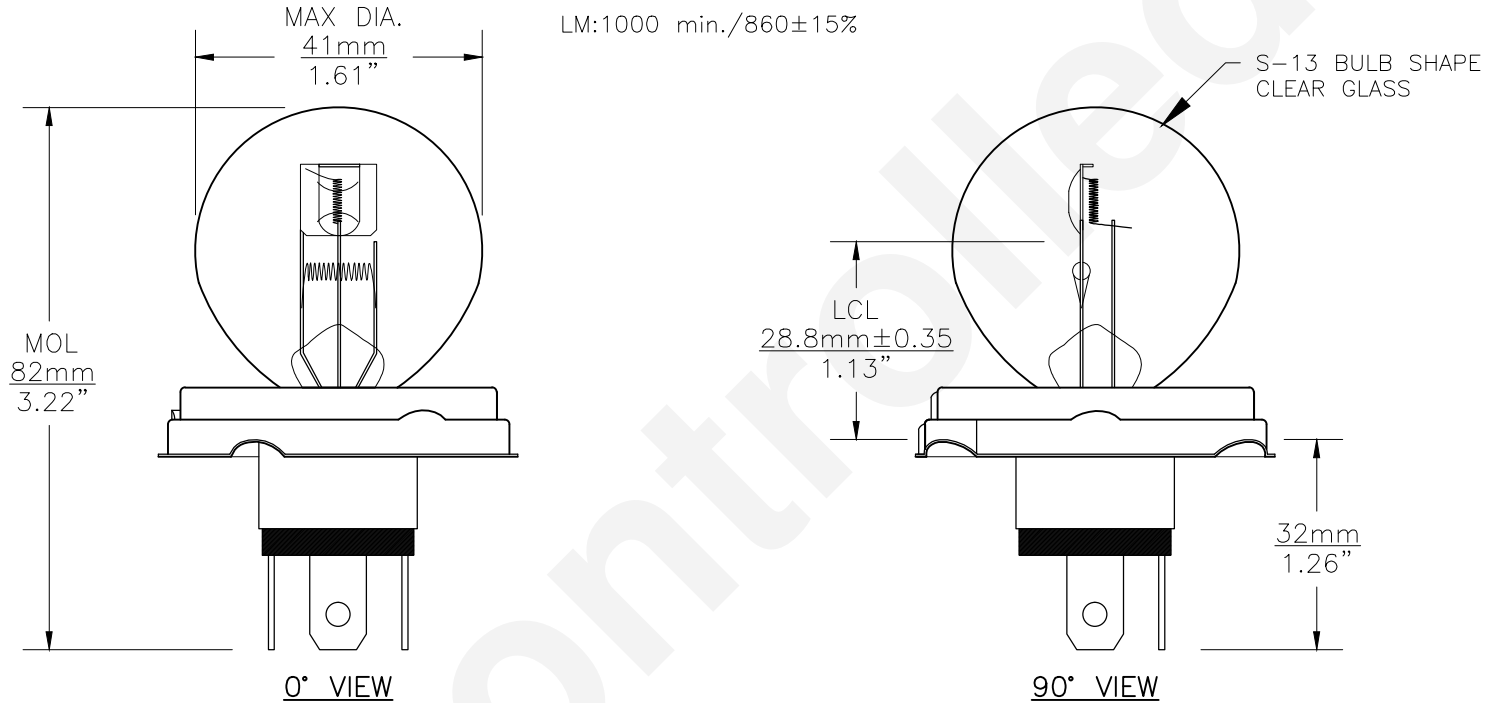




PART NO.	BASE TYPE	DESIGN VOLTS	DESIGN WATTS	FILAMENT TYPE	AVERAGE LIFE HOURS
7952	P45t	28.0V 28.0V	76W 69W	C-8H C-6	65 high 110 low

REVISIONS			
REV #	DESCRIPTION	DATE	APPROVED
1	ISSUED	01/22/2019	R.M.



UNLESS OTHERWISE SPECIFIED: DIMENSIONS ARE IN INCHES TOLERANCES		CEC INDUSTRIES LTD	
DECIMALS	ANGULAR	599 BOND STREET LINDOLNSHIRE, IL 60069	
.XX ± .05	± 0.5°	TITLE LIGHT BULB NO. 7952	
.XXX ± .010		SIZE A	REV 1
FRACTIONAL	± 1/64	FSCM NO.	DWG NO. 7952
DRAWN ROSE MEDINA	DATE 01/22/2019	SCALE	SHEET 1 OF 1
CHECKED		PLOT SCALE	
DESIGN		FILE 7952.pdf	DRAWING NOT TO SCALE
MATERIAL			