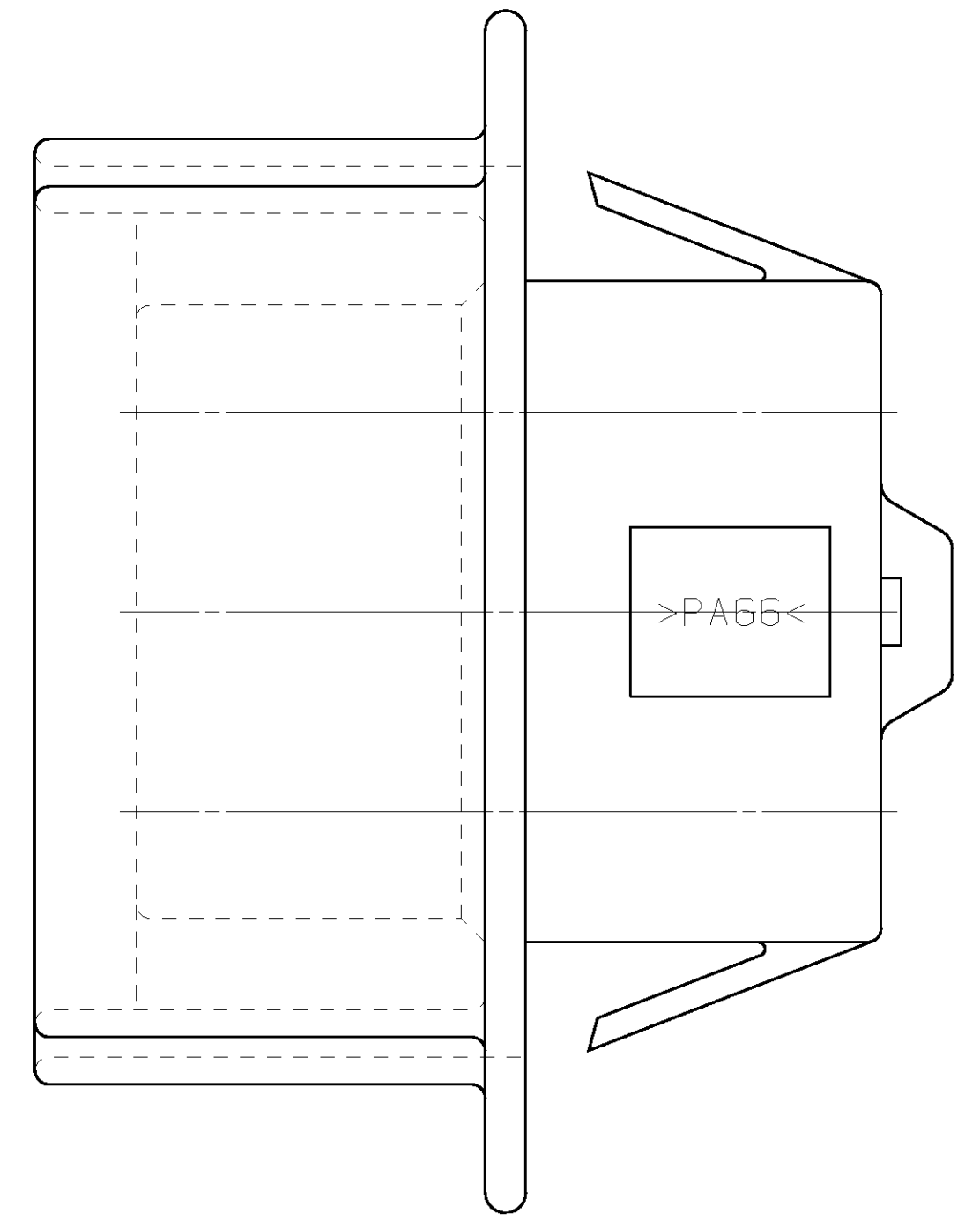
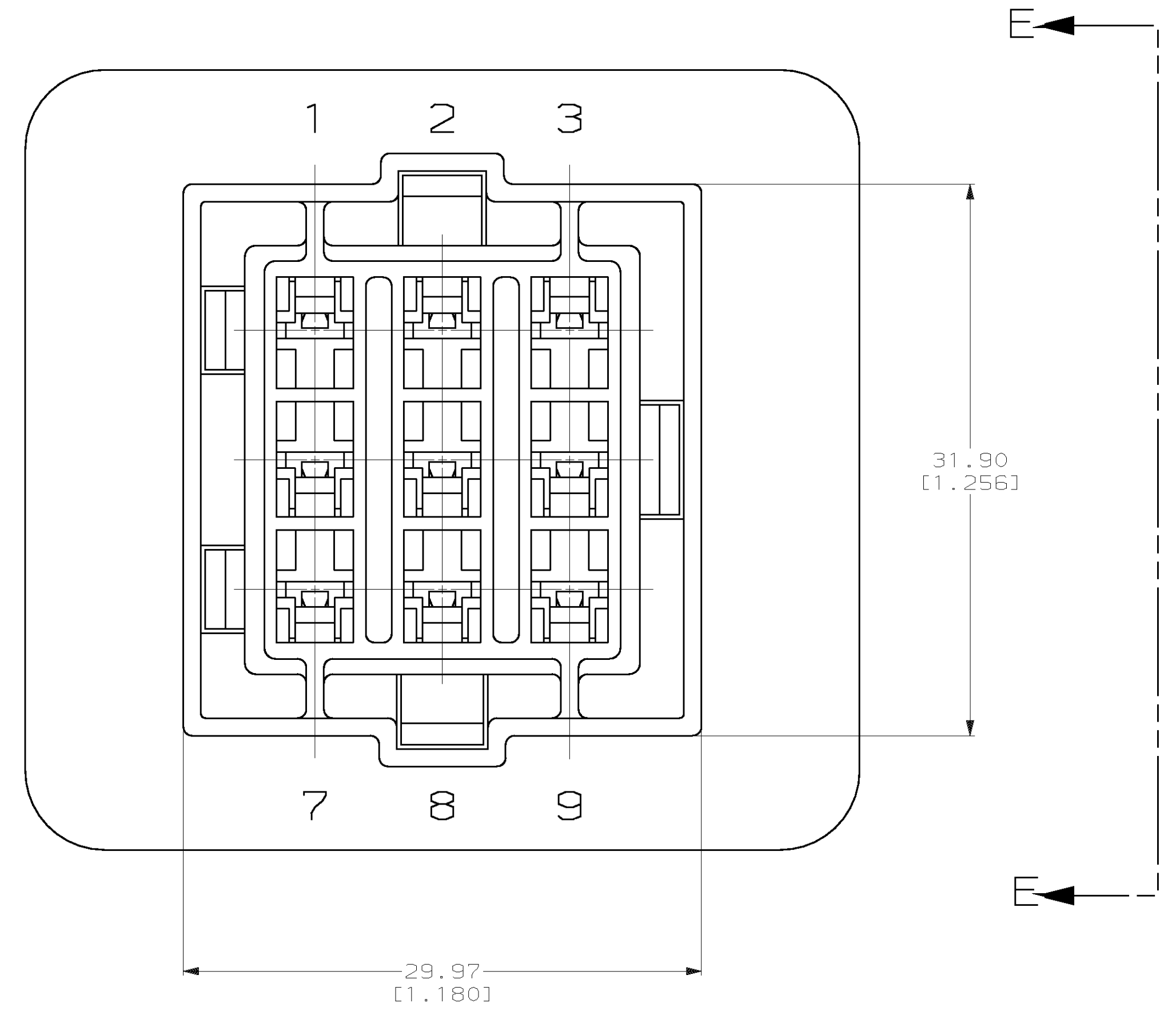
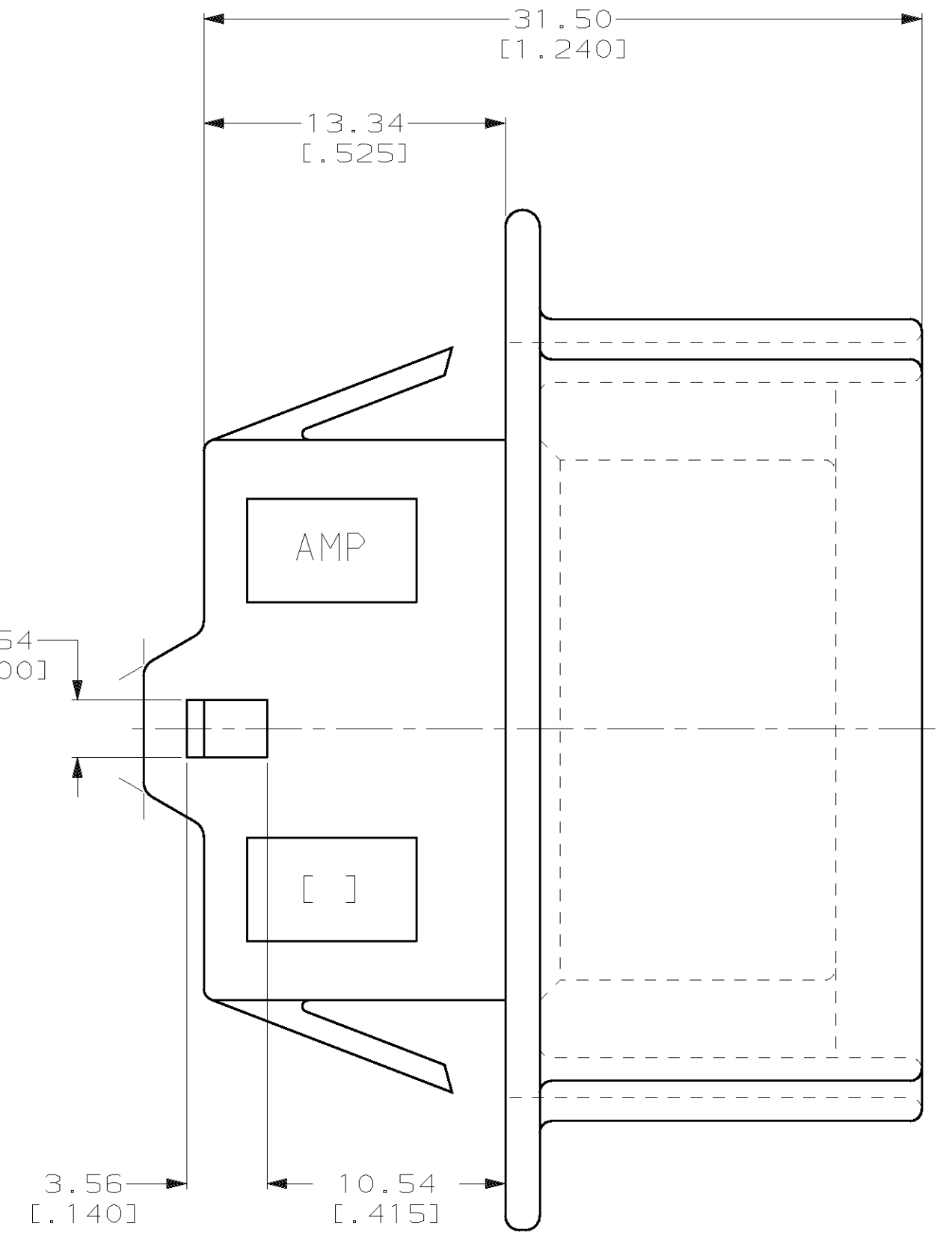
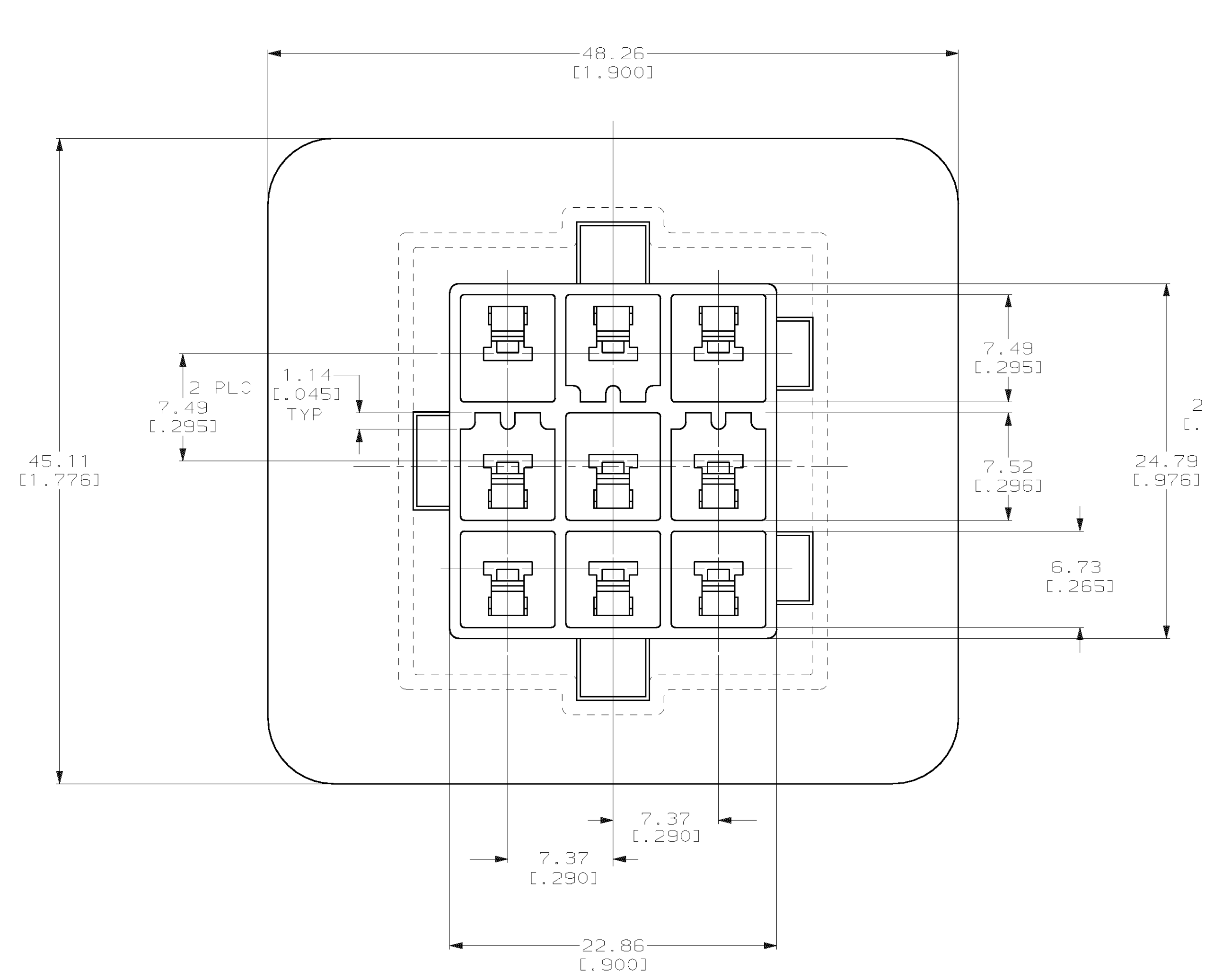


LOC		DIST		P		F		ZONE		LTR		REVISIONS		DATE	APPD
AF	50												REVISED PER 061A-0073-98	24/MAR/98	PF/DD



VIEW E-E

- 1 PART ACCEPTS .125 BLADE CONTACT PART NO 63627-1, 63870-1 AND 63871-1.
- 2 PART MATES WITH .125 BLADE PLUG HOUSING PART NO 521076-1.
- 3 THIS MATERIAL HAS A 125°C ELECTRICAL TEMPERATURE INDEX RATING BY UL AND A UL 94 V-2 FLAMMABILITY RATING.

521075-1
PART NO

DO NOT SCALE PRINT. UNLESS SPECIFIED DIMENSIONS IN mm [INCHES]		DR 17/SEP/97 PHILLIP M FORTNEY		AMP Incorporated Harrisburg, PA 17105-3508	
TOLERANCES ON:		CHK 17/SEP/97 JEFF RUTH			
2 PLC DEC ± 0.25 (.010)		APPD 17/SEP/97 DON DECKER		NAME	
3 PLC DEC ± -		APPD 17/SEP/97 SUE WRIGHT		CAP, 9 CIRCUIT, 3.18 [.125] BLADE	
ANGLES ± -		PRODUCT SPEC		SIZE	
MATERIAL		APPLICATION SPEC		CAGE CODE	
6/6 NYLON		-		D 00779	
FINISH		WEIGHT		DRAWING NO	
COLOR-BLACK		-		C-521075	
		SCALE 4:1		SHEET 1 OF 1	

THIS DRAWING IS A CONTROLLED DOCUMENT FOR AMP INCORPORATED. IT IS SUBJECT TO CHANGE AND THE CONTROLLING ENGINEERING ORGANIZATION SHOULD BE CONTACTED FOR THE LATEST REVISION.