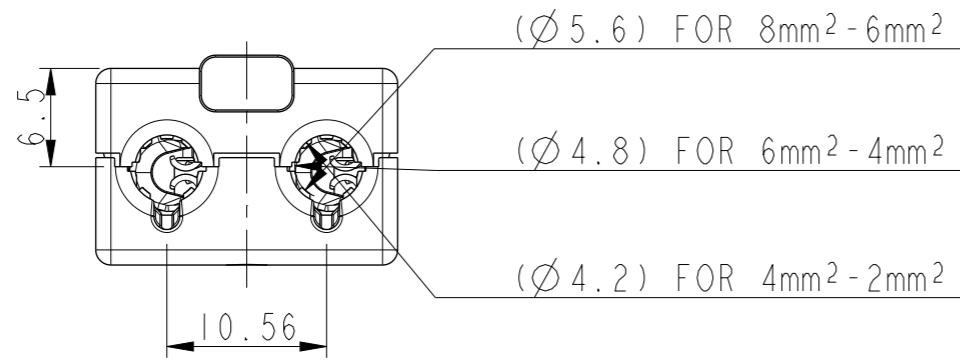


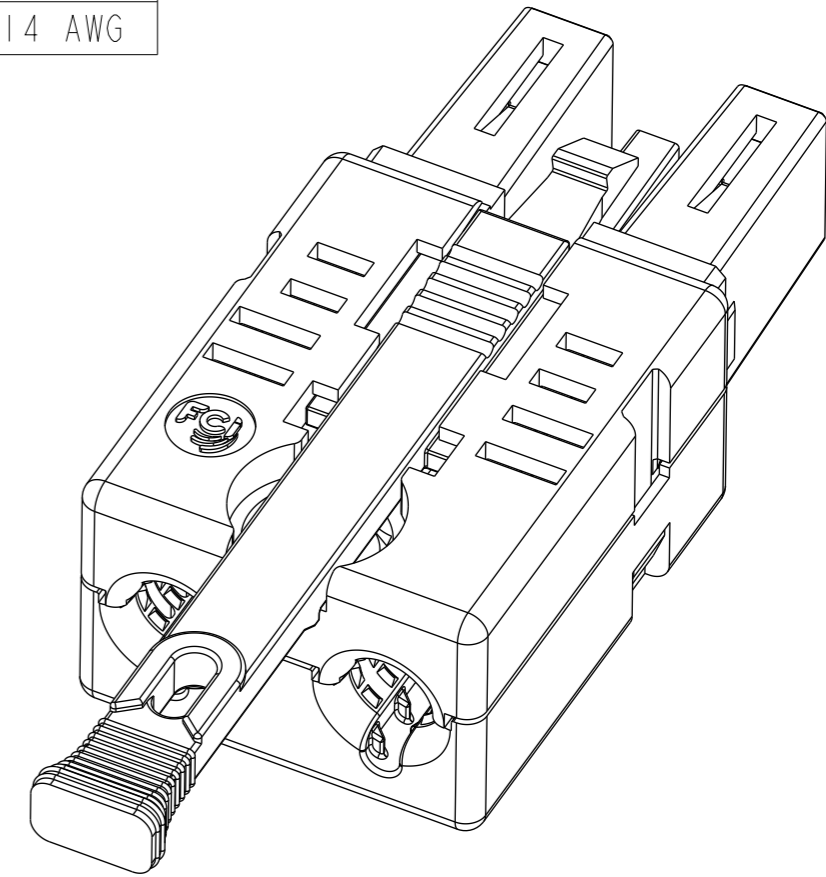
NO.	COMPONENT NAME	CABLE VERSION		6mm <sup>2</sup> - 4mm <sup>2</sup>	4mm <sup>2</sup> - 2mm <sup>2</sup>	6mm <sup>2</sup> - 4mm <sup>2</sup>	4mm <sup>2</sup> - 2mm <sup>2</sup>	8mm <sup>2</sup> - 6mm <sup>2</sup>	8mm <sup>2</sup> - 6mm <sup>2</sup>	QTY
		PART NUMBER: 10089865		-101LF	-102LF	-103LF	-104LF	-105LF	-106LF	
6	FRONT HOUSING			○	○	○	○	○	○	1
5	JUMPER CONTACT			○	○	X	X	○	X	1
4	RECEPTACLE CONTACT			○	○	○	○	○	○	2
3	SCREW			○	○	○	○	○	○	1
2	BOTTOM COVER			○	○	○	○	○	○	1
1	TOP COVER ASSEMBLY	LATCH SLIDE		○	○	○	○	○	○	1
		NUT HEXAGON		○	○	○	○	○	○	1
		TOP COVER		○	○	○	○	○	○	1
REMARK: "O" REFERS TO BE USED, AND "X" REFERS TO BE NOT USED										

RECOMMENDED CABLE SPECIFICATION		
8mm <sup>2</sup> - 6mm <sup>2</sup>	6mm <sup>2</sup> - 4mm <sup>2</sup>	4mm <sup>2</sup> - 2mm <sup>2</sup>
8-10 AWG	10-12 AWG	12-14 AWG

TOLERANCES UNLESS OTHERWISE SPECIFIED			tolerance std	material	dr	NICK ZHANG	2019-05-07	projection	mm	size	A3	scale	2:1
linear	x.	±	ISO 406 ISO 1101	mat code	eng	NICK ZHANG	2019-05-07			ecn no	EXL-N-33440	rel level	RELEASED
	0.X	±0.3		heattreat	chr	SINY HU	2019-05-07						
	0.XX	±0.15	surface	plating/finish	appr	TIM YAO	2019-05-07	product family		dwg no	10089865C	rev	G
	0.XXX	±0.05		spec ref	-	<b>Amphenol FCI</b>		STRAIGHT CC ASSEMBLY KIT POWER PROFILE PLUS, CABLE CONN.					
0.XXXX	±	ISO 1302	model name	10089865	cat. no.	CUSTOMER		sheet 1 of 2					
0°	±2°		model revision										

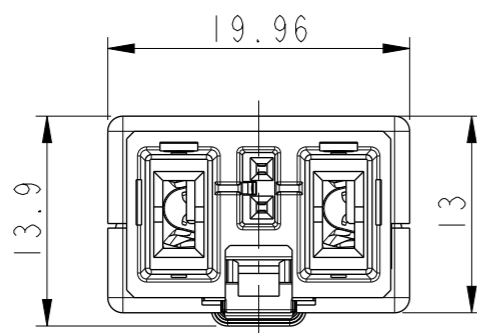
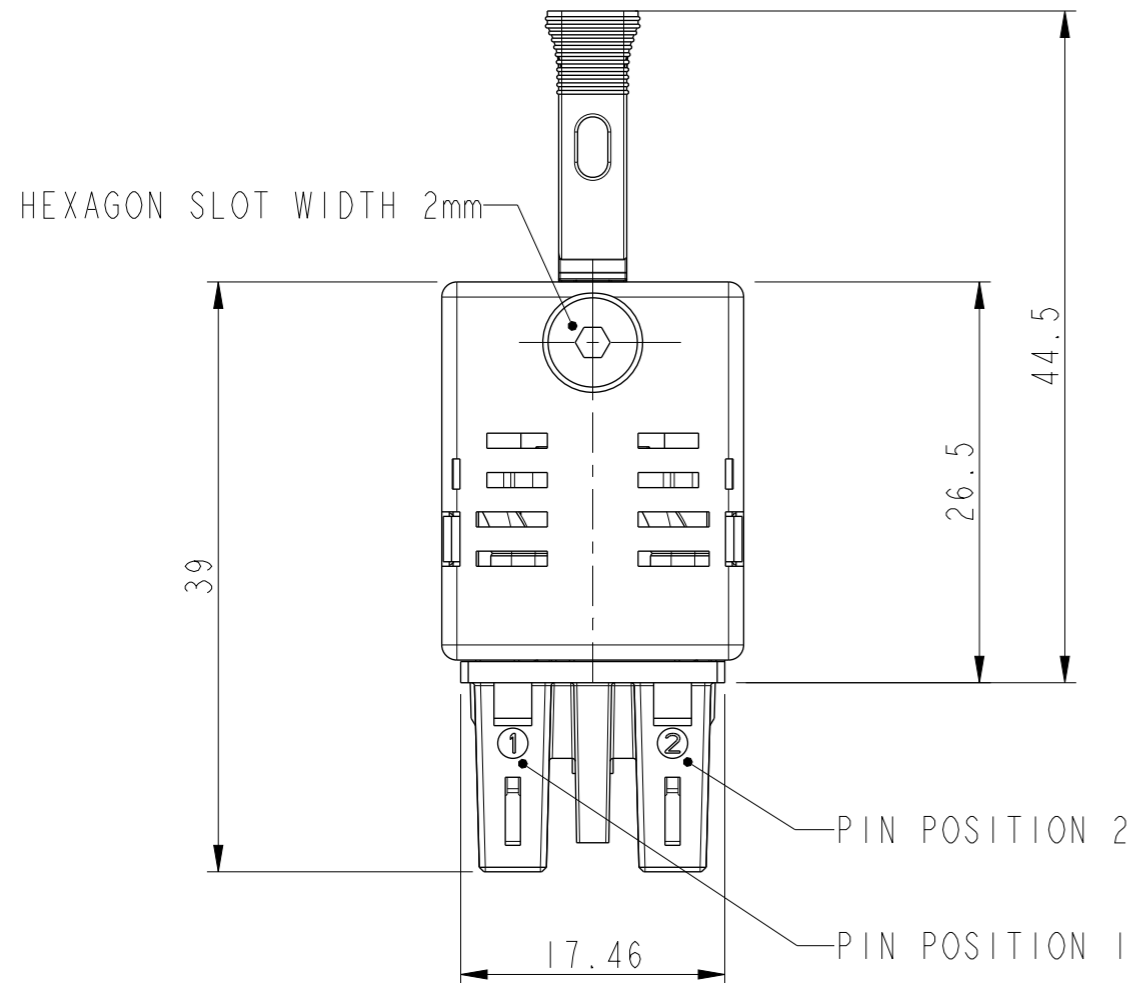


RECOMMENDED CABLE SPECIFICATION		
8mm <sup>2</sup> - 6mm <sup>2</sup>	6mm <sup>2</sup> - 4mm <sup>2</sup>	4mm <sup>2</sup> - 2mm <sup>2</sup>
8-10 AWG	10-12 AWG	12-14 AWG



SCALE 3:1

- NOTES:
1. PRODUCT SPECIFICATION: GS-12-594
  2. APPLICATION SPECIFICATION: GS-20-116
  3. PACKAGING SPECIFICATION: GS-14-1307
  4. FLAMMABILITY CLASS: UL94-V0
  5. RoHS COMPLIANT



tolerance std	material	dr	NICK ZHANG	2019-05-07	projection	mm	size	A3	scale	2:1					
	mat code	eng	NICK ZHANG	2019-05-07			ecn no	EXL-N-33440							
ISO 406	heattreat	chr	SINY HU	2019-05-07	product family	← →	rel level	RELEASED							
ISO 1101	plating/finish	appr	TIM YAO	2019-05-07			surface	✓	spec ref	-	Amphenol FCi	title	STRAIGHT CC ASSEMBLY KIT	dwg no	10089865C
ISO 1302	model name	10089865		POWER PROFILE PLUS, CABLE CONN.		cat. no.	CUSTOMER		sheet 2 of 2						