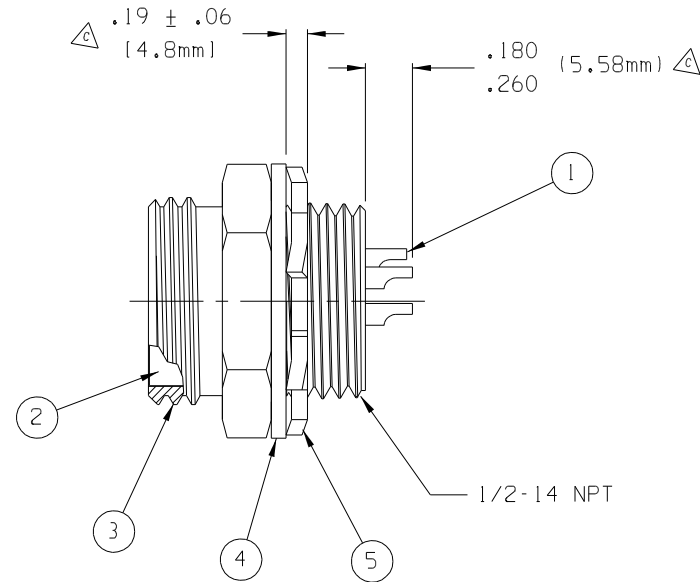
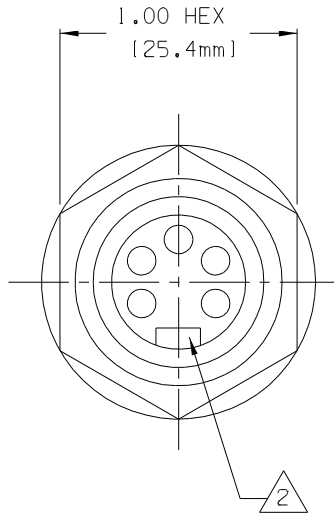


SUPERSEDES DWG. 48549101.599

ITEM	DESCRIPTION	MATERIAL/FINISH	QTY
1	CONTACT, PIN	GOLD PLATED COPPER ALLOY	5
2	INSULATOR, MALE	GRAY PVC	1
3	SHELL, EXTERNAL THREADS	ALUMINUM/BLACK ANODIZE	1
4	GASKET	NEOPRENE	1
5	LOCKNUT, 1/2-14	STEEL, PLATED	1



2 MATING KEY CENTER TO BE ORIENTATED WITH POINT OF HEXNUT AS SHOWN WITHIN 10°  
 1 RECOMMENDED MOUNTING HOLE SIZE .875"/.844" DIAMETER.

NOTES: (UNLESS OTHERWISE SPECIFIED)

EC NO. ECO 11179 DRW: R. STONE CHK: APPR:		QUALITY SYMBOLS MAJOR CRITICAL SPC	GENERAL TOLERANCES: (UNLESS SPECIFIED) mm INCH 4 PLACES ±.0005 3 PLACES ±.005 2 PLACES ±.01 1 PLACE ±.1	SCALE 1:1 DESIGN UNITS <input type="checkbox"/> mm <input checked="" type="checkbox"/> INCH DRAWN BY & DATE R. STONE 12-17-01 CHECKED BY & DATE APPROVED BY & DATE	PROJECT NO. DIMENSIONS: <input type="checkbox"/> mm <input checked="" type="checkbox"/> INCH <input type="checkbox"/> mm ONLY <input type="checkbox"/> INCH ONLY SHT REV REVISE ON CAD ONLY
C		DESCRIPTION	ANGULAR: ±2° DRAFT WHERE APPLICABLE MUST REMAIN WITHIN DIMENSIONS	CAD FILENAME SD-84854-9101	TITLE: MALE RECEPTACLE, BULKHEAD, 5/C W/MALE SOLDER CUP CONTACTS MOLEX INCORPORATED GILFORD, NH, 03246
		REV	THIS DRAWING CONTAINS INFORMATION THAT IS PROPRIETARY TO MOLEX INCORPORATED AND SHOULD NOT BE USED WITHOUT WRITTEN PERMISSION.		MATERIAL NO. 84854-9101 DRAWING NO. SD-84854-9101 SHEET NO. 1 OF 1 SIZE B