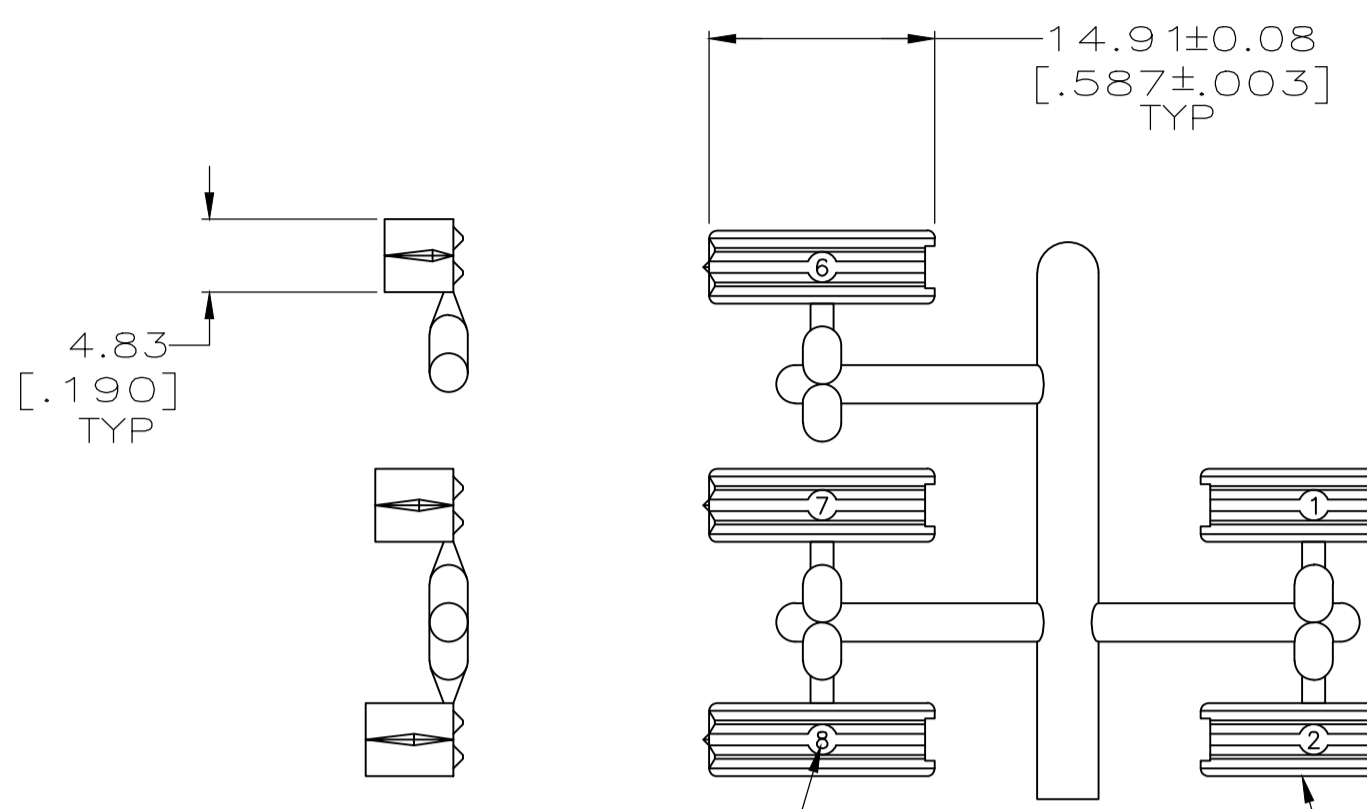
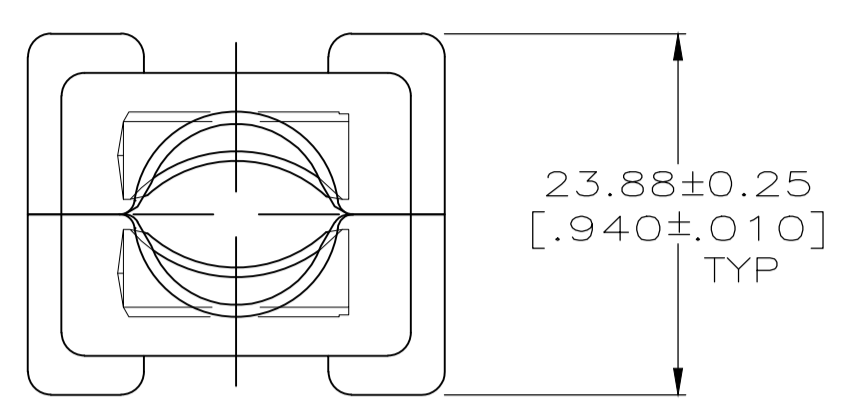
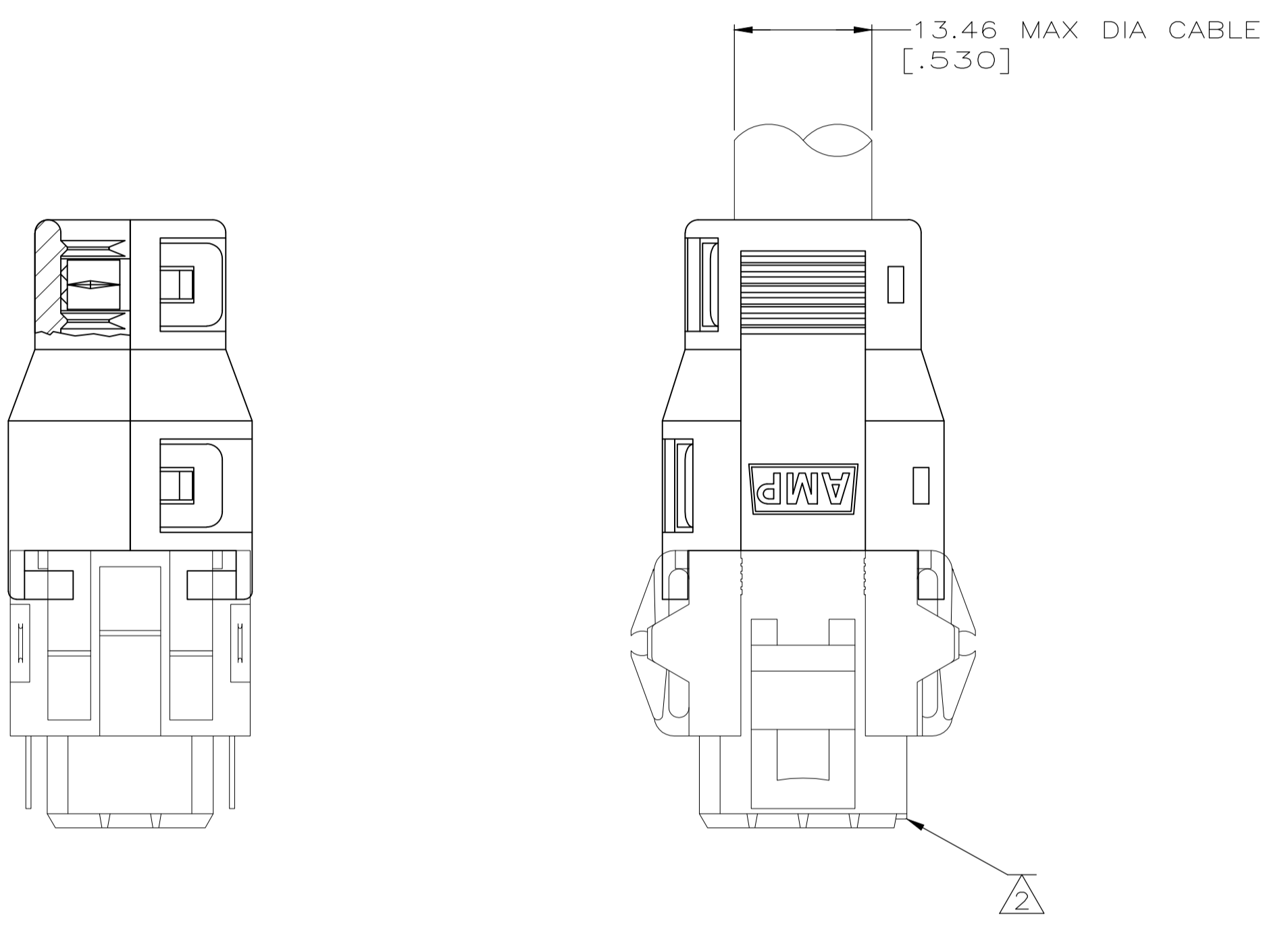
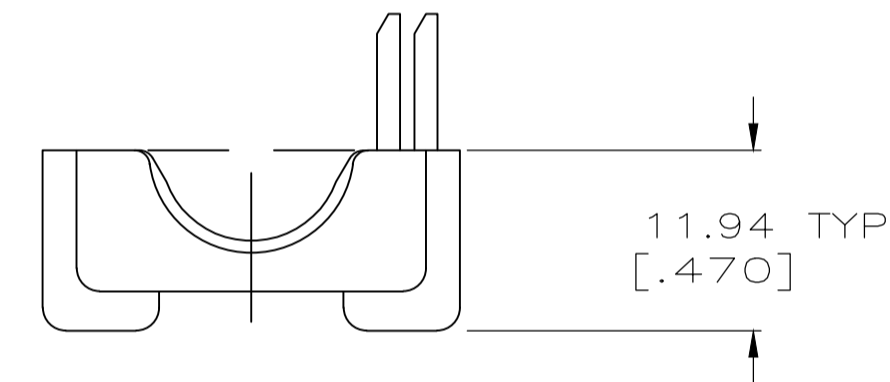


REVISIONS					
P	LTR	DESCRIPTION	DATE	DMN	APVD
E		REVISED PER ECO-20-002047	20FEB2020	RK	MZ

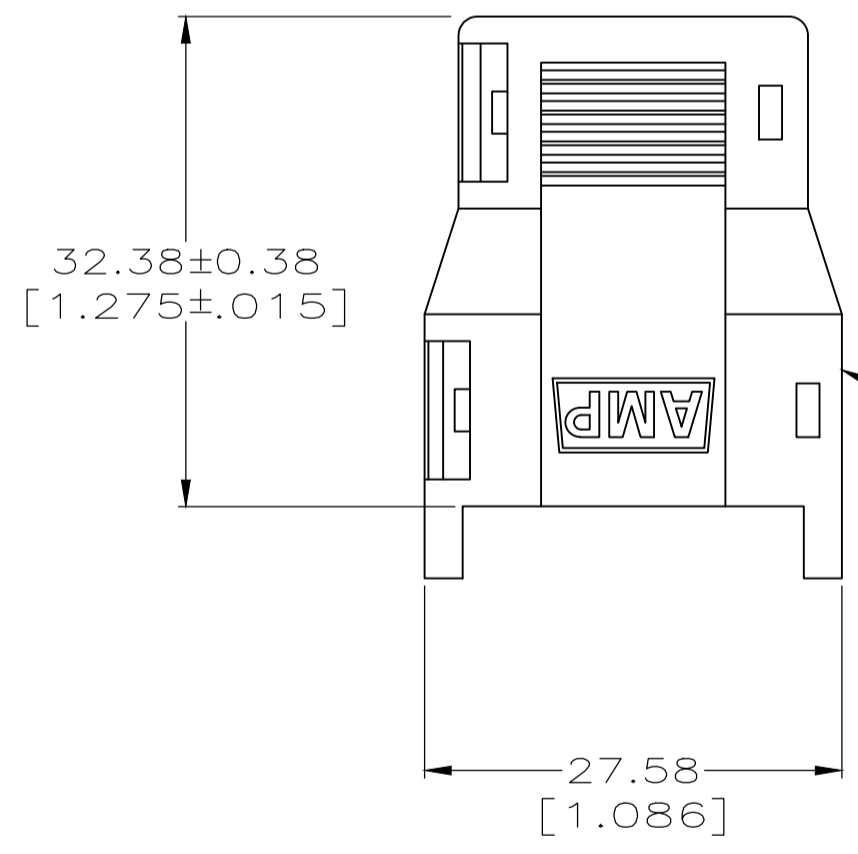
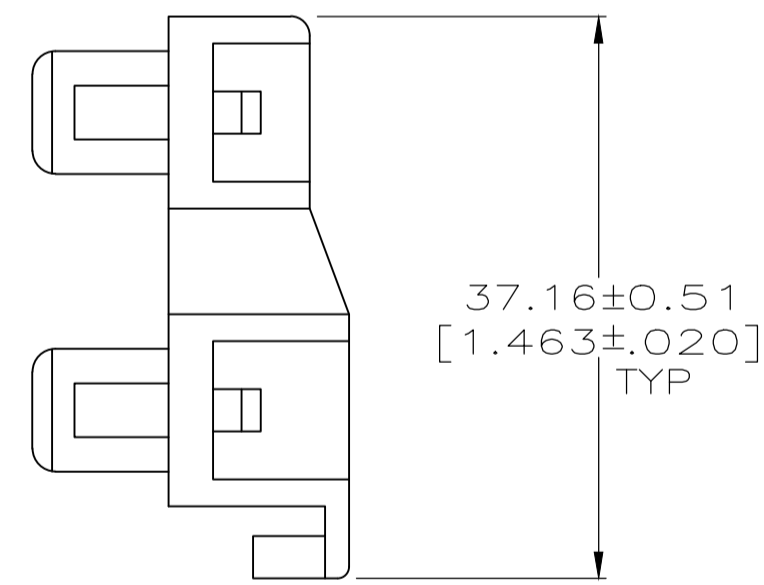


CABLE GATE NO
8 PLC

CABLE GATE, SUPPLIED ON CLUSTER AS SHOWN,



ASSEMBLED VIEW



HOUSING, STRAIN RELIEF
2 EA

- ⚠ A VARIETY OF CABLE GATES ARE PROVIDED TO ACCOMMODATE A VARIETY OF CUSTOMER CABLE SIZES.
- ⚠ PLUG SHOWN FOR REFERENCE ONLY. STRAIN RELIEF CAN BE USED ON EITHER PLUG OR RECEPTACLE.
- ⚠ HOUSING MATERIAL: PA66, BLACK, UL 94 V-0 RATED.

207602-1
PART NUMBER

THIS DRAWING IS A CONTROLLED DOCUMENT.		DIN J McCLINTON 1-27-92		TE Connectivity	
DIMENSIONS: INCHES		CHK R STONE 1-29-92		APVD	
TOLERANCES UNLESS OTHERWISE SPECIFIED:		PRODUCT SPEC		NAME	
0 PLC ± -	1 PLC ± -	108-10033		STRAIN RELIEF KIT, UNASSEMBLED, 12 POSITION, METRIMATE	
2 PLC ± ± 0.13[.005]	3 PLC ± ± -	APPLICATION SPEC		SIZE	
4 PLC ± ± -	ANGLES ± ± -	WEIGHT		CAGE CODE DRAWING NO	
MATERIAL	FINISH	A1 00779		C=207602	
CUSTOMER DRAWING		SCALE 2:1		SHEET 1 OF 1	