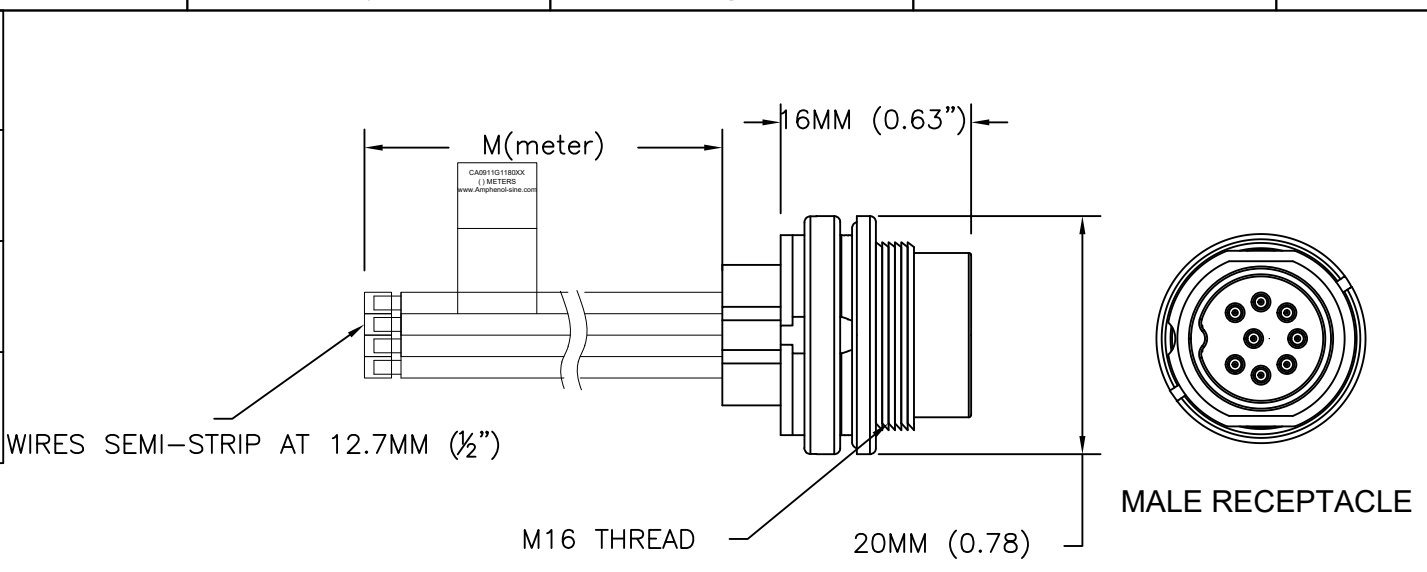


PART NUMBER	LENGTH (METERS)
CA0911G118003	0.3M (0.98 FEET)
CA0911G118005	0.5M (1.64 FEET)
CA0911G118010	1M (3.28 FEET)

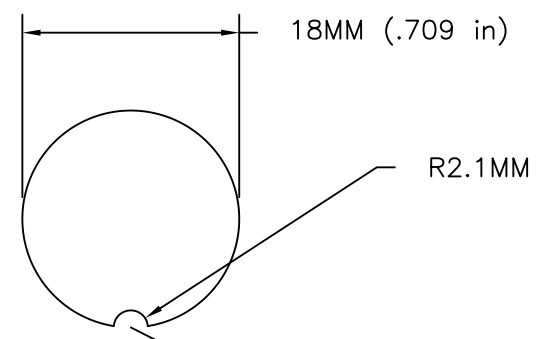


REVISIONS						
REV	ZONE	ECO	DESCRIPTION	DATE	BY	APPR
A1	-	-	TECHNICAL DATA SHEET RELEASE	20-JULY-17	RO	-

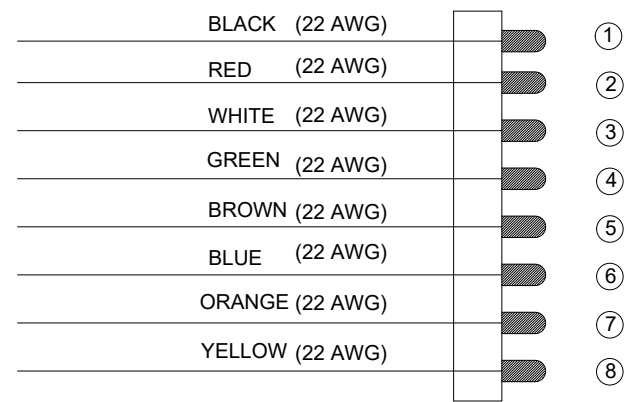
CAN BE USED WITH MATING FEMALE CABLE # CA0911B800801012

CONTACT YOUR DISTRIBUTOR FOR OTHER MATING OPTIONS

INSTALLATION NOTES & PANEL CUTOUT



WIRING DIAGRAM



- 1) MATERIALS:  
 COUPLING NUT: ZINC DIE CAST  
 INSULATION INSERT: THERMOPLASTIC  
 CONTACT: SILVER PLATED  
 WIRE RATING: 22 AWG, UL STYLE 1569 300V 105°C (AWM), CSA TYPE TR-64 300V 90°C, UL VW-1 FLAME TEST  
 CABLE JACKET MATERIAL: PVC  
 NUMBER OF CONDUCTORS: (8) 22AWG
- 2) CONNECTOR ELECTRICAL DATA:  
 CURRENT (MAX): 7A AT 40°C  
 VOLTAGE (MAX): 300V AC/DC  
 INSULATION RESISTANCE: 100M OHMS PER IEC 60512-3-1  
 RATED IMPULSE WITHSTAND VOLTAGE: 1200V
- 3) CONNECTOR MECHANICAL DATA:  
 TEMPERATURE RANGE: -25°C TO +100°C  
 PROTECTION: IP67/IP68 (PER MATED CONDITION)  
 MATING CYCLES: >500
- 4) RoHS COMPLIANT

QUANTITY	PART NUMBER	DESCRIPTION	ITEM															
<b>MATERIALS LIST</b>																		
UNLESS OTHERWISE SPECIFIED 1) All dimensions are in metric (mm). 2) Tolerances are as follows: 1 PL DEC ±0.30   Fractions ±1/64 2 PL DEC ±0.15   Angles ±1° 3 PL DEC ±0.08 3) Note reference =		<table border="1"> <tr> <th colspan="2">SIGNATURES</th> <th>DATE</th> </tr> <tr> <td>DRAWN:</td> <td>RO</td> <td>6-JUNE-17</td> </tr> <tr> <td>CHECKED:</td> <td>AA</td> <td>8-JUNE-17</td> </tr> <tr> <td>ENGINEER:</td> <td>RO</td> <td></td> </tr> <tr> <td>APPROVAL:</td> <td>WS</td> <td>13-JUNE-17</td> </tr> </table>		SIGNATURES		DATE	DRAWN:	RO	6-JUNE-17	CHECKED:	AA	8-JUNE-17	ENGINEER:	RO		APPROVAL:	WS	13-JUNE-17
SIGNATURES		DATE																
DRAWN:	RO	6-JUNE-17																
CHECKED:	AA	8-JUNE-17																
ENGINEER:	RO																	
APPROVAL:	WS	13-JUNE-17																
MATERIAL SPECIFICATIONS:		<div style="text-align: center; font-size: 2em; font-weight: bold;">Amphenol</div> <p>Sine Systems - www.amphenol-sine.com            44724 Morley Drive            Clinton Township, MI 48036</p> <p><b>C091 (M16) POS MALE RECEPTACLE 22AWG 8C LEADS, UL1569 300V</b></p>																
PROCESS SPECIFICATIONS: IPC-WHMA-A-620																		
NEXT ASSY:		<table border="1"> <tr> <th>SIZE</th> <th>TYPE</th> <th>DWG NO:</th> <th>REVISION</th> </tr> <tr> <td>SCALE: HALF</td> <td>C-</td> <td>CA0911G1180XX</td> <td>A1</td> </tr> </table>	SIZE	TYPE	DWG NO:	REVISION	SCALE: HALF	C-	CA0911G1180XX	A1	<table border="1"> <tr> <th>SHEET</th> <th>1</th> <th>OF</th> <th>1</th> </tr> </table>	SHEET	1	OF	1			
SIZE	TYPE	DWG NO:	REVISION															
SCALE: HALF	C-	CA0911G1180XX	A1															
SHEET	1	OF	1															

