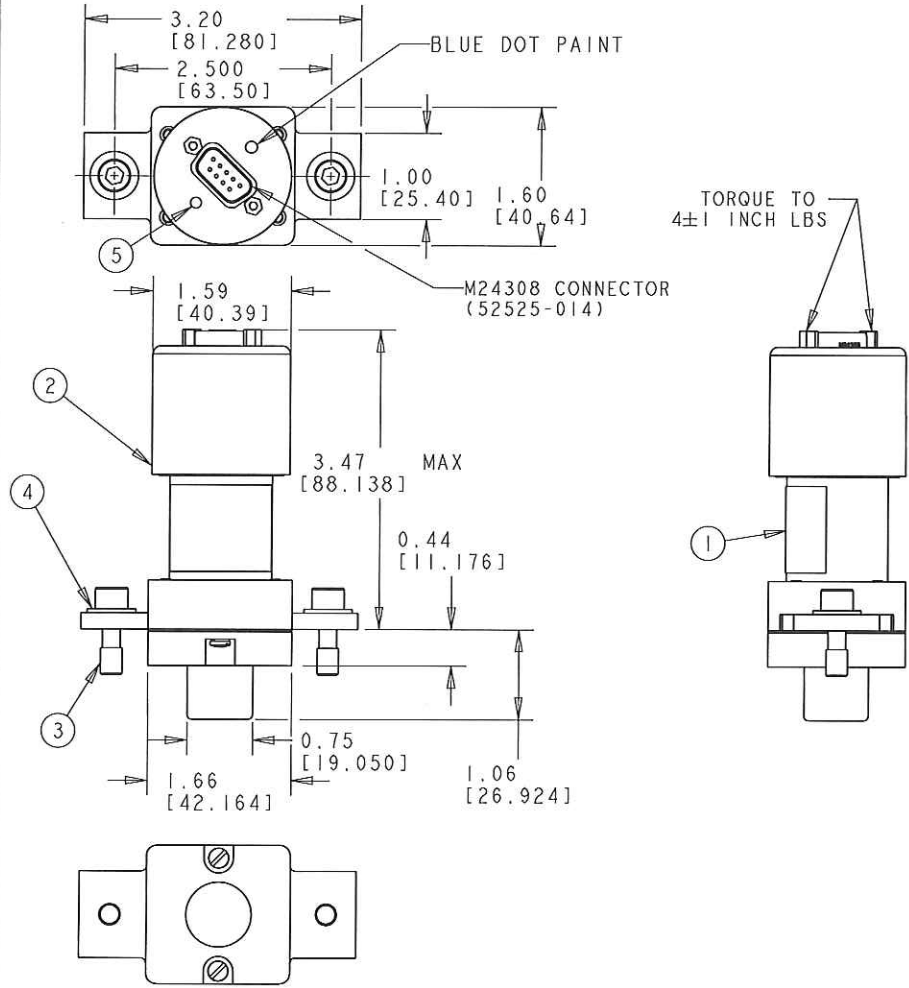


USED ON

DWG NO 7-1616946-0
THIS DRAWING IS A CONTROLLED DOCUMENT



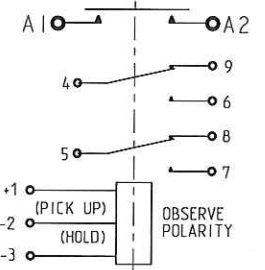
CONSTRUCTION
MAIN CONTACTS
 CONFIGURATION SPST N.O (DOUBLE BREAK)
 VOLTAGE (NOMINAL) 28VDC
 CURRENT 500 AMPS
 RESISTIVE RUPTURE 4000 AMPS
 OVERLOAD 750 AMPS 5 MIN 1000 AMPS 5 SEC
 VOLTAGE DROP 100 mV MAX AT 500 AMPS

AUXILIARY CONTACTS
 CONFIGURATION 2 SPDT
 VOLTAGE 28VDC
 CURRENT 7 AMP MAX CONTACT (5,8)
 RESISTIVE 1 mA MIN CONTACTS (4,6), (4,9)
 LOW LEVEL AND (5,7) - SEE NOTE 2

COIL DATA
 DUTY CYCLE CONTINUOUS
 NOM. OPERATE VOTAGE 28VDC
 MAX. PICKUP VOTAGE 18VDC MAX 85°C
 DROPOUT VOTAGE 10VDC MAX 120°C
 COIL CURRENT:
 INRUSH 7.8 AMPS MAX AT 32 VDC @ -55°C
 HOLD 272mA MAX AT 32 VDC @ -55°C
 OPERATE TIME .045 SEC MAX AT 18 VDC @ 85°C
 RELEASE TIME .025 SEC MAX AT 32 VDC

ENVIRONMENTAL DATA
 TEMPERATURE -55°C TO 85°C (WITH TRANSIENTS TO 120°C)
 ALTITUDE 51,000 FEET

LIFE ELECTRICAL 50,000 CYCLES MIN.
LIFE MECHANICAL 100,000 CYCLES MIN.
WEIGHT, MAX. .85 LBS. (0.39Kg)



- NOTES:**
1. AUX. CONTACTS GOLD PLATED.
 2. LOW LEVEL RATING NOT APPLICABLE AFTER APPLICATION OF CURRENT GREATER THAN 125 mA.
 3. REF. GOODRICH EQUIP. SPEC 15-200098 FOR OTHER PARAMETERS.
 4. REF. PRACTICAL WIRING DIAGRAM (DWG NO. TO BE ASSIGNED)
 5. CONTACTOR MEETS MATERIAL AND WORKMANSHIP REQUIREMENTS OF MIL-PRF-6106L.
 6. VIBRATION LEVEL (CAT S, SECTION 8 OF RTCA D0160D)-AMPLIFICATION FACTOR TBD.
 7. ACCELERATION LEVEL (CAT B, SECTION 7 OF RTCA D0160D)
 8. PICKUP MUST BE LIMITED TO 150ms ACROSS PINS 1 & 2.

| | | | | | | |
|---|---|-----------|----------------------------|--|--|-------------|
| 5 | 1 | 57200-057 | YELLOW DOT | | | 1-1616374-8 |
| 4 | 2 | 51807-430 | WASHER, BELLEVILLE 1/4 | | | 6-1616949-6 |
| 3 | 2 | 47362-001 | SOCKET CAP TERMINAL SCREW | | | 7-1616922-4 |
| 2 | 1 | 48095-030 | CONTACTOR ASSEMBLY PRIMARY | | | 2-1616922-9 |
| 1 | 1 | 47363-001 | NAME PLATE | | | 1-1616992-6 |

| D | UPDATED BOM AND BALLOONS | 4/13/2016 | RSS | RS |
|-----|------------------------------|-----------|-----|------|
| C | ITEM 5 ADDED TO BOM, REDRAWN | 01MAR2016 | MR | RS |
| B | ITEM 4 WAS 51807-340 | 17OCT2005 | CB | RS |
| LTR | REVISION RECORD | DATE | DWN | APVD |

CAGE CODE: 76043
 175 N. BIRMGHAM STREET MANSFIELD, OHIO 44902

HORIMAN

DIMENSIONS: INCHES [mm]

TOLERANCES UNLESS OTHERWISE SPECIFIED:

| | |
|-------|--------|
| 0 PLC | ± |
| 1 PLC | ± |
| 2 PLC | ±0.02 |
| 3 PLC | ±0.005 |
| 4 PLC | ± |

ANGLES: ±

SURFACE TEXTURE: ✓

| | | | |
|---------------------------------------------|-----------|----------------------------|--------------------|
| DWN | 01MAR2016 | MATERIAL | HEAT TREAT |
| MR | 01MAR2016 | | |
| CHK | 01MAR2016 | | |
| RV | 01MAR2016 | | |
| APVD | 01MAR2016 | STE TE Connectivity | |
| RS | | | |
| NAME CONTACTOR SPST N.O. DB 500 AMP, 28 VDC | | | |
| K-500B4B01 | | | |
| SCALE | SIZE A3 | DRAWING NO 7-1616946-0 | SHEET 1 OF 1 REV D |

THIS INFORMATION IS CONFIDENTIAL AND PROPRIETARY TO TICO ELECTRONICS CORPORATION AND ITS WORLDWIDE SUBSIDIARIES AND AFFILIATES (T.E.). IT MAY NOT BE DISCLOSED TO ANYONE OTHER THAN T.E. PERSONNEL, WITHOUT AUTHORIZATION FROM T.E. (www.te.com)