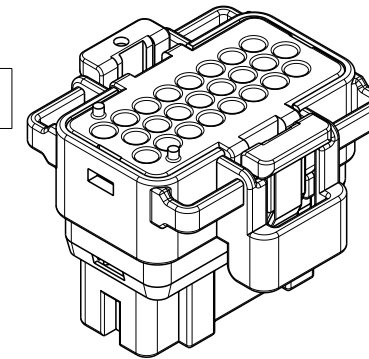
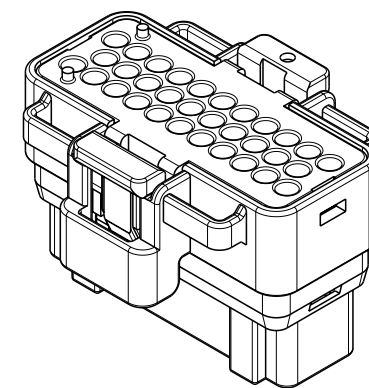


P	LTR	DESCRIPTION	DATE	DWN	APVD
F	I	REVISED PER ECR-08-006840	17MAR2008	JM	JM
G		REV PER ECO-10-0221116	29OCT2010	DD	DR
G	I	REVISED PER ECO-20-012739	29SEP2020	AP	GK

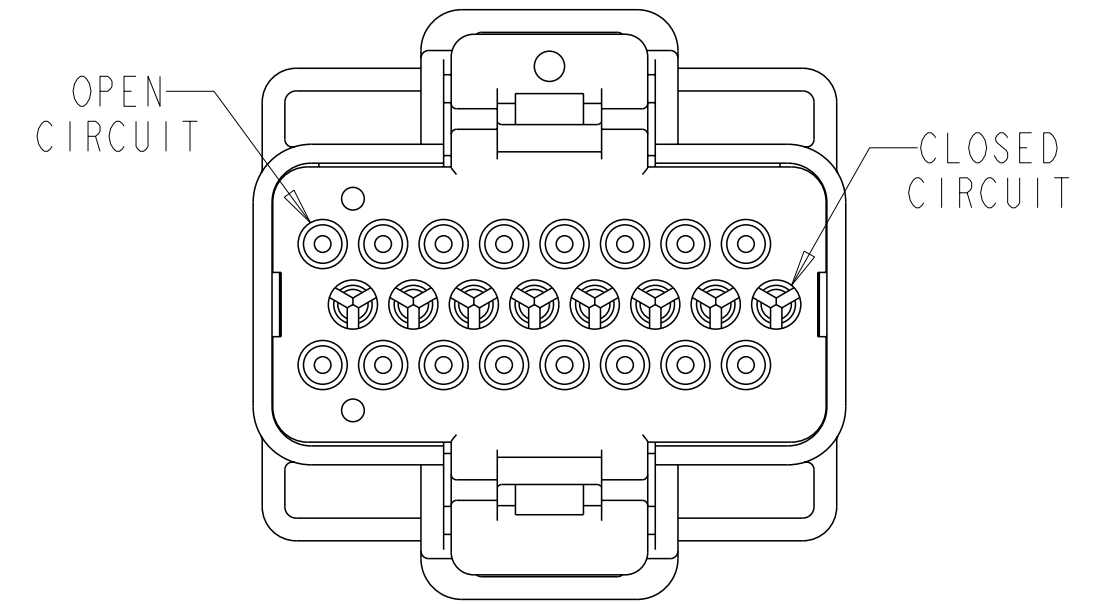
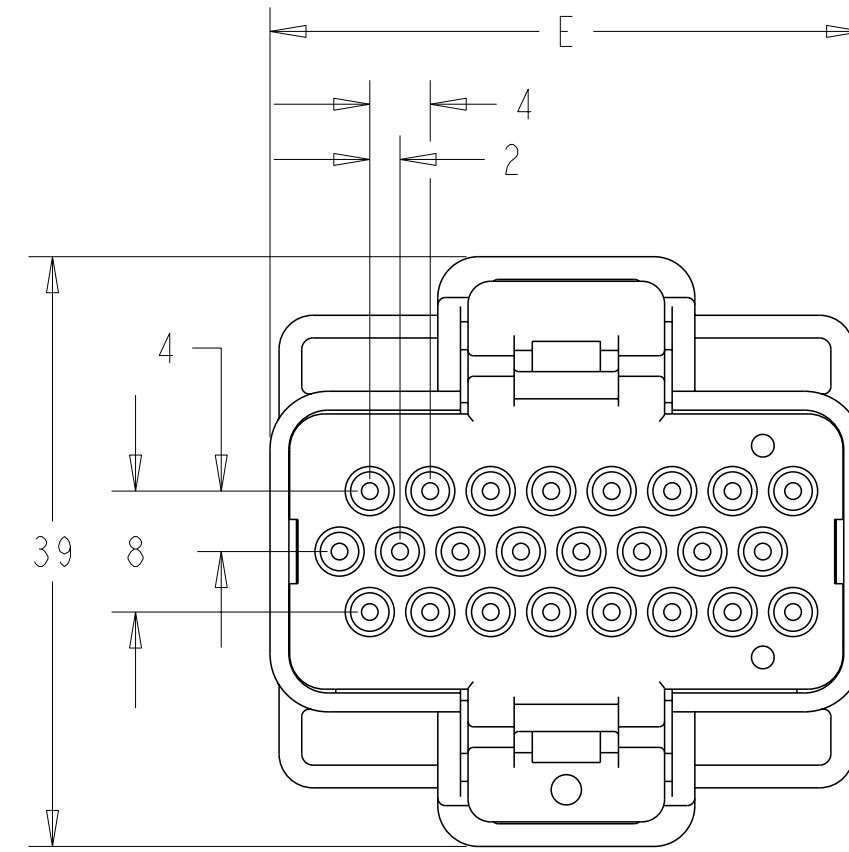
TE NO.	POSN	A	B	C	D	E	F	COLOR	
1456315-1	24	7.50	12.00	9.00	9.00	39.2	35,5	BLACK	
1456315-2	24	7.50	11.00	11.00	9.00	39.2	35,5	BLACK	
1456315-3	24	7.50	11.00	11.00	12.00	39.2	35,5	GREY	
1456315-4	24	9.00	11.00	11.00	9.00	39.2	35,5	GREY	
1456315-5	32	12.00	12.00	12.00	9.00	49.2	45.5	BLACK	
1456315-6	32	12.00	12.00	12.00	9.00	49.2	45.5	BLACK	
1456315-7	24	7.50	11.00	11.00	12.00	39.2	35,5	GREY	
1456315-8	24	9.00	11.00	11.00	9.00	39.2	35,5	GREY	
1456315-9	24	7.50	11.00	11.00	12.00	39.2	35,5	GREY	
1-1456315-0	24	7.50	11.00	11.00	12.00	39.2	35,5	GREY	OBSOLETE
1-1456315-1	24	9.00	11.00	11.00	9.00	39.2	35,5	GREY	
1-1456315-2	24	9.00	11.00	11.00	9.00	39.2	35,5	GREY	
1-1456315-3	24	7.50	12.00	9.00	9.00	39.2	35,5	BLACK	
1-1456315-4	24	7.50	11.00	11.00	9.00	39.2	35,5	BLACK	
1-1456315-5	24	7.50	11.00	11.00	12.00	39.2	35,5	GREY	
1-1456315-6	24	9.00	11.00	11.00	9.00	39.2	35,5	GREY	
1-1456315-7	24	9.00	11.00	11.00	9.00	39.2	35,5	GREY	
1-1456315-8	24	7.50	11.00	11.00	12.00	39.2	35,5	GREY	
1-1456315-9	24	9.00	11.00	11.00	9.00	39.2	35,5	GREY	OBSOLETE
2-1456315-0	32	12.00	12.00	12.00	9.00	49.2	45.5	BLACK	



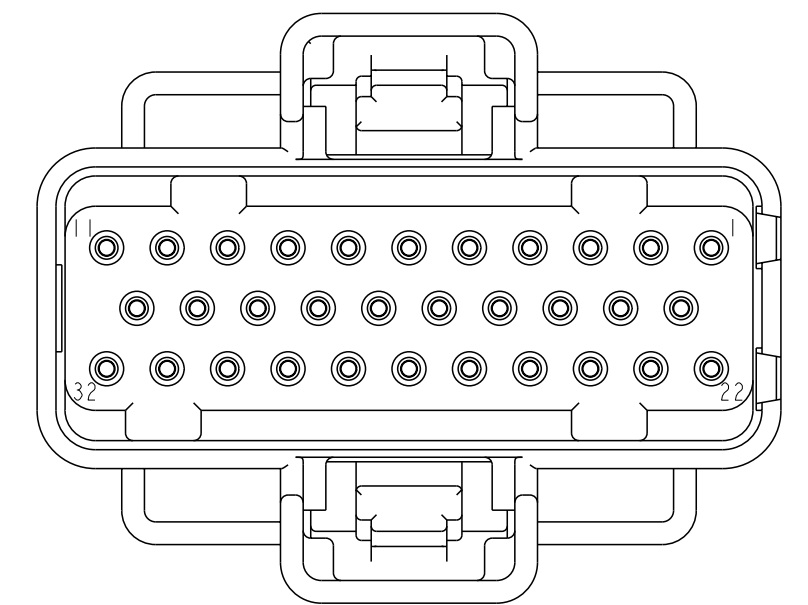
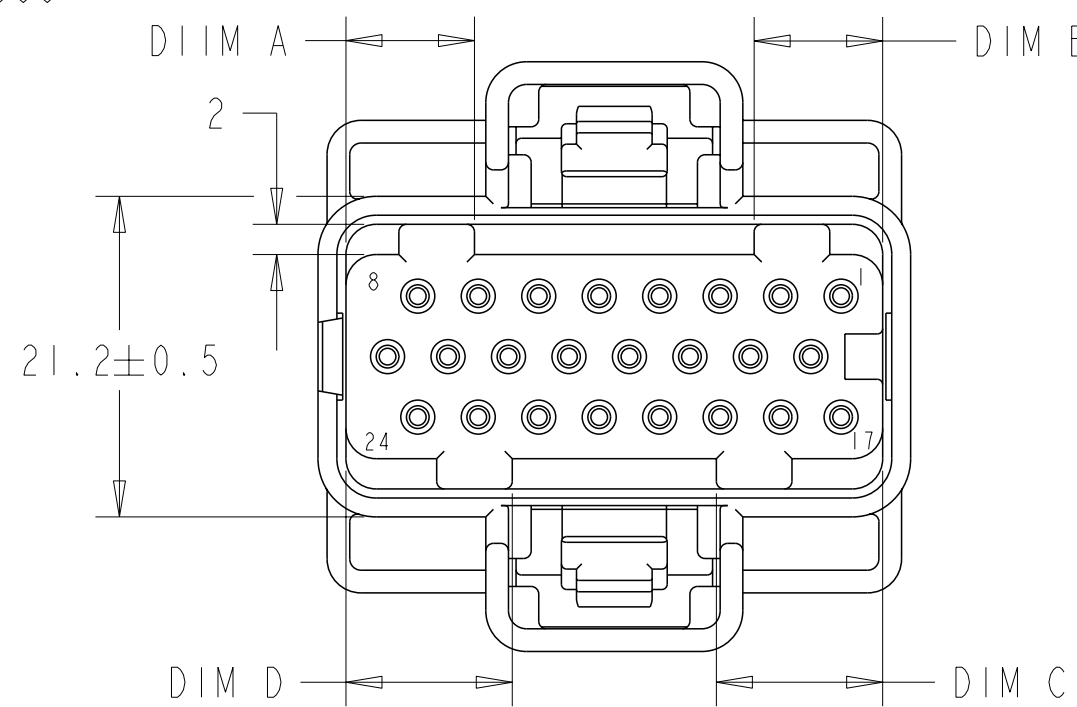
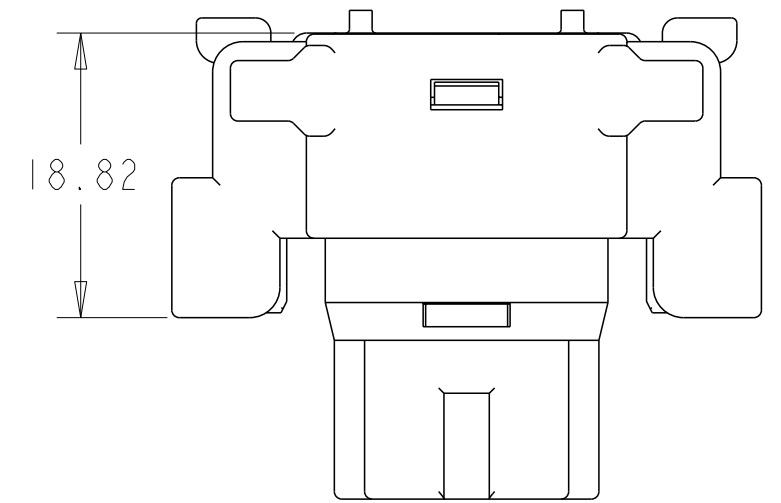
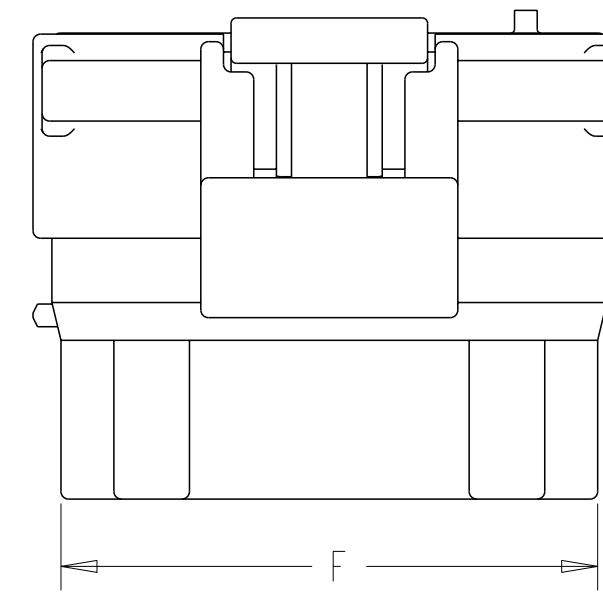
24 POSITION ASSY  
SCALE 1.000



32 POSITION ASSY  
SCALE 1.000



1456315-1 DISPLAYED



Part Number	SIZE	Complexity Matrix Position Number																																Not Applicable			
		1	2	3	4	5	6	7	8	9	10	11	12	13	14	15	16	17	18	19	20	21	22	23	24	25	26	27	28	29	30	31	32	Closed Position			
1456315-1	24																																			X	
1456315-2	24																																			X	
1456315-3	24																																			X	
1456315-4	24																																			X	
1456315-5	32																																			X	
1456315-6	32																																			X	
1456315-7	24																																			X	
1456315-8	24																																			X	
1456315-9	24																																			X	
1-1456315-0	24																																			X	OBSOLETE
1-1456315-1	24																																			X	
1-1456315-2	24																																			X	
1-1456315-3	24																																			X	
1-1456315-4	24																																			X	
1-1456315-5	24																																			X	
1-1456315-6	24																																			X	
1-1456315-7	24																																			X	
1-1456315-8	24																																			X	
1-1456315-9	24																																			X	OBSOLETE
2-1456315-0	32																																			X	

Recommended Terminal	
TE P/N	AWG
0-1437284-9	20-18
1-1437284-0	16

THIS DRAWING IS A CONTROLLED DOCUMENT.

DIMENSIONS: mm	TOLERANCES UNLESS OTHERWISE SPECIFIED:	DWN R. HARDISON 08 JUN2001	
	0 PLC ±1.0	CHK R. HARDISON 08 JUN2001	
	1 PLC ±0.3	APVD R. HARDISON 08 JUN2001	
	2 PLC ±0.15	PRODUCT SPEC	
	3 PLC ±0.070	APPLICATION SPEC	
	4 PLC ±0.050	WEIGHT	
	ANGLES ±2°	CUSTOMER DRAWING	
	FINISH		

NAME			RESTRICTED TO		
SOCKET ASSY, FOR 1.0mm MIP CONN SYS					
SELECTIVELY LOADED STRAIN RELIEF					
SIEMENS AUTOMOTIVE					
SIZE	CAGE CODE	DRAWING NO			
A2	00779	C-1456315			
SCALE 2.000			SHEET 1 OF 1		
			REV G1		