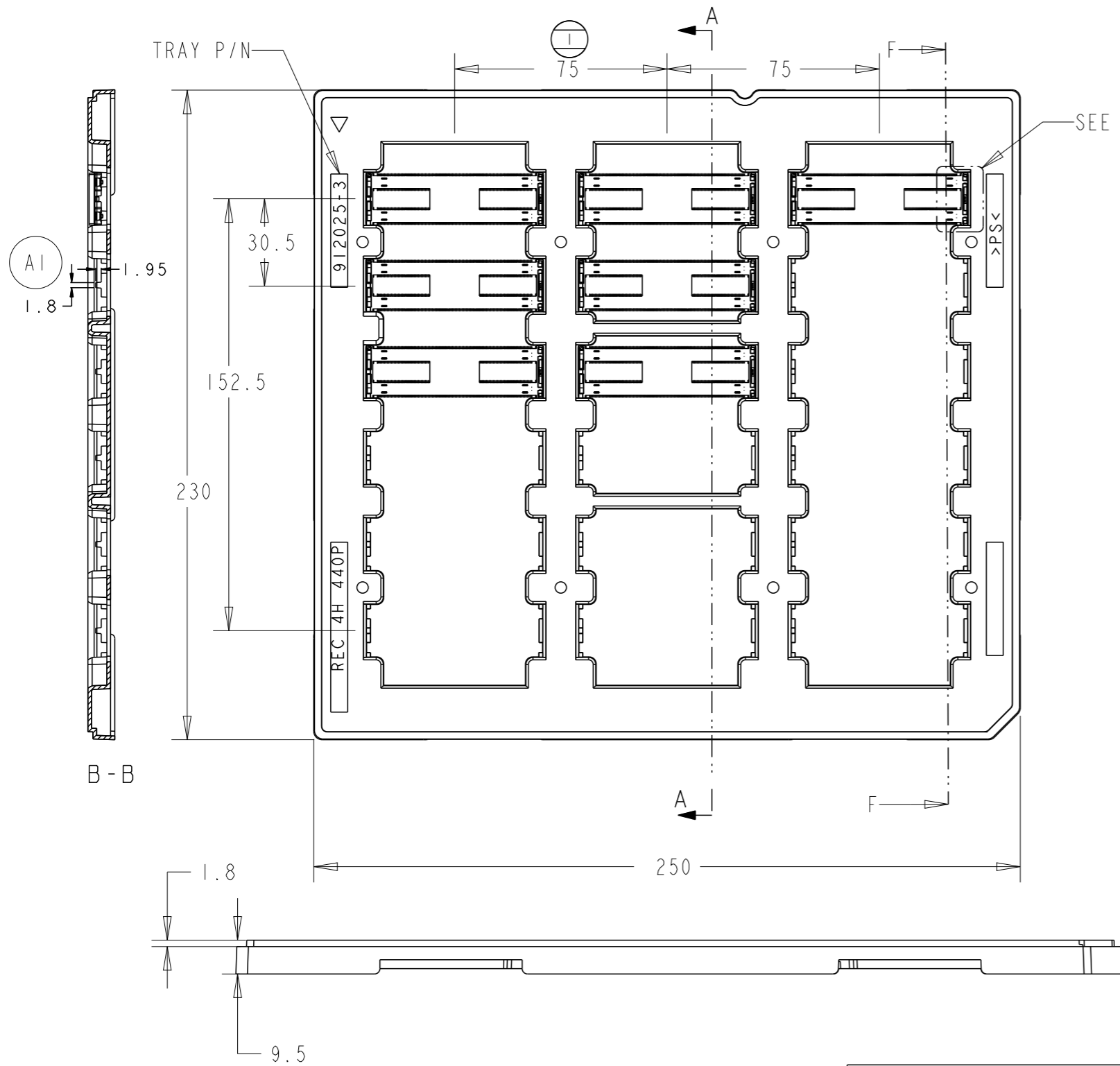



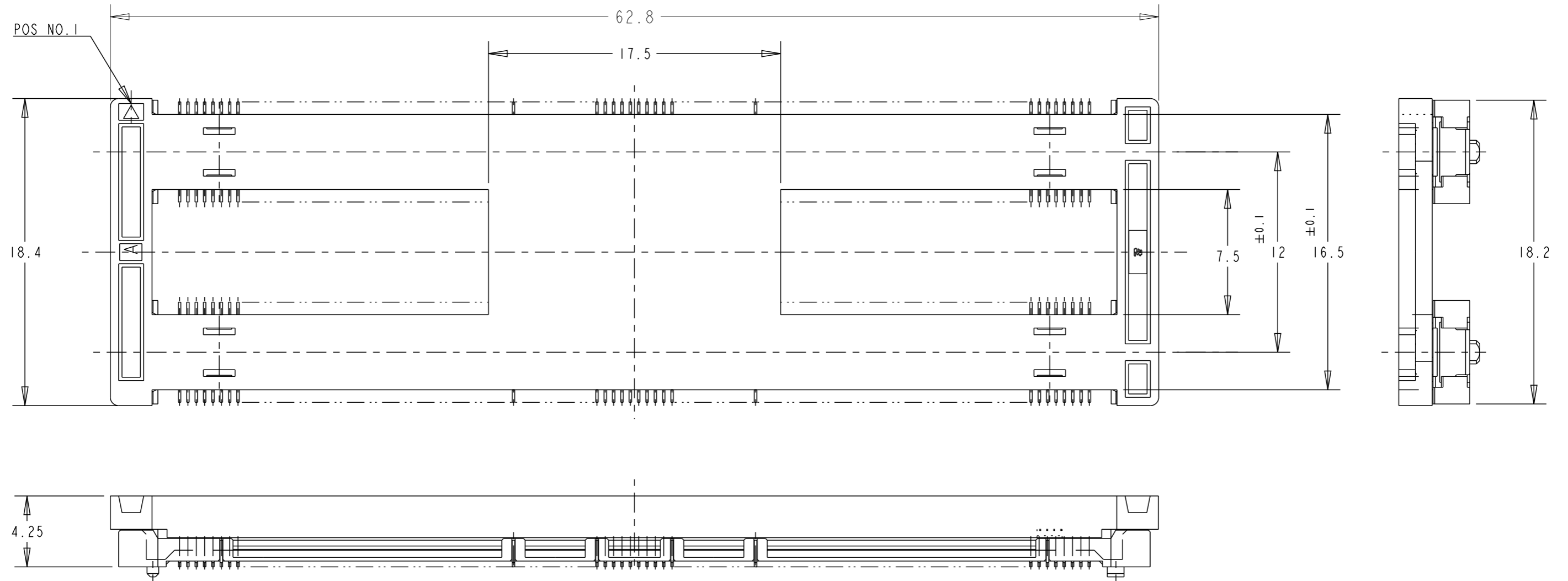
P	LTR	DESCRIPTION	DATE	DWN	APVD
A		FORMAL RELEASE	13OCT2020	A.L	H.L
A1		PER PCN-22-157376	11NOV2022	MC	HL
B		ADD NEW PN	31JAN2023	M.C	H.L





B	30u"	2369315-2
	8u"	2369315-1
MATING ZONE PRECIOUS PLATING THICKNESS		P/N

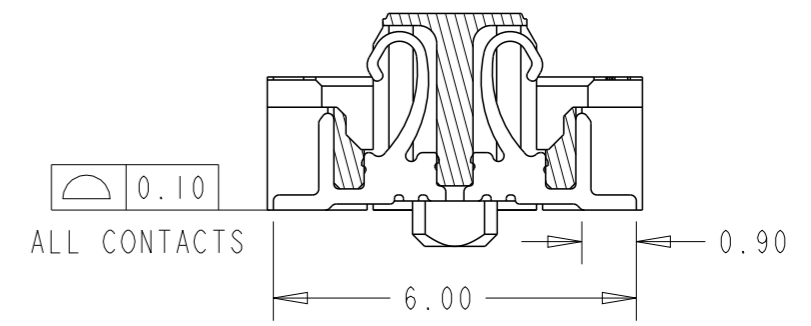
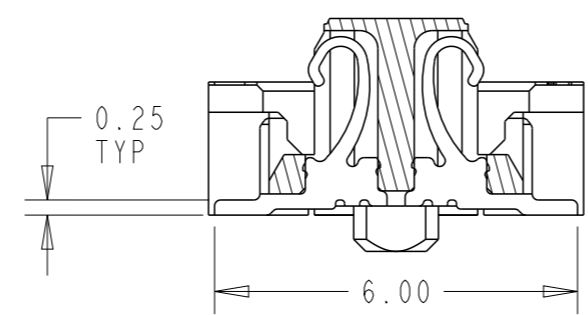
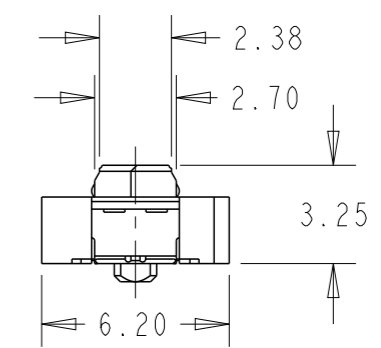
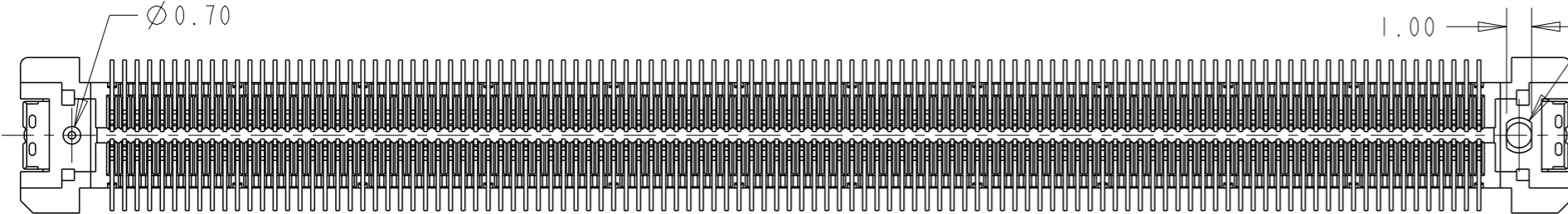
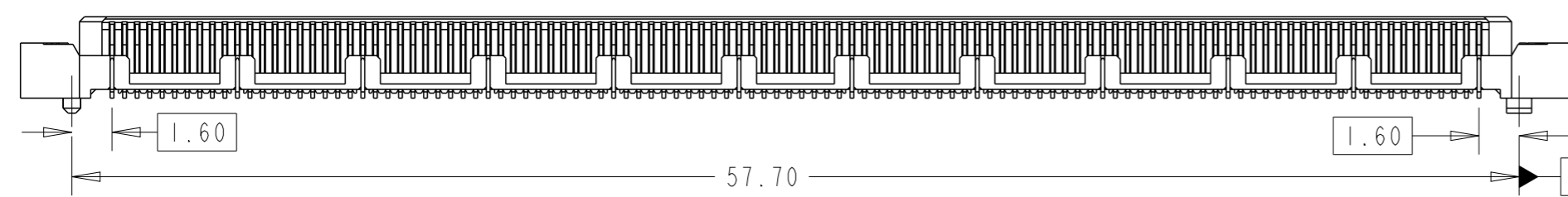
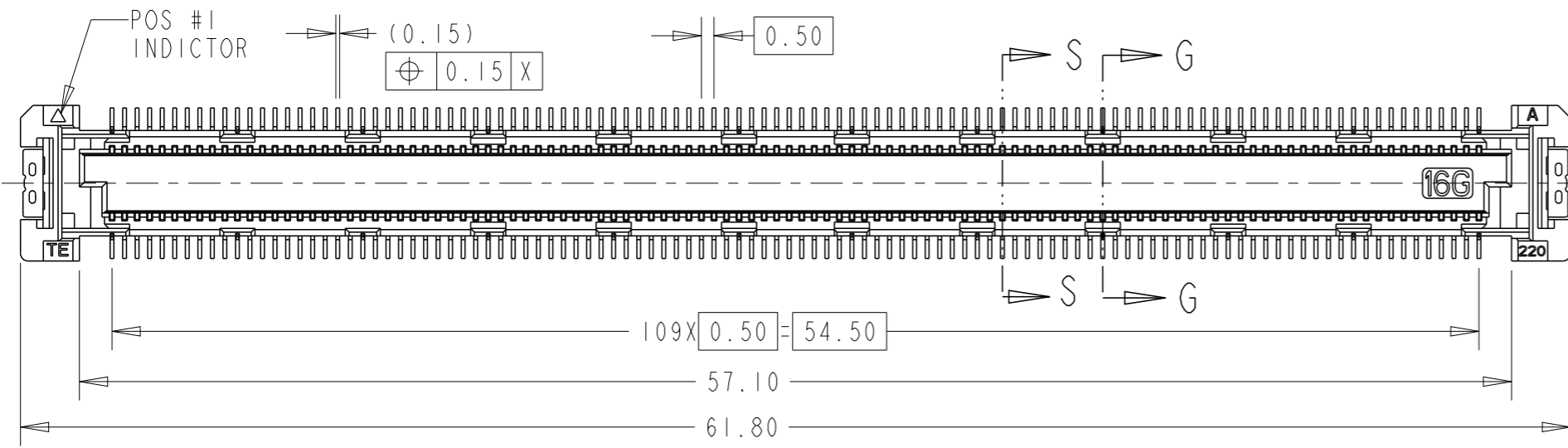
THIS DRAWING IS A CONTROLLED DOCUMENT.		DWN	Art Lin	24FEB2020	 TE Connectivity
DIMENSIONS: mm		CHK	HOPE LU	26FEB2020	
TOLERANCES UNLESS OTHERWISE SPECIFIED:		APVD	HOPE LU	26FEB2020	
0 PLC ±0.5 1 PLC ±0.1 2 PLC ±0.05 3 PLC ±0.025 4 PLC ±0.0100 ANGLES ±3		PRODUCT SPEC	108-32658	NAME	
MATERIAL		APPLICATION SPEC	114-115003	SIZE	A3
SEE NOTE 1		FINISH	-	CAGE CODE	00779
SEE NOTE 2		WEIGHT	-	DRAWING NO	2369315
CUSTOMER DRAWING		SCALE 1:1		SHEET 1 OF 4	REV B

P	LTR	DESCRIPTION	DATE	DWN	APVD
-	-	SEE SHEET 1	-	-	-



THIS DRAWING IS A CONTROLLED DOCUMENT.		DWN	24FEB2020		 TE Connectivity				
		CHK	Art Lin 26FEB2020						
		APVD	HOPE LU 26FEB2020						
		PRODUCT SPEC	HOPE LU 26FEB2020						
DIMENSIONS: mm		TOLERANCES UNLESS OTHERWISE SPECIFIED:		NAME					
		0 PLC ± 0.5		4H RECEPTACLE ASSY 440POS					
		1 PLC ± 0.1		FH 0.5 BTB 16Gbps					
		2 PLC ± 0.05		SIZE		CAGE CODE	DRAWING NO	RESTRICTED TO	
		3 PLC ± 0.025		114-115003		A3	00779	©-2369315	-
		4 PLC ± 0.0100		FINISH		SCALE 1:1 SHEET 2 OF 4 REV B			
MATERIAL		-		CUSTOMER DRAWING					
SEE NOTE 1		SEE NOTE 2							

P	LTR	DESCRIPTION	DATE	DWN	APVD
-	-	SEE SHEET 1	-	-	-

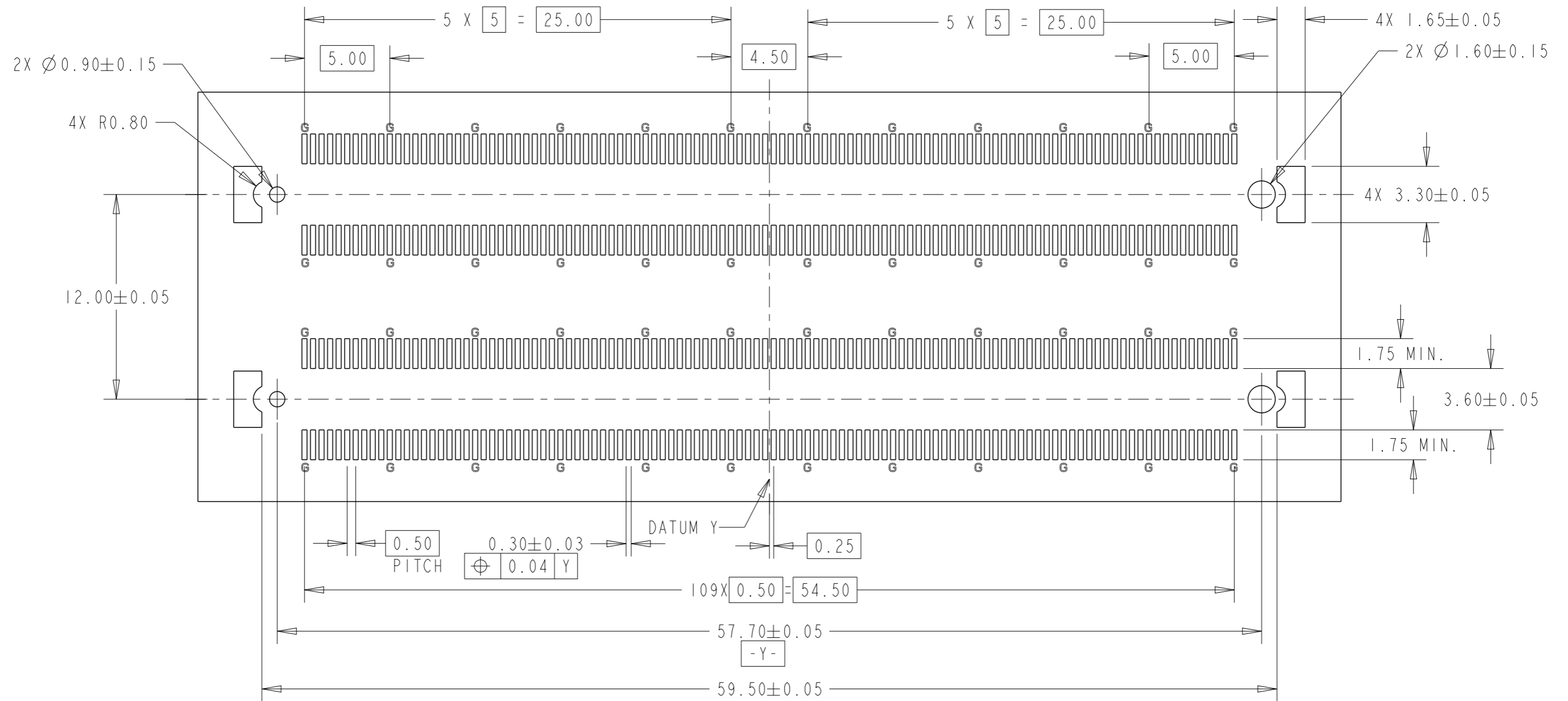


NOTES:

- MATERIAL  
HOUSING : HIGH TEMP THERMO PLASTIC UL94V-0  
CONTACT : COPPER ALLOY  
SOLDER PEG : COPPER ALLOY
- FINISH  
UNDERPLATED : 1.27µm MIN. NICKEL ALL OVER  
CONTACT MATING AREA : MEETS THE PERFORMANCE REQUIREMENTS OF TE CONNECTIVITY PRODUCT SPECIFICATION 108-32658.  
SOLDER AREA : GOLD FLASH
- CAP COLOR IS BLACK.

THIS DRAWING IS A CONTROLLED DOCUMENT.		DWN Art Lin 24FEB2020		
		CHK HOPE LU 26FEB2020		
		APVD HOPE LU 26FEB2020		
		PRODUCT SPEC 108-32658		
DIMENSIONS: mm		APPLICATION SPEC 114-115003		NAME 4H RECEPTACLE ASSY 440POS FH 0.5 BTB 16Gbps
TOLERANCES UNLESS OTHERWISE SPECIFIED:		WEIGHT -		SIZE A3
0 PLC ±0.5 1 PLC ±0.1 2 PLC ±0.05 3 PLC ±0.025 4 PLC ±0.0100 ANGLES ±3		CUSTOMER DRAWING		CAGE CODE 00779
MATERIAL - SEE NOTE 1		FINISH - SEE NOTE 2		DRAWING NO. 2369315
		SCALE 1:1		RESTRICTED TO -
		SHEET 3 OF 4		REV B

P	LTR	DESCRIPTION	DATE	DWN	APVD
-	-	SEE SHEET 1	-	-	-



SCALE 4:1  
REFERENCE P.C. BOARD LAYOUT  
G:Ground

THIS DRAWING IS A CONTROLLED DOCUMENT.		DWN Art Lin	24FEB2020	<b>STE</b> TE Connectivity
DIMENSIONS: mm		CHK HOPE LU	26FEB2020	
		APVD HOPE LU	26FEB2020	
		PRODUCT SPEC 108-32658		
MATERIAL - SEE NOTE 1		FINISH - SEE NOTE 2		NAME 4H RECEPTACLE ASSY 440POS FH 0.5 BTB 16Gbps
APPLICATION SPEC 114-115003		SIZE A3	CAGE CODE 00779	DRAWING NO G-2369315
CUSTOMER DRAWING		RESTRICTED TO -	SCALE 1:1	SHEET 4 OF 4
		WEIGHT -		REV B